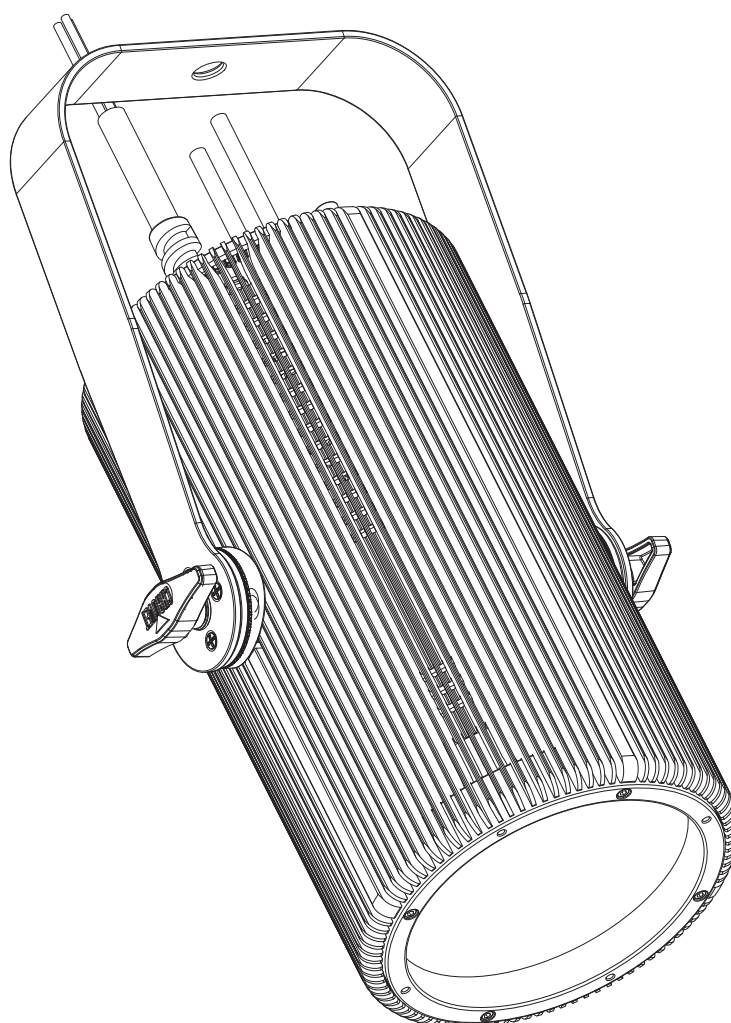


Ovation

H-605FC

Quick Reference Guide

| | |
|------------|----|
| English | EN |
| Español | ES |
| Français | FR |
| Nederlands | NL |




CHAUVET
PROFESSIONAL

About This Guide

The Ovation H-605FC Quick Reference Guide (QRG) has basic product information such as connection, mounting, menu options, and DMX values. Download the User Manual from www.chauvetprofessional.com for more details.

Disclaimer

The information and specifications contained in this QRG are subject to change without notice.

LIMITED WARRANTY

FOR WARRANTY REGISTRATION AND COMPLETE TERMS AND CONDITIONS PLEASE VISIT OUR WEBSITE.

For Customers in the United States and Mexico: www.chauvetlighting.com/warranty-registration.

For Customers in the United Kingdom, Republic of Ireland, Belgium, the Netherlands, Luxembourg, France, and Germany: www.chauvetlighting.eu/warranty-registration.

Chauvet warrants that this product shall be free from defects in material and workmanship under normal use, for the period specified in, and subject to the exclusions and limitations set forth in the full limited warranty on our website. This warranty extends only to the original purchaser of the product and is not transferable. To exercise rights under this warranty, you must provide proof of purchase in the form of an original sales receipt from an authorized dealer that shows the product name and date of purchase. **THERE ARE NO OTHER EXPRESS OR IMPLIED WARRANTIES.** This warranty gives you specific legal rights. You may also have other rights that vary from state to state and country to country. This warranty is valid only in the United States, United Kingdom, Republic of Ireland, Belgium, the Netherlands, Luxembourg, France, Germany and Mexico. For warranty terms in other countries, please consult your local distributor.

Safety Notes

- DO NOT open this product. It contains no user-serviceable parts.
- To eliminate unnecessary wear and improve its lifespan, during periods of non-use completely disconnect the product from power via breaker or by unplugging it.
- DO NOT look at the light source when the product is on.
- CAUTION: This product's housing may be hot when lights are operating.
- Mount this product in a location with adequate ventilation, at least 20 in (50 cm) from adjacent surfaces.
- DO NOT operate this product outdoors or in any location where dust, excessive heat, water, or humidity may affect it. (IP20)
- DO NOT leave any flammable material within 50 cm of this product while operating or connected to power.
- CAUTION: When transferring product from extreme temperature environments, (e.g., cold truck to warm humid ballroom) condensation may form on the internal electronics of the product. To avoid causing a failure, allow product to fully acclimate to the surrounding environment before connecting it to power.
- USE a safety cable when mounting this product overhead.
- DO NOT operate this product if the housing, lenses, or cables appear damaged.
- DO NOT connect this product to a dimmer or rheostat.
- ONLY connect this product to a grounded and protected circuit.
- ONLY use the hanging/mounting bracket to carry this product.
- In the event of a serious operating problem, stop using immediately.
- The maximum ambient temperature is 113 °F (45 °C). Do not operate this product at higher temperatures.

Contact

Outside the U.S., United Kingdom, Ireland, Mexico, or Benelux, contact your distributor to request support or return a product. From inside the U.S., UK, Ireland, Mexico, or Benelux, use the information in [Contact Us](#) at the end of this QRG.

What is Included

- Ovation H-605FC
- 65°, 45° and 25° lenses
- 80° Filter
- Egg Crate
- Quick Reference Guide

AC Power

This product has an auto-ranging power supply that can work with an input voltage range of 100–240 VAC, 50/60 Hz.

AC Plug

| Connection | Wire (U.S.) | Wire (Europe) | Screw Color |
|------------|--------------|---------------|--------------|
| AC Live | Black | Brown | Yellow/Brass |
| AC Neutral | White | Blue | Silver |
| AC Ground | Green/Yellow | Green/Yellow | Green |

Replacing The Fuse

1. Disconnect this product from power.
2. Using a flat-head screwdriver, unscrew the fuse holder cap from the housing.
3. Remove blown fuse and replace with a good fuse of the same type and rating.
4. Screw the fuse holder cap back in place and reconnect power.



To eliminate unnecessary wear and improve its lifespan, during periods of non-use completely disconnect the product from power via breaker or by unplugging it.

DMX Linking

The Ovation H-605FC will work with a DMX controller using a 5-pin DMX serial or a hard wire connection. A DMX Primer is available from www.chauvetprofessional.com.

DMX Connection

The Ovation H-605FC uses a 5-pin DMX or a hard wire data connection for its DMX personalities: **1, 3, 5, 7, 10, 12, 13, 15**, or **HSV**. See the User Manual for information about connecting and configuring the product for DMX operation.

Master/Slave Connection

The Ovation H-605FC uses the DMX data connection for its Master/Slave mode. See the User Manual for information about how to connect and configure the product for master/slave operation.

RDM (Remote Device Management)

Remote Device Management, or RDM, is a standard for allowing DMX-enabled devices to communicate bi-directionally along existing DMX cabling. Check the DMX controller's User Manual or with the manufacturer as not all DMX controllers have this capability. The Ovation H-605FC supports RDM protocol that allows feedback to make changes to menu map options. Download the User Manual from www.chauvetprofessional.com for more details.

Wireless Operation

In optimal conditions, the Ovation H-605FC can operate up to 300 m (900 ft) away from the W-DMX transmitter. The W-DMX receiver in the Ovation H-605FC must be paired with the W-DMX transmitter for wireless operation.

Initial Setup

1. Turn the W-DMX transmitter on.
2. Connect the W-DMX transmitter to a DMX controller.
3. Place the Ovation H-605FC within 300 m from the W-DMX transmitter. Disconnect any DMX cable from the Ovation H-605FC.
4. Turn the Ovation H-605FC on.

Configuration

1. From the Ovation H-605FC control panel, go to **DMX Address**.
2. Select the start address, as with any other DMX compatible product.
3. Go to **Wireless Setting > Receive On/Off**.
4. Select **On**. (The Signal Strength Indicator will show a ? in front of the bars)
5. Press the reset button on the W-DMX transmitter. (The Signal Strength Indicator on the Ovation H-605FC will show a 4 in front of the bars for 3 seconds while a connection is established.)

Product Pairing

If the Ovation H-605FC has already been paired with the W-DMX transmitter, the Signal Strength Indicator in the middle of the LCD screen will show the strength of the signal. In this case, the Ovation H-605FC is ready to work in Wireless mode. Pairing the Ovation H-605FC and a new W-DMX transmitter

1. From the Ovation H-605FC's control panel, go to **Wireless Setting**.
2. Select **Receive Reset**. The Signal Strength Indicator on the Ovation H-605FC will show a ? in front of the bars.
3. From the W-DMX transmitter, press **<RESET>** (the Signal Indicator on the transmitter will flash).
4. Once the transmitter has found the Ovation H-605FC, the Signal indicator on the W-DMX transmitter will illuminate solid.
5. The Signal Strength Indicator in the middle of the LCD screen on the Ovation H-605FC will show the strength of the signal.



W-DMX operation can be interrupted or inhibited by liquid masses between the transmitter and receiver such as water, snow, or people. For best results, keep the area between the transmitter and receiver clear of any liquid mass.

Virtual Color Wheel

The Ovation H-605FC includes a feature called the Virtual Color Wheel (VCW). This feature is available as a stand-alone control mode for manual use and also as a control channel in select DMX personalities. Over 30 pre-mixed colors, custom blended by our engineers, are available to call up for easier programming.

The DMX values used to mix these colors are provided below. You may adjust the overall intensity of the Ovation fixture in order to more closely replicate colors you are familiar with. A chart is available on our website

www.chauvetprofessional.com to compare our pre-mixed colors with popular gel colors. This chart is for comparison purposes only and is not a representation that our pre-mixed colors match any of the gel colors listed.

Color Chart

| DMX Channel Value | Display Readout | Red Value | Green Value | Blue Value | Amber Value | Lime Value |
|-------------------|-----------------------------|-----------|-------------|------------|-------------|------------|
| 000 ⇄ 005 | -- | 000 | 000 | 000 | 000 | 000 |
| 006 ⇄ 013 | C3050 - Md Yellow | 233 | 163 | 020 | 123 | 255 |
| 014 ⇄ 021 | C3040 - Lt Yellow | 224 | 158 | 047 | 255 | 231 |
| 022 ⇄ 028 | C3240 - Amb Yellow | 180 | 060 | 000 | 245 | 255 |
| 029 ⇄ 035 | C2340 - VLt Amber | 245 | 107 | 081 | 255 | 213 |
| 036 ⇄ 043 | C2040 - Lt Amber | 230 | 130 | 062 | 255 | 155 |
| 044 ⇄ 051 | C2050 - Md Amber | 255 | 000 | 025 | 255 | 194 |
| 052 ⇄ 059 | C2060 - Dk Amber | 255 | 000 | 024 | 255 | 150 |
| 060 ⇄ 067 | C1050 - Lt Red | 255 | 037 | 027 | 030 | 038 |
| 068 ⇄ 075 | C1080 - Md Red | 255 | 004 | 017 | 000 | 000 |
| 076 ⇄ 083 | C1020 - NC Pink | 238 | 135 | 129 | 255 | 255 |
| 084 ⇄ 091 | C1030 - Md Pink | 255 | 131 | 120 | 255 | 195 |
| 092 ⇄ 099 | C1630 - Dk Pink | 250 | 165 | 123 | 255 | 210 |
| 100 ⇄ 107 | C1250 - Md Red Amber | 255 | 000 | 041 | 195 | 055 |
| 108 ⇄ 115 | C1060 - Dk Red Amber | 255 | 000 | 045 | 120 | 030 |
| 116 ⇄ 121 | C1650 - Magenta | 255 | 050 | 115 | 255 | 115 |
| 122 ⇄ 130 | C6170 - Dk Magenta | 255 | 035 | 117 | 000 | 000 |
| 131 ⇄ 138 | C6020 - Lt Lavender | 127 | 122 | 142 | 251 | 255 |
| 139 ⇄ 146 | C5030 - Lt Blue | 000 | 255 | 197 | 100 | 255 |
| 147 ⇄ 154 | C5020 - VLt Blue | 158 | 255 | 189 | 000 | 255 |
| 155 ⇄ 162 | C5430 - Lt Blue 2 | 000 | 255 | 180 | 000 | 243 |
| 163 ⇄ 170 | C5070 - Blue | 043 | 255 | 210 | 043 | 036 |
| 171 ⇄ 178 | C5050 - Md Blue | 000 | 255 | 218 | 000 | 181 |
| 179 ⇄ 186 | C5060 - Dk Blue | 000 | 210 | 206 | 000 | 118 |
| 187 ⇄ 194 | C5690 - Indigo | 065 | 000 | 210 | 040 | 055 |
| 195 ⇄ 202 | C5080 - VDk Blue | 000 | 203 | 230 | 000 | 040 |
| 203 ⇄ 210 | C5081 - VDk Blue 2 | 040 | 199 | 240 | 000 | 045 |
| 211 ⇄ 218 | C4370 - Yel Green | 027 | 255 | 028 | 016 | 104 |
| 219 ⇄ 226 | C4070 - Green | 049 | 255 | 055 | 120 | 090 |
| 227 ⇄ 234 | C4550 - Turquoise | 060 | 230 | 109 | 000 | 245 |
| 235 ⇄ 242 | C4560 - Aqua | 020 | 240 | 126 | 036 | 255 |
| 243 ⇄ 250 | C4570 - Blue Green | 000 | 255 | 079 | 030 | 053 |
| 251 ⇄ 255 | -- | 000 | 000 | 000 | 000 | 000 |



Note: The colors above are simulated renditions of the color output produced as compared to other similar incandescent products. Chauvet makes no guarantee of the color output accuracy.

Color Temperature Chart

| DMX Channel Value | Display Readout | Red Value | Green Value | Blue Value | Amber Value | Lime Value |
|-------------------|-----------------|-----------|-------------|------------|-------------|------------|
| 000 ⇄ 005 | -- | 000 | 000 | 000 | 000 | 000 |
| 006 ⇄ 025 | 2800K | 255 | 199 | 107 | 253 | 255 |
| 026 ⇄ 050 | 3200K | 253 | 247 | 129 | 255 | 255 |
| 051 ⇄ 075 | 3500K | 234 | 255 | 141 | 253 | 255 |
| 076 ⇄ 100 | 4000K | 204 | 255 | 156 | 243 | 255 |
| 101 ⇄ 125 | 4500K | 181 | 248 | 166 | 224 | 255 |
| 126 ⇄ 150 | 5000K | 160 | 255 | 180 | 241 | 255 |
| 151 ⇄ 175 | 5600K | 138 | 255 | 191 | 241 | 255 |
| 176 ⇄ 200 | 6000K | 147 | 255 | 193 | 203 | 255 |
| 201 ⇄ 225 | 6500K | 142 | 251 | 197 | 187 | 255 |
| 226 ⇄ 255 | -- | 000 | 000 | 000 | 000 | 000 |

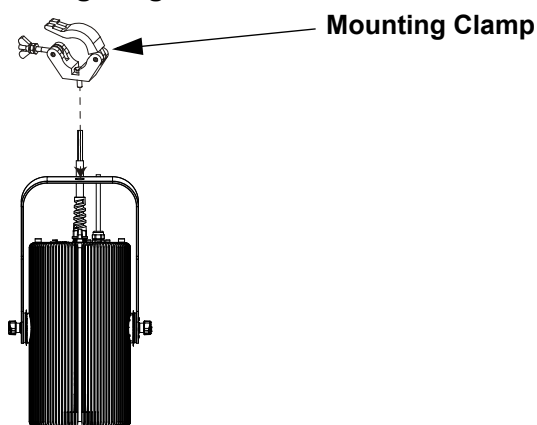


Note: The color temperatures above are simulated renditions of the color output produced as compared to a tungsten lamp at the specified color temperature. Chauvet makes no guarantee of the color output accuracy.

Mounting

Before mounting this product, read the [Safety Notes](#). Use at least one mounting point per product. Make sure the mounting clamps are capable of supporting the weight of the product. For our Chauvet line of mounting clamps, go to <http://trusst.com/productcategory/truss-clamps/>

Product Mounting Diagram



Overhead Mounting



Pendent Mounting

Control Panel Description

| Button | Function |
|---------|--|
| <MENU> | Exits from the current menu or function |
| <ENTER> | Enables the currently displayed menu or sets the currently selected value into the selected function |
| <UP> | Navigates upwards through the menu list or increases the numeric value when in a function |
| <DOWN> | Navigates downwards through the menu list or decreases the numeric value when in a function |

Menu Map

| Main Level | Programming Levels | | Description |
|-------------|--------------------|---------------------|--|
| DMX Address | Address | 001–510* | Selects starting address (*highest channel restricted to personality chosen) |
| DMX Channel | 1CH | Virtual Color Wheel | 1-channel: RGBAL, virtual color wheel, color temperature |
| | | Color Temperature | |
| | | Manual Color Mixer | |
| | | 3CH | 3-channel: dimmer, virtual color wheel, color temperature |
| | | 5CH | 5-channel: RGBAL |

QUICK REFERENCE GUIDE



EN

| Main Level | Programming Levels | | | Description | |
|--------------------------------------|--------------------------------------|----------------------|---------------|---|---|
| DMX Channel | 7CH | | | 7-channel: RGBAL, dimmer, strobe | |
| | 10CH | | | 10-channel: 16-bit dimmer, RGBAL, virtual color wheel, color temperature, strobe | |
| | 12CH | | | 12-channel: RGBAL, dimmer, virtual color wheel, color temperature, strobe, auto program, auto speed, dimmer speed | |
| | 13CH | | | 13-channel: 16-bit RGBAL and dimmer, strobe | |
| | 15CH | | | 15-channel: 16-bit RGBAL and dimmer, virtual color wheel, color temperature, strobe | |
| | HSV | | | 3-channel: hue, saturation, value | |
| VCW (Virtual Color Wheel) | VCW (Virtual Color Wheel) | C3050 - Md Yellow | Dimmer | 000-255 | Virtual Color Wheel simulates the output of each gel color. Refer to the Color Chart section for specific values. |
| | | C3040 - Lt Yellow | | | |
| | | C3240 - Amb Yellow | | | |
| | | C2340 - VLt Amber | | | |
| | | C2040 - Lt Amber | | | |
| | | C2050 - Md Amber | | | |
| | | C2060 - Dk Amber | | | |
| | | C1050 - Lt Red | | | |
| | | C1080 - Md Red | | | |
| | | C1020 - NC Pink | | | |
| | | C1030 - Md Pink | | | |
| | | C1630 - Dk Pink | | | |
| | | C1250 - Md Red Amber | | | |
| | | C1060 - Dk Red Amber | | | |
| | | C1650 - Magenta | | | |
| | | C6170 - Dk Magenta | | | |
| | | C6020 - Lt Lavender | | | |
| | | C5030 - Lt Blue | | | |
| | | C5020 - VLt Blue | | | |
| | | C5430 - Lt Blue 2 | | | |
| | | C5070 - Blue | | | |
| | | C5050 - Md Blue | | | |
| | | C5060 - Dk Blue | | | |
| | | C5690 - Indigo | | | |
| | | C5080 - VDk Blue | | | |
| | | C5081 - VDk Blue 2 | | | |
| | | C4370 - Yel Green | | | |
| | | C4070 - Green | | | |
| | | C4550 - Turquoise | | | |
| | | C4560 - Aqua | | | |
| | | C4570 - Blue Green | | | |
| | CCT (Color Temperature) | 2800K | | | Preset white color temperatures. Emulates a tungsten lamp at the specified color temperature. Refer to the Color Temperature Chart section for specific values. |
| | | 3200K | | | |
| | | 3500K | | | |
| | | 4000K | | | |
| | | 4500K | | | |
| | | 5000K | | | |
| | | 5600K | | | |
| | | 6000K | | | |
| | | 6500K | | | |

| Main Level | Programming Levels | | | Description |
|------------------------------|-----------------------------|---------|--|---|
| VCW (Virtual Color Wheel) | MCM (Manual Color Mixer) | Red | 000-255 | Combine red, green, blue, amber, and lime to make a custom color (0–100%) |
| | | Green | | |
| | | Blue | | |
| | | Amber | | |
| | | Lime | | |
| Auto Show | Auto 1 | 1-100 | Selects automatic programs and auto program speed | |
| | Auto 2 | | | |
| | Auto 3 | | | |
| | Auto 4 | | | |
| | Auto 5 | | | |
| Master/Slave | Master | | Master mode | |
| | Slave | | Slave mode | |
| Dimmer Mode | Off | | Linear dimmer | |
| | Dimmer 1 | | Fast dimmer curve | |
| | Dimmer 2 | | Medium dimmer curve | |
| | Dimmer 3 | | Slow dimmer curve | |
| White Balance | Manual | Off | Uses factory default white setting | |
| | | Red | Sets red LED maximum value | |
| | | Green | Sets green LED maximum value | |
| | | Blue | Sets blue LED maximum value | |
| | | Amber | Sets amber LED maximum value | |
| | | Lime | Sets lime LED maximum value | |
| LED Frequency | 600Hz | | Selects the PWM output frequency | |
| | 1200Hz | | | |
| | 2000Hz | | | |
| | 4000Hz | | | |
| | 6000Hz | | | |
| | 25KHz | | | |
| Back Light | On | | Display backlight always on | |
| | 10S | | Turns off display backlight after 10 sec of inactivity | |
| | 20S | | Turns off display backlight after 20 sec of inactivity | |
| | 30S | | Turns off display backlight after 30 sec of inactivity | |
| Wireless Setting | Receive On/Off | On | Turns on the wireless setting | |
| | | Off | Turns wireless DMX function off | |
| | Receive Reset | No | Resets and pairs the Ovation H-605FC with a wireless transmitter | |
| | | Yes | | |
| Emergency Mode | On | | Turns product on when DMX signal is lost | |
| | Off | | No action is taken when DMX signal is lost | |
| Information | Fixture Hours | ----- | Shows total product hours | |
| | Version | V__-V__ | Shows installed software version | |
| | UID | ----- | Shows product UID | |
| Factory Setting | No | | Reset to factory defaults | |
| | Yes | | | |

EN

DMX Values

15 Ch

| Channel | Function | Value | Percent/Setting |
|---------|---------------------|------------------------|--|
| 1 | Dimmer | 000 ⇄ 255 | 0-100% |
| 2 | Dimmer Fine | 000 ⇄ 255 | 0-100% |
| 3 | Red | 000 ⇄ 255 | 0-100% |
| 4 | Red Fine | 000 ⇄ 255 | 0-100% |
| 5 | Green | 000 ⇄ 255 | 0-100% |
| 6 | Green Fine | 000 ⇄ 255 | 0-100% |
| 7 | Blue | 000 ⇄ 255 | 0-100% |
| 8 | Blue Fine | 000 ⇄ 255 | 0-100% |
| 9 | Amber | 000 ⇄ 255 | 0-100% |
| 10 | Amber Fine | 000 ⇄ 255 | 0-100% |
| 11 | Lime | 000 ⇄ 255 | 0-100% |
| 12 | Lime Fine | 000 ⇄ 255 | 0-100% |
| 13 | Strobe | 000 ⇄ 010 011 ⇄ 255 | No function Strobe, slow to fast |
| 14 | Virtual Color Wheel | 000 ⇄ 255 | Refer to the Color Chart section for specific values |
| 15 | Color Temperature | 000 ⇄ 255 | Refer to the Color Temperature Chart section for specific values |

13 Ch

| Channel | Function | Value | Percent/Setting |
|---------|-------------|------------------------|-------------------------------------|
| 1 | Dimmer | 000 ⇄ 255 | 0-100% |
| 2 | Dimmer Fine | 000 ⇄ 255 | 0-100% |
| 3 | Red | 000 ⇄ 255 | 0-100% |
| 4 | Red Fine | 000 ⇄ 255 | 0-100% |
| 5 | Green | 000 ⇄ 255 | 0-100% |
| 6 | Green Fine | 000 ⇄ 255 | 0-100% |
| 7 | Blue | 000 ⇄ 255 | 0-100% |
| 8 | Blue Fine | 000 ⇄ 255 | 0-100% |
| 9 | Amber | 000 ⇄ 255 | 0-100% |
| 10 | Amber Fine | 000 ⇄ 255 | 0-100% |
| 11 | Lime | 000 ⇄ 255 | 0-100% |
| 12 | Lime Fine | 000 ⇄ 255 | 0-100% |
| 13 | Strobe | 000 ⇄ 010 011 ⇄ 255 | No function Strobe, slow to fast |

12 Ch

| Channel | Function | Value | Percent/Setting |
|---------|---------------------|--|---|
| 1 | Dimmer | 000 ⇄ 255 | 0-100% |
| 2 | Red | 000 ⇄ 255 | 0-100% |
| 3 | Green | 000 ⇄ 255 | 0-100% |
| 4 | Blue | 000 ⇄ 255 | 0-100% |
| 5 | Amber | 000 ⇄ 255 | 0-100% |
| 6 | Lime | 000 ⇄ 255 | 0-100% |
| 7 | Strobe | 000 ⇄ 010 011 ⇄ 255 | No function Strobe, slow to fast |
| 8 | Virtual Color Wheel | 000 ⇄ 255 | Refer to the Color Chart section for specific values |
| 9 | Color Temperature | 000 ⇄ 255 | Refer to the Color Temperature Chart section for specific values |
| 10 | Auto Programs | 000 ⇄ 010 011 ⇄ 060 061 ⇄ 110 111 ⇄ 160 161 ⇄ 210 211 ⇄ 255 | No function Auto program 1 Auto program 2 Auto program 3 Auto program 4 Auto program 5 |
| 11 | Auto Speed | 000 ⇄ 255 | 0-100% |

| Channel | Function | Value | Percent/Setting |
|---------|-------------------|-----------|---------------------------------------|
| 12 | Dimmer Speed Mode | 000 ⇔ 051 | Preset dimmer speed from display menu |
| | | 052 ⇔ 101 | Linear dimmer |
| | | 102 ⇔ 152 | Nonlinear dimming curve 1 (fastest) |
| | | 153 ⇔ 203 | Nonlinear dimming curve 2 |
| | | 204 ⇔ 255 | Nonlinear dimming curve 3 (slowest) |

10 Ch

| Channel | Function | Value | Percent/Setting |
|---------|---------------------|------------------------|--|
| 1 | Dimmer | 000 ⇔ 255 | 0-100% |
| 2 | Dimmer Fine | 000 ⇔ 255 | 0-100% |
| 3 | Red | 000 ⇔ 255 | 0-100% |
| 4 | Green | 000 ⇔ 255 | 0-100% |
| 5 | Blue | 000 ⇔ 255 | 0-100% |
| 6 | Amber | 000 ⇔ 255 | 0-100% |
| 7 | Lime | 000 ⇔ 255 | 0-100% |
| 8 | Strobe | 000 ⇔ 010 011 ⇔ 255 | No function Strobe, slow to fast |
| 9 | Virtual Color Wheel | 000 ⇔ 255 | Refer to the Color Chart section for specific values |
| 10 | Color Temperature | 000 ⇔ 255 | Refer to the Color Temperature Chart section for specific values |

7 Ch

| Channel | Function | Value | Percent/Setting |
|---------|----------|------------------------|-------------------------------------|
| 1 | Dimmer | 000 ⇔ 255 | 0-100% |
| 2 | Red | 000 ⇔ 255 | 0-100% |
| 3 | Green | 000 ⇔ 255 | 0-100% |
| 4 | Blue | 000 ⇔ 255 | 0-100% |
| 5 | Amber | 000 ⇔ 255 | 0-100% |
| 6 | Lime | 000 ⇔ 255 | 0-100% |
| 7 | Strobe | 000 ⇔ 010 011 ⇔ 255 | No function Strobe, slow to fast |

5 Ch

| Channel | Function | Value | Percent/Setting |
|---------|----------|-----------|-----------------|
| 1 | Red | 000 ⇔ 255 | 0-100% |
| 2 | Green | 000 ⇔ 255 | 0-100% |
| 3 | Blue | 000 ⇔ 255 | 0-100% |
| 4 | Amber | 000 ⇔ 255 | 0-100% |
| 5 | Lime | 000 ⇔ 255 | 0-100% |

3 Ch

| Channel | Function | Value | Percent/Setting |
|---------|---------------------|-----------|--|
| 1 | Dimmer | 000 ⇔ 255 | 0-100% |
| 2 | Virtual Color Wheel | 000 ⇔ 255 | Refer to the Color Chart section for specific values |
| 3 | Color Temperature | 000 ⇔ 255 | Refer to the Color Temperature Chart section for specific values |

HSV

| Channel | Function | Value | Percent/Setting |
|---------|------------|-----------|-----------------|
| 1 | Hue | 000 ⇔ 255 | 0-100% |
| 2 | Saturation | 000 ⇔ 255 | 0-100% |
| 3 | Value | 000 ⇔ 255 | 0-100% |

1 Ch

| Channel | Function | Value | Percent/Setting |
|---------|-----------------|-----------|-----------------|
| 1 | Set in Menu Map | 000 ⇔ 255 | 0-100% |

Acerca de Esta Guía

La Guía de Referencia Rápida (GRR) del Ovation H-605FC contiene información básica sobre el producto, como montaje, opciones de menú y valores DMX. Descargue el Manual de Usuario de www.chauvetprofessional.com fpara información más detallada.

Exención de Responsabilidad

La información y especificaciones contenidas en esta GRR están sujetas a cambio sin previo aviso.

GARANTÍA LIMITADA

PARA VER EL REGISTRO DE GARANTÍA Y LOS TÉRMINOS Y CONDICIONES COMPLETOS, VISITE NUESTRO SITIO WEB.

Para clientes en los Estados Unidos y México: www.chauvetlighting.com/warranty-registration.

Para clientes en Reino Unido, República de Irlanda, Bélgica, Países Bajos, Luxemburgo, Francia y Alemania: www.chauvetlighting.eu/warranty-registration.

Chauvet garantiza que este producto estará libre de defectos de material y mano de obra en condiciones de uso normales, durante el periodo especificado, sujeto siempre a las exclusiones y limitaciones establecidas en la garantía limitada completa de nuestro sitio web. Esta garantía se concede únicamente al comprador original del producto y no es transferible. Para ejercer los derechos que otorga esta garantía, usted debe proporcionar una prueba de compra en forma de un recibo de compra original, expedido por un distribuidor autorizado, donde figure el nombre del producto y la fecha de compra. **NO EXISTEN OTRAS GARANTÍAS EXPRESAS NI IMPLÍCITAS.** Esta garantía le otorga derechos legales específicos. Es posible que a usted le asistan otros derechos, que variarán dependiendo del estado o del país. Esta garantía solamente es válida en los Estados Unidos, Reino Unido, República de Irlanda, Bélgica, Países Bajos, Luxemburgo, Francia, Alemania y México. Para conocer los términos de garantía en otros países, consulte a su distribuidor local.

Notas de Seguridad

- NNO abra este producto. No contiene piezas reparables por el usuario.
- NO mire a la fuente de luz cuando el producto esté encendido.
- Para evitar un desgaste innecesario y alargar su vida útil, desconecte complemente el producto de la alimentación, mediante el interruptor o desenchufándolo, durante los periodos en los que no se use.
- Cuidado: cuando transfiera el producto desde ambientes con temperatura extrema (p. ej., del remolque frío de un camión a una sala de baile con calor y humedad), puede formarse condensación en la electrónica interna del producto. Para evitar que se produzca una avería, deje que el producto se aclimate completamente al ambiente antes de conectar la alimentación.
- ¡CUIDADO! La carcasa de este producto está caliente cuando las luces están en funcionamiento.
- Monte este producto en una ubicación con ventilación adecuada, al menos a 20" (50 cm) de superficies adyacentes.
- NO deje ningún material inflamable a menos de 50 cm de este producto mientras esté funcionando o conectado a la alimentación.
- USE un cable de seguridad cuando monte este producto en lo alto.
- NO ponga en funcionamiento este producto en el exterior o en cualquier ubicación en la que el polvo, calor excesivo, agua o humedad puedan afectarlo.
- NO ponga en funcionamiento este producto si sospecha que la carcasa, lentes o cables están dañados.
- NO conecte este producto a un atenuador o reostato.
- Conecte este producto SOLO a un circuito con toma de tierra y protegido.
- Use SOLAMENTE los soportes de colgar/montar o las asas para mover este producto.
- En caso de un problema grave de funcionamiento, deje de usarlo inmediatamente.
- La máxima temperatura ambiente es de 113 °F (45 °C). No haga funcionar este producto a temperaturas más altas.

Contacto

Fuera de EE.UU, Reino Unido, Irlanda, México o Benelux, póngase en contacto con su distribuidor para solicitar asistencia o devolver el producto. Visite [Contact Us](#) para información de contacto.

Qué va Incluido

- Ovation H-605FC
- Lentes de 65°, 45° y 25°
- 80° Filter
- Caja tipo huevera
- Guía de Referencia Rápida

Corriente Alterna

Este producto tiene una fuente de alimentación con detección automática que puede funcionar con un rango de tensión de entrada de 100 a 240 VCA, 50/60 Hz.

Enchufe CA

| Conexión | Cable (EE.UU.) | Cable (Europa) | Color del tornillo |
|------------|----------------|----------------|--------------------|
| CA Cargado | Negro | Marrón | Amarillo/Latón |
| CA Neutro | Blanco | Azul | Plata |
| CA Tierra | Verde/Amarillo | Verde/Amarillo | Verde |



Para evitar un desgaste innecesario y alargar su vida útil, desconecte completamente el producto de la alimentación, mediante el interruptor o desenchufándolo, durante los periodos en los que no se use.

Sustitución del Fusible

1. Desconecte el producto de la toma de corriente.
2. Con un destornillador de estrella N°2 desatornille la tapa del portafusibles.
3. Quite el fusible fundido del portafusibles y sustitúyalo con otro del mismo tipo y categoría.
4. Vuelva a atornillar la tapa del portafusibles en su sitio y conecte de nuevo la alimentación.

Enlace DMX

El Ovation H-605FC funcionará con un controlador DMX usando una conexión serie DMX normal. Hay un manual DMX disponible en www.chauvetprofessional.com.

Conexión DMX

El Ovation H-605FC usa una conexión de datos DMX normal para sus personalidades: **1Ch, 3Ch, 5Ch, 7Ch, 10Ch, 12Ch, 13Ch, 15Ch**, y **HSV**. Vea el Manual de Usuario para conectar y configurar para funcionamiento DMX.

Conexión Maestro/Esclavo

El Ovation H-605FC usa la conexión de datos DMX para su modo Maestro/Esclavo. Vea el Manual de Usuario para conectar y configurar para funcionamiento Maestro/Esclavo.

RDM (gestión remota del dispositivo)

Remote Device Management (gestión remota del dispositivo) o RDM, es un estándar que permite a los dispositivos con capacidad DMX una comunicación bidireccional por un cableado DMX existente. El Ovation H-605FC admite protocolo RDM, que posibilita información para supervisar cambiar las opciones del mapa de menú. Descargue el manual de usuario de www.chauvetprofessional.com para una información más detallada.

Funcionamiento inalámbrico

En condiciones óptimas, el Ovation H-605FC puede funcionar a una distancia de hasta 300 m (900 ft) del transmisor W-DMX. El receptor W-DMX del Ovation H-605FC tiene que estar emparejado con el transmisor W-DMX para el funcionamiento inalámbrico.

Configuración inicial

1. Encienda el transmisor W-DMX.
2. Conecte el transmisor W-DMX a un controlador DMX.
3. Sitúe el Ovation H-605FC a una distancia de hasta 300 m del transmisor W-DMX.
4. Desconecte cualquier cable DMX del Ovation H-605FC.
5. Encienda el Ovation H-605FC.

Configuración

1. Desde el panel de control del Ovation H-605FC vaya a **DMX Address**.
2. Seleccione la dirección de inicio, al igual que con cualquier otro producto compatible con DMX.
3. Vaya a **Wireless Setting > Receive On/Off**.
4. Seleccione **On**. (en el indicador de potencia de señal aparecerá una ? delante de las barras)
5. Pulse el botón de reinicio del transmisor W-DMX. (en el indicador de potencia de señal del Ovation H-605FC aparecerá 4 delante de las barras durante 3 segundos mientras se establece la conexión.)

Emparejamiento de productos

Si el Ovation H-605FC ya se ha emparejado con el transmisor W-DMX™, el indicador de potencia de señal en el medio de la pantalla LCD mostrará la potencia de la señal. En este caso, el Ovation H-605FC está listo para funcionar en modo inalámbrico.

1. Desde el panel de control del Ovation H-605FC's vaya a **Wireless Setting**.
2. Seleccione **Receive Reset**. En el indicador de potencia de señal del Ovation H-605FC aparecerá una ? delante de las barras.

3. Desde el transmisor W-DMX™, pulse <RESET> (el indicador de señal del transmisor parpadeará).
4. Una vez que el transmisor haya encontrado el Ovation H-605FC, el indicador de señal del transmisor W-DMX™ se iluminará de forma constante.
5. El indicador de potencia de señal en el medio de la pantalla LCD del Ovation H-605FC mostrará la potencia de la señal.



Masas líquidas entre el transmisor y el receptor, como agua, nieve o personas, pueden interrumpir o impedir el funcionamiento por W-DMX™. Para mejores resultados, mantenga la zona entre el transmisor y el receptor sin ninguna masa líquida.

Rueda de Color Virtual (VCW)

El Ovation H-605FC incluye una función de rueda de color virtual llamada Virtual Color Wheel (VCW). Esta función está disponible como modo de control independiente para uso manual y también como canal de control en algunas personalidades DMX del dispositivo. Más de 30 colores premezclados, elaborados por nuestros ingenieros, están disponibles para facilitarle la programación.

Los valores DMX utilizados para mezclar estos colores se indican más abajo. Puede ajustar la intensidad general del dispositivo Ovation para reproducir más fielmente los colores a los que esté habituado. Hay un gráfico a su disposición en nuestro sitio web www.chauvetprofessional.com para comparar nuestros colores premezclados con los colores de gel más populares. Este gráfico sirve solamente para comparar y no implica que nuestros colores premezclados coincidan exactamente con los colores de gel listados.

Tabla de Colores

| Valor del Canal DMX | Lectura en Pantalla | Valor Rojo | Valor Verde | Valor Azul | Valor Ámbar | Valor Lime |
|---------------------|-----------------------------|------------|-------------|------------|-------------|------------|
| 000 ⇔ 005 | -- | 000 | 000 | 000 | 000 | 000 |
| 006 ⇔ 013 | C3050 - Md Yellow | 233 | 163 | 020 | 123 | 255 |
| 014 ⇔ 021 | C3040 - Lt Yellow | 224 | 158 | 047 | 255 | 231 |
| 022 ⇔ 028 | C3240 - Amb Yellow | 180 | 060 | 000 | 245 | 255 |
| 029 ⇔ 035 | C2340 - VLt Amber | 245 | 107 | 081 | 255 | 213 |
| 036 ⇔ 043 | C2040 - Lt Amber | 230 | 130 | 062 | 255 | 155 |
| 044 ⇔ 051 | C2050 - Md Amber | 255 | 000 | 025 | 255 | 194 |
| 052 ⇔ 059 | C2060 - Dk Amber | 255 | 000 | 024 | 255 | 150 |
| 060 ⇔ 067 | C1050 - Lt Red | 255 | 037 | 027 | 030 | 038 |
| 068 ⇔ 075 | C1080 - Md Red | 255 | 004 | 017 | 000 | 000 |
| 076 ⇔ 083 | C1020 - NC Pink | 238 | 135 | 129 | 255 | 255 |
| 084 ⇔ 091 | C1030 - Md Pink | 255 | 131 | 120 | 255 | 195 |
| 092 ⇔ 099 | C1630 - Dk Pink | 250 | 165 | 123 | 255 | 210 |
| 100 ⇔ 107 | C1250 - Md Red Amber | 255 | 000 | 041 | 195 | 055 |
| 108 ⇔ 115 | C1060 - Dk Red Amber | 255 | 000 | 045 | 120 | 030 |
| 116 ⇔ 121 | C1650 - Magenta | 255 | 050 | 115 | 255 | 115 |
| 122 ⇔ 130 | C6170 - Dk Magenta | 255 | 035 | 117 | 000 | 000 |
| 131 ⇔ 138 | C6020 - Lt Lavender | 127 | 122 | 142 | 251 | 255 |
| 139 ⇔ 146 | C5030 - Lt Blue | 000 | 255 | 197 | 100 | 255 |
| 147 ⇔ 154 | C5020 - VLt Blue | 158 | 255 | 189 | 000 | 255 |
| 155 ⇔ 162 | C5430 - Lt Blue 2 | 000 | 255 | 180 | 000 | 243 |
| 163 ⇔ 170 | C5070 - Blue | 043 | 255 | 210 | 043 | 036 |
| 171 ⇔ 178 | C5050 - Md Blue | 000 | 255 | 218 | 000 | 181 |
| 179 ⇔ 186 | C5060 - Dk Blue | 000 | 210 | 206 | 000 | 118 |
| 187 ⇔ 194 | C5690 - Indigo | 065 | 000 | 210 | 040 | 055 |
| 195 ⇔ 202 | C5080 - VDk Blue | 000 | 203 | 230 | 000 | 040 |
| 203 ⇔ 210 | C5081 - VDk Blue 2 | 040 | 199 | 240 | 000 | 045 |
| 211 ⇔ 218 | C4370 - Yel Green | 027 | 255 | 028 | 016 | 104 |
| 219 ⇔ 226 | C4070 - Green | 049 | 255 | 055 | 120 | 090 |
| 227 ⇔ 234 | C4550 - Turquoise | 060 | 230 | 109 | 000 | 245 |
| 235 ⇔ 242 | C4560 - Aqua | 020 | 240 | 126 | 036 | 255 |
| 243 ⇔ 250 | C4570 - Blue Green | 000 | 255 | 079 | 030 | 053 |
| 251 ⇔ 255 | -- | 000 | 000 | 000 | 000 | 000 |



Nota: Los colores listados son interpretaciones simuladas de la emisión de color generada en comparación con otros productos incandescentes similares. Chauvet no garantiza la exactitud del color emitido.

Gráfico de temperaturas de color

| Valor del Canal DMX | Lectura en Pantalla | Valor Rojo | Valor Verde | Valor Azul | Valor Ámbar | Valor Limón |
|---------------------|---------------------|------------|-------------|------------|-------------|-------------|
| 000 ⇔ 005 | -- | 000 | 000 | 000 | 000 | 000 |
| 006 ⇔ 025 | 2800K | 255 | 199 | 107 | 253 | 255 |
| 026 ⇔ 050 | 3200K | 253 | 247 | 129 | 255 | 255 |
| 051 ⇔ 075 | 3500K | 234 | 255 | 141 | 253 | 255 |
| 076 ⇔ 100 | 4000K | 204 | 255 | 156 | 243 | 255 |
| 101 ⇔ 125 | 4500K | 181 | 248 | 166 | 224 | 255 |
| 126 ⇔ 150 | 5000K | 160 | 255 | 180 | 241 | 255 |
| 151 ⇔ 175 | 5600K | 138 | 255 | 191 | 241 | 255 |
| 176 ⇔ 200 | 6000K | 147 | 255 | 193 | 203 | 255 |
| 201 ⇔ 225 | 6500K | 142 | 251 | 197 | 187 | 255 |
| 226 ⇔ 255 | -- | 000 | 000 | 000 | 000 | 000 |

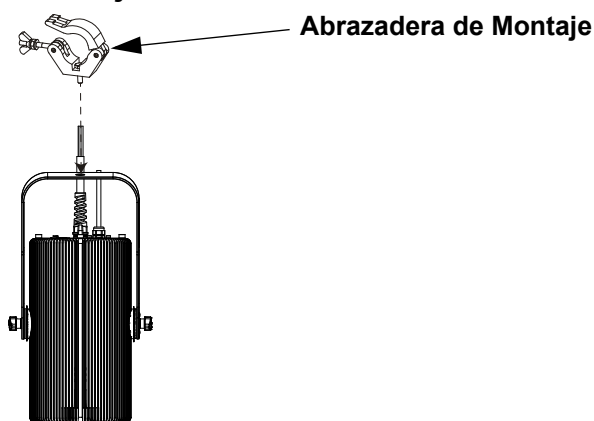


Nota: Las temperaturas de color que aparecen arriba son interpretaciones simuladas de la emisión de color producida cuando se compara con una lámpara de tungsteno a la temperatura de color especificada. Chauvet no garantiza la exactitud del color emitido.

Montaje

Antes de montar este producto, lea las [Notas de Seguridad](#). Asegúrese de que las abrazaderas de montaje son capaces de soportar el peso del producto. Para nuestra línea Chauvet de abrazaderas de montaje, visite <http://trusst.com/productcategory/truss-clamps/>

Diagrama de Montaje del Producto



Montaje en Altura



Montaje en el Suelo

Descripción del Panel de Control

| Botón | Función |
|---------|--|
| <MENU> | Sale del menú o función actual |
| <ENTER> | Habilita el menú actualmente en pantalla o configura el valor seleccionado actualmente dentro de la función seleccionada |
| <UP> | Navega hacia arriba por la lista de menú o aumenta el valor numérico cuando está en una función |
| <DOWN> | Navega hacia abajo por la lista de menú o disminuye el valor numérico cuando está en una función |

Mapa de Menú

| Nivel Principal | Niveles de Programación | | Descripción |
|-----------------|-------------------------|---------------------|---|
| DMX Address | Address | 001–510* | Selecciona la dirección de inicio (*canal más alto restringido a la elección de personalidad) |
| DMX Channel | 1CH | Virtual Color Wheel | 1-canales: RVAAL, VCW, or temperature de color |
| | | Color Temperature | |
| | | Manual Color Mixer | |

| Nivel Principal | Niveles de Programación | | | Descripción | | | |
|------------------------------|------------------------------|----------------------------|--------|---|-------|--|--|
| DMX Channel | 3CH | | | 3-canales: atenuador, VCW, temperatura de color | | | |
| | 5CH | | | 5-canales: control RVAAL | | | |
| | 7CH | | | 7-canales: control RVAAL, atenuador, estroboscopio | | | |
| | 10CH | | | 10-canales: control RVAAL, atenuador, fino atenuador, estroboscopio, VCW, temperatura de color | | | |
| | 12CH | | | 12-canales: control RVAAL, atenuador, estroboscopio, VCW, temperatura de color, programas automática, velocidad automática, velocidad atenuador | | | |
| | 13CH | | | 13-canales: 16-bit-control RVAAL, atenuador, estroboscopio | | | |
| | 15CH | | | 15-canales: control RVAAL, 16-bit-control RVAAL, atenuador, fino atenuador, estroboscopio, VCW, temperatura de color | | | |
| | HSV | | | 3-canales: hue, saturation, value | | | |
| VCW (Virtual Color Wheel) | VCW (Virtual Color Wheel) | C3050 - Md Yellow | Dimmer | Rueda de Color Virtual (VCW) simula la emisión de cada gel de color. Consulte la sección Tabla de Colores para ver los valores específicos. | | | |
| | | C3040 - Lt Yellow | | | | | |
| | | C3240 - Amb Yellow | | | | | |
| | | C2340 - Vlt Amber | | | | | |
| | | C2040 - Lt Amber | | | | | |
| | | C2050 - Md Amber | | | | | |
| | | C2060 - Dk Amber | | | | | |
| | | C1050 - Lt Red | | | | | |
| | | C1080 - Md Red | | | | | |
| | | C1020 - NC Pink | | | | | |
| | | C1030 - Md Pink | | | | | |
| | | C1630 - Dk Pink | | | | | |
| | | C1250 - Md Red Amber | | | | | |
| | | C1060 - Dk Red Amber | | | | | |
| | | C1650 - Magenta | | | | | |
| | | C6170 - Dk Magenta | | | | | |
| | | C6020 - Lt Lavender | | | | | |
| | | C5030 - Lt Blue | | | | | |
| | | C5020 - Vlt Blue | | | | | |
| | | C5430 - Lt Blue 2 | | | | | |
| | | C5070 - Blue | | | | | |
| | | C5050 - Md Blue | | | | | |
| | | C5060 - Dk Blue | | | | | |
| | | C5690 - Indigo | | | | | |
| | | C5080 - VDk Blue | | | | | |
| | | C5081 - VDk Blue 2 | | | | | |
| | | C4370 - Yel Green | | | | | |
| | | C4070 - Green | | | | | |
| | | C4550 - Turquoise | | | | | |
| | | C4560 - Aqua | | | | | |
| | | C4570 - Blue Green | | | | | |
| | | CCT (Color Temperature) | | | 2800K | | Temperaturas de color blanco Emula una lámpara de tungsteno a la temperatura de color especificada. Consulte el apartado Gráfico de temperaturas de color para ver valores concretos |
| | | | | | 3200K | | |
| 3500K | | | | | | | |
| 4000K | | | | | | | |
| 4500K | | | | | | | |

| Nivel Principal | Niveles de Programación | | | Descripción | |
|------------------------------|-----------------------------|-------|---------|-------------|---|
| VCW (Virtual Color Wheel) | CCT (Color Temperature) | 5000K | Dimmer | 000-255 | Temperaturas de color blanco Emula una lámpara de tungsteno a la temperatura de color especificada. Consulte el apartado Gráfico de temperaturas de color para ver valores concretos |
| | | 5600K | | | |
| | | 6000K | | | |
| | | 6500K | | | |
| | MCM (Manual Color Mixer) | Red | | | Combina rojo, verde, azul, ámbar y lime para generar un color personalizado (0–100%) |
| | Green | | | | |
| | Blue | | | | |
| | Amber | | | | |
| | Lime | | | | |
| Auto Show | Auto 1 | | 1-100 | | Selecciona programas automáticos y velocidad de programas automáticos |
| | Auto 2 | | | | |
| | Auto 3 | | | | |
| | Auto 4 | | | | |
| | Auto 5 | | | | |
| Master/Slave | Master | | | | Modo maestro |
| | Slave | | | | Modo esclavo |
| Dimmer Mode | Off | | | | Atenuador lineal |
| | Dimmer 1 | | | | Curva de atenuador rápida |
| | Dimmer 2 | | | | Curva de atenuador media |
| | Dimmer 3 | | | | Curva de atenuador lenta |
| White Balance | Off | | 125–255 | | Utiliza la configuración de blanco predeterminada de fábrica |
| | Manual | Red | | | Establece el valor máximo de LED rojo |
| | | Green | | | Establece el valor máximo de LED verde |
| | | Blue | | | Establece el valor máximo de LED azul |
| | | Amber | | | Establece el valor máximo de LED ámbar |
| | | Lime | | | Establece el valor máximo de LED lime |
| LED Frequency | 600Hz | | | | Selecciona la frecuencia de emisión PWM |
| | 1200Hz | | | | |
| | 2000Hz | | | | |
| | 4000Hz | | | | |
| | 6000Hz | | | | |
| | 25KHz | | | | |
| Back Light | On | | | | Retro-iluminación de la pantalla siempre activa |
| | 10S | | | | Retro-iluminación de la pantalla se apaga después de 10 segundos de inactividad |
| | 20S | | | | Retro-iluminación de la pantalla se apaga después de 20 segundos de inactividad |
| | 30S | | | | Retro-iluminación de la pantalla se apaga después de 30 segundos de inactividad |
| Wireless Setting | Receive On/Off | On | | | Reinicia la configuración inalámbrica |
| | | Off | | | |
| | Receive Reset | No | | | Apaga/enciende la función DMX inalámbrica |
| | | Yes | | | |
| Emergency Mode | On | | | | Enciende el producto cuando se pierde la señal DMX |
| | Off | | | | No se emprende ninguna acción cuando se pierde la señal DMX |

| Nivel Principal | Niveles de Programación | | Descripción |
|-----------------|-------------------------|-----------|---|
| Information | Fixture Hours | ---- | Muestra el nombre total de las horas del producto |
| | Version | V_._-V_._ | Muestra instalada la versión de software |
| | UID | ----- | Muestra el ID del dispositivo |
| Factory Setting | No | | Muestra actual UID # |
| | Yes | | Reinicia a la configuración de fábrica |

Valores DMX

15 Ch

| Canal | Función | Valor | Porcentaje/Configuración |
|-------|------------------------------|------------------------|--|
| 1 | Atenuador | 000 ⇔ 255 | 0-100% |
| 2 | Atenuador fino | 000 ⇔ 255 | 0-100% |
| 3 | Rojo | 000 ⇔ 255 | 0-100% |
| 4 | Rojo fino | 000 ⇔ 255 | 0-100% |
| 5 | Verde | 000 ⇔ 255 | 0-100% |
| 6 | Verde fino | 000 ⇔ 255 | 0-100% |
| 7 | Azul | 000 ⇔ 255 | 0-100% |
| 8 | Azul fino | 000 ⇔ 255 | 0-100% |
| 9 | Ámbar | 000 ⇔ 255 | 0-100% |
| 10 | Ámbar fino | 000 ⇔ 255 | 0-100% |
| 11 | Limón | 000 ⇔ 255 | 0-100% |
| 12 | Limón fino | 000 ⇔ 255 | 0-100% |
| 13 | Estroboscopio | 000 ⇔ 010 011 ⇔ 255 | Sin función Lento a rápido |
| 14 | Rueda de Color Virtual (VCW) | 000 ⇔ 255 | Consulte la sección Tabla de Colores para ver los valores específicos. |
| 15 | Temperatura de Color | 000 ⇔ 255 | Consulte el apartado Gráfico de temperaturas de color para ver valores concretos |

13 Ch

| Canal | Función | Valor | Porcentaje/Configuración |
|-------|----------------|------------------------|-------------------------------|
| 1 | Atenuador | 000 ⇔ 255 | 0-100% |
| 2 | Atenuador fino | 000 ⇔ 255 | 0-100% |
| 3 | Rojo | 000 ⇔ 255 | 0-100% |
| 4 | Rojo fino | 000 ⇔ 255 | 0-100% |
| 5 | Verde | 000 ⇔ 255 | 0-100% |
| 6 | Verde fino | 000 ⇔ 255 | 0-100% |
| 7 | Azul | 000 ⇔ 255 | 0-100% |
| 8 | Azul fino | 000 ⇔ 255 | 0-100% |
| 9 | Ámbar | 000 ⇔ 255 | 0-100% |
| 10 | Ámbar fino | 000 ⇔ 255 | 0-100% |
| 11 | Limón | 000 ⇔ 255 | 0-100% |
| 12 | Limón fino | 000 ⇔ 255 | 0-100% |
| 13 | Estroboscopio | 000 ⇔ 010 011 ⇔ 255 | Sin función Lento a rápido |

12 Ch

| Canal | Función | Valor | Porcentaje/Configuración |
|-------|-----------|-----------|--------------------------|
| 1 | Atenuador | 000 ⇔ 255 | 0-100% |
| 2 | Rojo | 000 ⇔ 255 | 0-100% |
| 3 | Verde | 000 ⇔ 255 | 0-100% |
| 4 | Azul | 000 ⇔ 255 | 0-100% |
| 5 | Ámbar | 000 ⇔ 255 | 0-100% |
| 6 | Limón | 000 ⇔ 255 | 0-100% |

| Canal | Función | Valor | Porcentaje/Configuración |
|-------|-------------------------------------|--|---|
| 7 | Estroboscopio | 000 ⇄ 010 011 ⇄ 255 | Sin función Lento a rápido |
| 8 | Rueda de Color Virtual (VCW) | 000 ⇄ 255 | Consulte la sección Tabla de Colores para ver los valores específicos. |
| 9 | Temperatura de Color | 000 ⇄ 255 | Consulte el apartado Gráfico de temperaturas de color para ver valores concretos |
| 10 | Programas Automática | 000 ⇄ 010 011 ⇄ 060 061 ⇄ 110 111 ⇄ 160 161 ⇄ 210 211 ⇄ 255 | No función Auto programas 1 Auto programas 2 Auto programas 3 Auto programas 4 Auto programas 5 |
| 11 | Velocidad Automática | 000 ⇄ 255 | 0-100% |
| 12 | Velocidad Atenuador | 000 ⇄ 051 052 ⇄ 101 102 ⇄ 152 153 ⇄ 203 204 ⇄ 255 | Pre configura la velocidad del atenuador desde la pantalla de menú Atenuador lineal Curva de atenuación no-lineal 1 (la más rápida) Curva de atenuación no-lineal 2 Curva de atenuación no-lineal 3 |

10 Ch

| Canal | Función | Valor | Porcentaje/Configuración |
|-------|-------------------------------------|------------------------|--|
| 1 | Atenuador | 000 ⇄ 255 | 0-100% |
| 2 | Atenuador fino | 000 ⇄ 255 | 0-100% |
| 3 | Rojo | 000 ⇄ 255 | 0-100% |
| 4 | Verde | 000 ⇄ 255 | 0-100% |
| 5 | Azul | 000 ⇄ 255 | 0-100% |
| 6 | Ámbar | 000 ⇄ 255 | 0-100% |
| 7 | Limón | 000 ⇄ 255 | 0-100% |
| 8 | Estroboscopio | 000 ⇄ 010 011 ⇄ 255 | Sin función Lento a rápido |
| 9 | Rueda de Color Virtual (VCW) | 000 ⇄ 255 | Consulte la sección Tabla de Colores para ver los valores específicos. |
| 10 | Temperatura de Color | 000 ⇄ 255 | Consulte el apartado Gráfico de temperaturas de color para ver valores concretos |

7 Ch

| Canal | Función | Valor | Porcentaje/Configuración |
|-------|----------------------|------------------------|-------------------------------|
| 1 | Atenuador | 000 ⇄ 255 | 0-100% |
| 2 | Rojo | 000 ⇄ 255 | 0-100% |
| 3 | Verde | 000 ⇄ 255 | 0-100% |
| 4 | Azul | 000 ⇄ 255 | 0-100% |
| 5 | Ámbar | 000 ⇄ 255 | 0-100% |
| 6 | Limón | 000 ⇄ 255 | 0-100% |
| 7 | Estroboscopio | 000 ⇄ 010 011 ⇄ 255 | Sin función Lento a rápido |

5 Ch

| Canal | Función | Valor | Porcentaje/Configuración |
|-------|--------------|-----------|--------------------------|
| 1 | Rojo | 000 ⇄ 255 | 0-100% |
| 2 | Verde | 000 ⇄ 255 | 0-100% |
| 3 | Azul | 000 ⇄ 255 | 0-100% |
| 4 | Ámbar | 000 ⇄ 255 | 0-100% |
| 5 | Limón | 000 ⇄ 255 | 0-100% |

ES

3 Ch

| Canal | Función | Valor | Porcentaje/Configuración |
|-------|------------------------------|-----------|--|
| 1 | Atenuador | 000 ⇔ 255 | 0-100% |
| 2 | Rueda de Color Virtual (VCW) | 000 ⇔ 255 | Consulte la sección Tabla de Colores para ver los valores específicos. |
| 3 | Temperatura de Color | 000 ⇔ 255 | Consulte el apartado Gráfico de temperaturas de color para ver valores concretos |

HSV

| Canal | Función | Valor | Porcentaje/Configuración |
|-------|------------|-----------|--------------------------|
| 1 | Matiz | 000 ⇔ 255 | 0-100% |
| 2 | Saturación | 000 ⇔ 255 | 0-100% |
| 3 | Valor | 000 ⇔ 255 | 0-100% |

1 Ch

| Canal | Función | Valor | Porcentaje/Configuración |
|-------|-------------------------------|-----------|--------------------------|
| 1 | Establecer en el mapa de menú | 000 ⇔ 255 | 0-100% |

À Propos de ce Manuel

Le Manuel de Référence du Ovation H-605FC (MR) reprend des informations de base sur cet appareil notamment en matière de connexions, montage, options de menu et valeurs DMX. Télécharger le Manuel d'Utilisation sur www.chauvetprofessional.com pour de plus amples informations.

Clause de Non-Responsabilité

Les informations et caractéristiques contenues dans ce manuel sont sujettes à changement sans préavis.

GARANTIE LIMITÉE

VEUILLEZ VISITER NOTRE SITE INTERNET POUR CONSULTER LES MODALITÉS D'ENREGISTREMENT DE LA GARANTIE ET LES CONDITIONS GÉNÉRALES COMPLÈTES.

Pour les clients aux États-Unis et au Mexique: www.chauvetlighting.com/warranty-registration.

Pour les clients du Royaume-Uni, de la République d'Irlande, de la Belgique, des Pays-Bas, du Luxembourg, de la France et de l'Allemagne: www.chauvetlighting.eu/warranty-registration.

Chauvet garantit que cet appareil est exempt de défauts de matériaux et de fabrication dans des conditions normales d'utilisation, pendant la période spécifiée dans la garantie limitée complète consultable sur notre site Internet et sous réserve des exclusions et limitations qui y sont énoncées. Cette garantie ne s'applique qu'à l'acheteur initial du produit et n'est pas transférable. Pour exercer les droits prévus par cette garantie, vous devez fournir une preuve d'achat sous la forme d'un reçu de vente original d'un revendeur autorisé qui indique le nom du produit et la date d'achat. **IL N'EXISTE AUCUNE AUTRE GARANTIE EXPRESSE OU IMPLICITE.** Cette garantie vous confère des droits légaux spécifiques. Vous pouvez également bénéficier d'autres droits qui varient selon les états et les pays. Cette garantie n'est valable qu'aux États-Unis, au Royaume-Uni, en République d'Irlande, en Belgique, aux Pays-Bas, au Luxembourg, en France, en Allemagne et au Mexique. Pour connaître les conditions de garantie dans d'autres pays, veuillez consulter votre revendeur local.

Consignes de Sécurité

- N'ouvrez PAS ce produit. Il ne contient aucun composant susceptible d'être réparé par l'utilisateur.
- Ne regardez PAS la source lumineuse lorsque le produit fonctionne.
- Durant les périodes de non-utilisation, pour éviter toute usure inutile et pour prolonger la durée de vie, déconnectez entièrement l'appareil en le débranchant de l'alimentation électrique ou en coupant le disjoncteur.
- ATTENTION: Lorsque l'appareil est transféré d'un environnement à température extrême à un autre (par exemple d'un camion froid vers une salle de bal chaude et humide), de la condensation peut se former sur les composants électriques internes. Pour éviter de causer des dommages, laissez l'appareil s'acclimater entièrement au milieu environnant avant de le mettre sous tension.
- ATTENTION: le boîtier de ce produit est brûlant lors du fonctionnement.
- Montez toujours ce produit dans un endroit bien ventilé, à au moins, 20 pouces (50 cm) des surfaces adjacentes.
- Ne laissez AUCUNE source inflammable dans un rayon de 50 cm du produit lorsque celui-ci fonctionne.
- Utilisez TOUJOURS un câble de sécurité lorsque vous montez ce produit en hauteur.
- N'utilisez PAS ce produit en extérieur ou tout autre endroit où de la poussière, une chaleur excessive, de l'eau ou de l'humidité pour en affecter le fonctionnement.
- N'utilisez PAS ce produit si le boîtier, les lentilles ou les câbles vous semblent endommagés.
- Ne connectez PAS ce produit ni à un gradateur ni à un rhéostat.
- Connectez UNIQUEMENT ce produit à un circuit protégé et relié à la terre.
- Transportez/Suspendez ce produit UNIQUEMENT au moyen de la poignée ou lyre de suspension dont il est doté.
- En cas de sérieux problèmes de fonctionnement, arrêtez le système immédiatement.
- La température ambiante maximale supportée par ce produit est de 113 °F (45 °C). Ne le faites pas fonctionner à des températures plus élevées.

Contact

En dehors des États-Unis, du Royaume-Uni, de l'Irlande, du Mexique, et du Benelux, contactez votre fournisseur si vous avez besoin d'assistance ou de retourner votre appareil. Consultez le site [Contact Us](#) pour trouver nos coordonnées.

Ce Qui est Inclus

- Ovation H-605FC
- Lentilles 65°, 45° et 25°
- 80° Filter
- Coussin alvéolé
- Manuel de Référence

Alimentation CA

Cet appareil est doté d'une alimentation universelle prenant en charge toute tension d'entrée comprise entre 100 et 240 VCA, 50/60 Hz.

Prise CA

| Connexion | Câble (États-Unis) | Câble (Europe) | Couleur de la vis |
|---------------|--------------------|----------------|-------------------|
| Conducteur CA | Noir | Marron | Jaune/Cuivré |
| Neutre CA | Blanc | Bleu | Argenté |
| Terre CA | Vert/Jaune | Vert/Jaune | Vert |



Durant les périodes de non-utilisation, pour éviter toute usure inutile et pour prolonger la durée de vie, déconnectez-entièrement l'appareil en le débranchant de l'alimentation électrique ou en coupant le disjoncteur.

Remplacement du Fusible

1. Débranchez l'appareil de la prise.
2. À l'aide d'un tournevis Philips à tête n° 2, dévissez le couvercle du porte-fusible.
3. Remplacez le fusible obsolète par un fusible neuf équivalent
4. Revissez le couvercle du porte-fusible et rebranchez l'unité.

Raccordement DMX

Le Ovation H-605FC fonctionnera avec un jeu d'orgues DMX au moyen de connexions DMX en série standard. Une introduction au DMX est à votre disposition sur www.chauvetprofessional.com.

Connexion DMX

Le Ovation H-605FC utilise une connexion de données DMX standard pour ses personnalités DMX: **1Ch, 3Ch, 5Ch, 7Ch, 10Ch, 12Ch, 13Ch, 15Ch**, et **HSV**. Consultez le Manuel d'Utilisation pour connecter et configurer le système DMX.

Connexion Maître/ Esclave

Le Ovation H-605FC utilise une connexion de données DMX pour son mode Maître/Esclave. Consultez le Manuel d'Utilisation pour connecter et configurer le mode de fonctionnement Maître/Esclave.

RDM (Gestion des périphériques à distance)

Le protocole RDM (gestion des périphériques à distance) est un standard pour la communication bidirectionnelle des appareils dotés de fonctions DMX dans un câblage DMX existant. Le Ovation H-605FC supporte le protocole RDM permettant un retour d'information pour la surveillance et des changements des options de menu. Veuillez télécharger le manuel de l'utilisateur à partir du site internet www.chauvetprofessional.com pour plus de détails.

Fonctionnement sans fil

In optimal conditions, the Ovation H-605FC can operate up to 300 m (900 ft) away from the W-DMX transmitter. The W-DMX receiver in the Ovation H-605FC must be paired with the W-DMX transmitter for wireless operation.

Configuration initiale

1. Allumez l'émetteur W-DMX.
2. Connectez l'émetteur W-DMX au contrôleur DMX.
3. Placez le Ovation H-605FC à moins de 300 m de l'émetteur W-DMX.
4. Débranchez tous les câbles DMX branchés sur le Ovation H-605FC.
5. Allumez le Ovation H-605FC.

Configuration

1. À partir du panneau de commande du Ovation H-605FC allez sur le menu **DMX Address**.
2. Sélectionnez l'adresse de départ comme avec tout autre appareil compatible DMX.
3. Allez sur le menu **Wireless Setting > Receive On/Off**.
4. Sélectionnez **On**. (L'indicateur d'intensité du signal affiche un ? devant les barres.)
5. Appuyez sur le bouton de réinitialisation de l'émetteur W-DMX. (L'indicateur d'intensité du signal du Ovation H-605FC affiche un sigle **4** devant les barres pendant 3 secondes pendant l'établissement de la connexion.)

Appairage de l'appareil

Si le Ovation H-605FC a déjà été appairé avec l'émetteur W-DMX, l'indicateur d'intensité du signal situé au milieu de l'écran LCD affiche la force du signal. Dans ce cas, le Ovation H-605FC est prêt à fonctionner en mode sans fil.

1. A partir du panneau de commande du Ovation H-605FC, allez au menu **Wireless Setting**.
2. Sélectionnez **Receive Reset**. L'indicateur d'intensité du signal du Ovation H-605FC affiche un ? devant les barres.
3. Sur l'émetteur W-DMX, appuyez sur **<RESET>** (l'indicateur de signal de l'émetteur clignote).
4. Lorsque l'émetteur a trouvé le Ovation H-605FC, l'indicateur de signal de l'émetteur W-DMX reste allumé.
5. L'indicateur d'intensité du signal situé au milieu de l'écran LCD sur le Ovation H-605FC affiche alors la force du signal.



Le fonctionnement W-DMX peut être interrompu ou inhibé par des masses de liquides entre l'émetteur et le récepteur, comme par exemple de l'eau, de la neige ou des personnes. Pour de meilleurs résultats, assurez-vous que la zone située entre l'émetteur et le récepteur soit exempte de toute masse liquide.

Roue de Couleurs Virtuelles (VCW)

Le Ovation H-605FC dispose d'une fonction appelée Roue de Couleur Virtuelle (VCW - Virtual Color Wheel). Cette fonction est disponible en mode de contrôle autonome pour une utilisation manuelle mais également en tant que canal de contrôle dans certaines personnalités DMX. Plus de 30 couleurs pré-mélangées, personnalisées par nos ingénieurs, sont disponibles pour faciliter la programmation.

Les valeurs DMX utilisées pour mélanger ces couleurs sont indiquées ci-dessous. Vous pouvez ajuster l'intensité globale du Ovation afin de reproduire plus fidèlement les couleurs que vous avez l'habitude d'utiliser. Un graphique est disponible sur notre site Web à l'adresse www.chauvetprofessional.com pour comparer nos couleurs pré-mélangées avec des couleurs de gel populaires. Ce tableau est fourni uniquement à des fins de comparaison et ne certifie pas que nos couleurs pré-mélangées correspondent aux couleurs de gel énumérées.

Gamme de Couleurs

| Valeurs des Canaux DMX | Affichage à l'Écran | Valeur Rouge | Valeur Vert | Valeur Bleu | Valeur Ambre | Valeur Lime |
|------------------------|-----------------------------|--------------|-------------|-------------|--------------|-------------|
| 000 ⇔ 005 | --- | 000 | 000 | 000 | 000 | 000 |
| 006 ⇔ 013 | C3050 - Md Yellow | 233 | 163 | 020 | 123 | 255 |
| 014 ⇔ 021 | C3040 - Lt Yellow | 224 | 158 | 047 | 255 | 231 |
| 022 ⇔ 028 | C3240 - Amb Yellow | 180 | 060 | 000 | 245 | 255 |
| 029 ⇔ 035 | C2340 - VLt Amber | 245 | 107 | 081 | 255 | 213 |
| 036 ⇔ 043 | C2040 - Lt Amber | 230 | 130 | 062 | 255 | 155 |
| 044 ⇔ 051 | C2050 - Md Amber | 255 | 000 | 025 | 255 | 194 |
| 052 ⇔ 059 | C2060 - Dk Amber | 255 | 000 | 024 | 255 | 150 |
| 060 ⇔ 067 | C1050 - Lt Red | 255 | 037 | 027 | 030 | 038 |
| 068 ⇔ 075 | C1080 - Md Red | 255 | 004 | 017 | 000 | 000 |
| 076 ⇔ 083 | C1020 - NC Pink | 238 | 135 | 129 | 255 | 255 |
| 084 ⇔ 091 | C1030 - Md Pink | 255 | 131 | 120 | 255 | 195 |
| 092 ⇔ 099 | C1630 - Dk Pink | 250 | 165 | 123 | 255 | 210 |
| 100 ⇔ 107 | C1250 - Md Red Amber | 255 | 000 | 041 | 195 | 055 |
| 108 ⇔ 115 | C1060 - Dk Red Amber | 255 | 000 | 045 | 120 | 030 |
| 116 ⇔ 121 | C1650 - Magenta | 255 | 050 | 115 | 255 | 115 |
| 122 ⇔ 130 | C6170 - Dk Magenta | 255 | 035 | 117 | 000 | 000 |
| 131 ⇔ 138 | C6020 - Lt Lavender | 127 | 122 | 142 | 251 | 255 |
| 139 ⇔ 146 | C5030 - Lt Blue | 000 | 255 | 197 | 100 | 255 |
| 147 ⇔ 154 | C5020 - VLt Blue | 158 | 255 | 189 | 000 | 255 |
| 155 ⇔ 162 | C5430 - Lt Blue 2 | 000 | 255 | 180 | 000 | 243 |
| 163 ⇔ 170 | C5070 - Blue | 043 | 255 | 210 | 043 | 036 |
| 171 ⇔ 178 | C5050 - Md Blue | 000 | 255 | 218 | 000 | 181 |
| 179 ⇔ 186 | C5060 - Dk Blue | 000 | 210 | 206 | 000 | 118 |
| 187 ⇔ 194 | C5690 - Indigo | 065 | 000 | 210 | 040 | 055 |
| 195 ⇔ 202 | C5080 - VDk Blue | 000 | 203 | 230 | 000 | 040 |
| 203 ⇔ 210 | C5081 - VDk Blue 2 | 040 | 199 | 240 | 000 | 045 |
| 211 ⇔ 218 | C4370 - Yel Green | 027 | 255 | 028 | 016 | 104 |
| 219 ⇔ 226 | C4070 - Green | 049 | 255 | 055 | 120 | 090 |
| 227 ⇔ 234 | C4550 - Turquoise | 060 | 230 | 109 | 000 | 245 |
| 235 ⇔ 242 | C4560 - Aqua | 020 | 240 | 126 | 036 | 255 |
| 243 ⇔ 250 | C4570 - Blue Green | 000 | 255 | 079 | 030 | 053 |
| 251 ⇔ 255 | -- | 000 | 000 | 000 | 000 | 000 |



Remarque : Les couleurs ci-dessus sont des rendus simulés de couleurs produits sur base des couleurs émises par les appareils à incandescence. Chauvet ne peut garantir l'exactitude du rendu d'une couleur.

Gamme des températures de couleur

| Valeurs des Canaux DMX | Affichage à l'Écran | Valeur Rouge | Valeur Vert | Valeur Bleu | Valeur Ambre | Valeur Lime |
|------------------------|---------------------|--------------|-------------|-------------|--------------|-------------|
| 000 ⇄ 005 | -- | 000 | 000 | 000 | 000 | 000 |
| 006 ⇄ 025 | 2800K | 185 | 160 | 90 | 248 | 180 |
| 026 ⇄ 050 | 3200K | 190 | 180 | 102 | 148 | 180 |
| 051 ⇄ 075 | 3500K | 200 | 194 | 111 | 249 | 180 |
| 076 ⇄ 100 | 4000K | 195 | 204 | 122 | 249 | 180 |
| 101 ⇄ 125 | 4500K | 195 | 212 | 132 | 249 | 187 |
| 126 ⇄ 150 | 5000K | 195 | 219 | 140 | 249 | 187 |
| 151 ⇄ 175 | 5600K | 200 | 229 | 148 | 251 | 181 |
| 176 ⇄ 200 | 6000K | 181 | 230 | 152 | 252 | 182 |
| 201 ⇄ 225 | 6500K | 180 | 233 | 157 | 252 | 182 |
| 226 ⇄ 255 | -- | 000 | 000 | 000 | 000 | 000 |

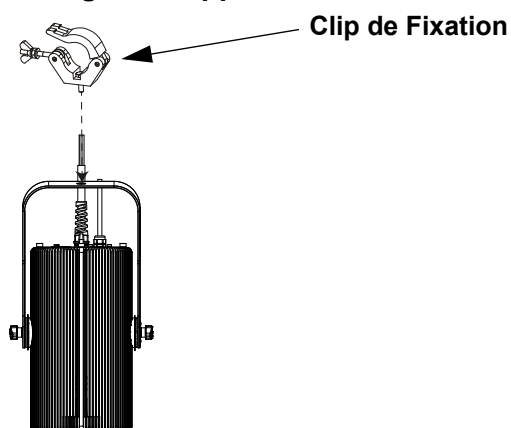


Remarque: Les températures de couleur ci-dessus sont des rendus simulés de la sortie de couleur effectivement générée par comparaison avec une lampe tungstène à la température de couleur spécifiée. Chauvet ne donne aucune garantie sur la précision de la sortie de couleur.

Installation

Avant de monter cet appareil, lisez et assimilez les [Consignes de Sécurité](#). Veillez à ce que les fixations sont capables de supporter le poids de l'unité. Découvrez notre gamme de fixations Chauvet sur <http://trusst.com/productcategory/truss-clamps/>

Schéma de Montage de l'Appareil



Montage en Hauteur



Montage au Sol

Description du Tableau de Commandes

| Bouton | Fonction |
|---------|---|
| <MENU> | Permet la sortie du menu ou de la fonction en cours |
| <ENTER> | Permet l'affichage du menu en cours ou permet de configurer la valeur en cours dans la fonction sélectionnée |
| <UP> | Permet de parcourir les listes ou les menus vers le haut, dans une fonction permet d'augmenter les valeurs numériques |
| <DOWN> | Permet de parcourir les listes ou les menus vers le bas, dans une fonction permet de diminuer les valeurs numériques |

Tableau de Menu

| Niveau Principal | Niveaux de Programmation | | Description |
|------------------|--------------------------|----------|---|
| DMX Address | Address | 001-510* | Permet de sélectionner l'adresse de démarrage (*le canal le plus élevé est restreint à la personnalité choisie) |

| Niveau Principal | Niveaux de Programmation | | | Description | |
|------------------------------|------------------------------|---|--|--|---|
| DMX Channel | 1CH | Virtual Color Wheel | | 1- canaux: RVBAL, VCW, température de la couleur | |
| | | Color Temperature | | | |
| | | Manual Color Mixer | | | |
| | | 3CH | | 3- canaux: gradateur, VCW, température de la couleur | |
| | | 5CH | | 5- canaux: RVBAL control | |
| | | 7CH | | 7- canaux: RVBAL control, gradateur, stroboscope | |
| | | 10CH | | 10- canaux: RVBAL control, gradateur, gradateur fin, stroboscope, VCW, température de la couleur | |
| | | 12CH | | 12- canaux: RVBAL, gradateur, stroboscope, macro de couleurs, effet d'anneau, vitesse gradateur, vitesse auto, VCW | |
| | | 13CH | | 13- canaux: 16-bit RVBAL control, gradateur, gradateur fin, stroboscope | |
| | 15CH | | 15- canaux: RVBAL control, gradateur, gradateur fin, stroboscope, VCW, température de la couleur | | |
| | HSV | | 3- canaux: hue, saturation, value | | |
| VCW (Virtual Color Wheel) | VCW (Virtual Color Wheel) | C3050 - Md Yellow C3040 - Lt Yellow C3240 - Amb Yellow C2340 - VLt Amber C2040 - Lt Amber C2050 - Md Amber C2060 - Dk Amber C1050 - Lt Red C1080 - Md Red C1020 - NC Pink C1030 - Md Pink C1630 - Dk Pink C1250 - Md Red Amber C1060 - Dk Red Amber C1650 - Magenta C6170 - Dk Magenta C6020 - Lt Lavender C5030 - Lt Blue C5020 - VLt Blue C5430 - Lt Blue 2 C5070 - Blue C5050 - Md Blue C5060 - Dk Blue C5690 - Indigo C5080 - Vdk Blue C5081 - Vdk Blue 2 C4370 - Yel Green C4070 - Green C4550 - Turquoise C4560 - Aqua C4570 - Blue Green | Dimmer | 000-255 | Roue de Couleurs Virtuelles (VCW) simule le rendu des gélamines de couleur. Consultez la section Gamme de Couleurs pour en connaître les valeurs spécifiques. |

| Niveau Principal | Niveaux de Programmation | | | Description | |
|------------------------------|----------------------------|-------|---------|-------------|---|
| VCW (Virtual Color Wheel) | CCT (Color Temperature) | 2800K | Dimmer | 000-255 | Températures de couleur de blanc prédéfinies. Simule une lampe tungstène à la température de couleur spécifiée. Référez vous à la section Gamme des températures de couleur pour les valeurs spécifiques. |
| | | 3200K | | | |
| 3500K | | | | | |
| 4000K | | | | | |
| 4500K | | | | | |
| 5000K | | | | | |
| 5600K | | | | | |
| 6000K | | | | | |
| MCM (Manual Color Mixer) | Red | | | 000-255 | Combine les couleurs rouge, vert, bleu, ambre et lime pour un résultat personnalisé (0-100%) |
| | Green | | | | |
| | Blue | | | | |
| | Amber | | | | |
| | Lime | | | | |
| Auto Show | Auto 1 | 1-100 | | | Sélectionne les programmes automatiques et vitesse auto |
| | Auto 2 | | | | |
| | Auto 3 | | | | |
| | Auto 4 | | | | |
| | Auto 5 | | | | |
| Master/Slave | Master | | | | Reçoit les signaux DMX du contrôleur DMX |
| | Slave | | | | Reçoit les signaux DMX du maître |
| Dimmer Mode | Off | | | | Courbes de gradation rapide (Dimmer1) à lent (Dimmer3) ou pas de gradateur (Off) |
| | Dimmer 1 | | | | |
| | Dimmer 2 | | | | |
| | Dimmer 3 | | | | |
| White Balance | Off | | | | Utilise le paramétrage de blanc définit en usine |
| | Manual | Red | 125-255 | | Définit la valeur maximale de LED rouge |
| | | Green | | | Définit la valeur maximale de LED verte |
| | | Blue | | | Définit la valeur maximale de LED bleue |
| | | Amber | | | Définit la valeur maximale de LED ambre |
| | | Lime | | | Définit la valeur maximale de LED lime |
| LED Frequency | 600Hz | | | | Permet de sélectionner la fréquence de sortie MLI |
| | 1200Hz | | | | |
| | 2000Hz | | | | |
| | 4000Hz | | | | |
| | 6000Hz | | | | |
| | 25KHz | | | | |
| Back Light | On | | | | Affichage retro-eclairage toujours active |
| | 10S | | | | Désactive l'affichage rétro-éclairage après 10 secondes d'inactivité |
| | 20S | | | | Désactive l'affichage rétro-éclairage après 20 secondes d'inactivité |
| | 30S | | | | Désactive l'affichage rétro-éclairage après 30 secondes d'inactivité |

| Niveau Principal | Niveaux de Programmation | | Description |
|------------------|--------------------------|---------|--|
| Wireless Setting | Receive On/Off | On | Permet d'activer/désactiver la fonction DMX sans fil. |
| | | Off | |
| | Receive Reset | No | Permet de réinitialiser le paramétrage sans fil. |
| | | Yes | |
| Emergency Mode | On | | Aucune action n'est déclenchée lors de la perte du signal DMX. |
| | Off | | Allume l'appareil lors de la perte du signal DMX. |
| Information | Fixture Hours | ---- | Affiche le nombre total des heures du produit |
| | Version | V__-V__ | Affiche la version du logiciel installée |
| | UID | ----- | Affiche UID actuel # |
| Factory Setting | No | | Permet de réinitialiser aux valeurs par défaut d'usine |
| | Yes | | |

Valeurs DMX

15 Ch

| Canal | Fonction | Valeur | Pourcentage/Configuration |
|-------|-----------------------------|------------------------|--|
| 1 | Gradateur | 000 ⇔ 255 | 0-100% |
| 2 | Gradateur Fin | 000 ⇔ 255 | 0-100% |
| 3 | Rouge | 000 ⇔ 255 | 0-100% |
| 4 | Rouge Fin | 000 ⇔ 255 | 0-100% |
| 5 | Vert | 000 ⇔ 255 | 0-100% |
| 6 | Vert Fin | 000 ⇔ 255 | 0-100% |
| 7 | Bleu | 000 ⇔ 255 | 0-100% |
| 8 | Bleu Fin | 000 ⇔ 255 | 0-100% |
| 9 | Ambre | 000 ⇔ 255 | 0-100% |
| 10 | Ambre Fin | 000 ⇔ 255 | 0-100% |
| 11 | Lime | 000 ⇔ 255 | 0-100% |
| 12 | Lime Fin | 000 ⇔ 255 | 0-100% |
| 13 | Stroboscope | 000 ⇔ 010 011 ⇔ 255 | Pas de fonction Stroboscope, lent à rapide |
| 14 | Roue de Couleurs Virtuelles | 000 ⇔ 255 | Consultez la section Roue de Couleurs Virtuelles (VCW) pour en connaître les valeurs spécifiques |
| 15 | Température de la Couleur | 000 ⇔ 255 | Consultez la section Gamme des températures de couleur pour les valeurs spécifiques |

13 Ch

| Canal | Fonction | Valeur | Pourcentage/Configuration |
|-------|---------------|------------------------|---|
| 1 | Gradateur | 000 ⇔ 255 | 0-100% |
| 2 | Gradateur Fin | 000 ⇔ 255 | 0-100% |
| 3 | Rouge | 000 ⇔ 255 | 0-100% |
| 4 | Rouge Fin | 000 ⇔ 255 | 0-100% |
| 5 | Vert | 000 ⇔ 255 | 0-100% |
| 6 | Vert Fin | 000 ⇔ 255 | 0-100% |
| 7 | Bleu | 000 ⇔ 255 | 0-100% |
| 8 | Bleu Fin | 000 ⇔ 255 | 0-100% |
| 9 | Ambre | 000 ⇔ 255 | 0-100% |
| 10 | Ambre Fin | 000 ⇔ 255 | 0-100% |
| 11 | Lime | 000 ⇔ 255 | 0-100% |
| 12 | Lime Fin | 000 ⇔ 255 | 0-100% |
| 13 | Stroboscope | 000 ⇔ 010 011 ⇔ 255 | Pas de fonction Stroboscope, lent à rapide |

FR

12 Ch

| Canal | Fonction | Valeur | Pourcentage/Configuration |
|-----------|-----------------------------|------------------------|--|
| 1 | Gradateur | 000 ⇔ 255 | 0-100% |
| 2 | Rouge | 000 ⇔ 255 | 0-100% |
| 3 | Vert | 000 ⇔ 255 | 0-100% |
| 4 | Bleu | 000 ⇔ 255 | 0-100% |
| 5 | Ambre | 000 ⇔ 255 | 0-100% |
| 6 | Lime | 000 ⇔ 255 | 0-100% |
| 7 | Stroboscope | 000 ⇔ 010 011 ⇔ 255 | Pas de fonction Stroboscope, lent à rapide |
| 8 | Roue de Couleurs Virtuelles | 000 ⇔ 255 | Consultez la section Roue de Couleurs Virtuelles (VCW) pour en connaître les valeurs spécifiques |
| 9 | Température de la Couleur | 000 ⇔ 255 | Consultez la section Gamme des températures de couleur pour les valeurs spécifiques |
| 10 | Programmes automatiques | 000 ⇔ 010 | No fonction |
| | | 011 ⇔ 060 | Auto programmes 1 |
| | | 061 ⇔ 110 | Auto programmes 2 |
| | | 111 ⇔ 160 | Auto programmes 3 |
| | | 161 ⇔ 210 | Auto programmes 4 |
| 211 ⇔ 255 | Auto programmes 5 | | |
| 11 | Vitesse auto | 000 ⇔ 255 | 0-100% |
| 12 | Vitesse du Gradateur | 000 ⇔ 051 | Vitesse du gradateur prédéfinie depuis le menu |
| | | 052 ⇔ 101 | Gradateur linéaire |
| | | 102 ⇔ 152 | Courbe de gradation non linéaire 1 (le plus rapide) |
| | | 153 ⇔ 203 | Courbe de gradation non linéaire 2 |
| | | 204 ⇔ 255 | Courbe de gradation non linéaire 3 (le moins rapide) |

10 Ch

| Canal | Fonction | Valeur | Pourcentage/Configuration |
|-------|-----------------------------|------------------------|--|
| 1 | Gradateur | 000 ⇔ 255 | 0-100% |
| 2 | Gradateur Fin | 000 ⇔ 255 | 0-100% |
| 3 | Rouge | 000 ⇔ 255 | 0-100% |
| 4 | Vert | 000 ⇔ 255 | 0-100% |
| 5 | Bleu | 000 ⇔ 255 | 0-100% |
| 6 | Ambre | 000 ⇔ 255 | 0-100% |
| 7 | Lime | 000 ⇔ 255 | 0-100% |
| 8 | Stroboscope | 000 ⇔ 010 011 ⇔ 255 | Pas de fonction Stroboscope, lent à rapide |
| 9 | Roue de Couleurs Virtuelles | 000 ⇔ 255 | Consultez la section Roue de Couleurs Virtuelles (VCW) pour en connaître les valeurs spécifiques |
| 10 | Température de la Couleur | 000 ⇔ 255 | Consultez la section Gamme des températures de couleur pour les valeurs spécifiques |

7 Ch

| Canal | Fonction | Valeur | Pourcentage/Configuration |
|-------|-------------|------------------------|---|
| 1 | Gradateur | 000 ⇔ 255 | 0-100% |
| 2 | Rouge | 000 ⇔ 255 | 0-100% |
| 3 | Vert | 000 ⇔ 255 | 0-100% |
| 4 | Bleu | 000 ⇔ 255 | 0-100% |
| 5 | Ambre | 000 ⇔ 255 | 0-100% |
| 6 | Lime | 000 ⇔ 255 | 0-100% |
| 7 | Stroboscope | 000 ⇔ 010 011 ⇔ 255 | Pas de fonction Stroboscope, lent à rapide |

5 Ch

| Canal | Fonction | Valeur | Pourcentage/Configuration |
|-------|----------|-----------|---------------------------|
| 1 | Rouge | 000 ⇔ 255 | 0-100% |
| 2 | Vert | 000 ⇔ 255 | 0-100% |
| 3 | Bleu | 000 ⇔ 255 | 0-100% |
| 4 | Ambre | 000 ⇔ 255 | 0-100% |
| 5 | Lime | 000 ⇔ 255 | 0-100% |

3 Ch

| Canal | Fonction | Valeur | Pourcentage/Configuration |
|-------|-----------------------------|-----------|--|
| 1 | Gradateur | 000 ⇔ 255 | 0-100% |
| 2 | Roue de Couleurs Virtuelles | 000 ⇔ 255 | Consultez la section Roue de Couleurs Virtuelles (VCW) pour en connaître les valeurs spécifiques |
| 3 | Température de la Couleur | 000 ⇔ 255 | Consultez la section Gamme des températures de couleur pour les valeurs spécifiques |

HSV

| Canal | Fonction | Valeur | Pourcentage/Configuration |
|-------|------------|-----------|---------------------------|
| 1 | Hue | 000 ⇔ 255 | 0-100% |
| 2 | Saturation | 000 ⇔ 255 | 0-100% |
| 3 | Value | 000 ⇔ 255 | 0-100% |

1 Ch

| Canal | Fonction | Valeur | Pourcentage/Configuration |
|-------|---------------------------------|-----------|---------------------------|
| 1 | Définir dans la Tableau de Menu | 000 ⇔ 255 | 0-100% |

Über diese Schnellanleitung

In der Schnellanleitung des Ovation H-605FC finden Sie die wesentlichen Produktinformationen, wie etwa über den Anschluss, die Montage, Menüoptionen und DMX-Werte des Geräts. Laden Sie für weiterführende Informationen unter www.chauvetprofessional.com das Benutzerhandbuch herunter.

Haftungsausschluss

Die in dieser Anleitung aufgeführten Informationen und Spezifikationen können ohne vorherige Ankündigung geändert werden.

EINGESCHRÄNKTE GARANTIE

ZUR REGISTRIERUNG FÜR GARANTIEANSPRÜCHE UND ZUR EINSICHT IN DIE VOLLSTÄNDIGEN GESCHÄFTSBEDINGUNGEN BESUCHEN SIE BITTE UNSERE WEBSITE.

Für Kunden in den USA und in Mexiko: www.chauvetlighting.com/warranty-registration.

Für Kunden im Vereinigten Königreich, in Irland, Belgien, den Niederlanden, Luxemburg, Frankreich und Deutschland: www.chauvetlighting.eu/warranty-registration.

Chauvet garantiert für die in der auf unserer Website veröffentlichten vollständigen eingeschränkten Garantie genannten Dauer und unter Vorbehalt der darin genannten Haftungsausschlüsse und -beschränkungen, dass dieses Produkt bei normalen Gebrauch frei von Material- und Verarbeitungsfehlern ist. Diese Garantie erstreckt sich nur auf den Erstkäufer des Produkts und ist nicht übertragbar. Zur Ausübung der unter dieser Garantie gewährten Rechte ist der Kaufbeleg in Form der Originalrechnung von einem autorisierten Händler vorzulegen, in der die Produktbezeichnung und das Kaufdatum vermerkt sein müssen. ES BESTEHEN KEINE WEITEREN AUSDRÜCKLICHEN ODER STILLSCHWEIGENDEN GARANTIEN. Diese Garantie gibt Ihnen besondere gesetzliche Rechte. Und Sie haben möglicherweise weitere Rechte, die von Land zu Land unterschiedlich sein können. Diese Garantie ist nur in den USA, im Vereinigten Königreich, in Irland, Belgien, den Niederlanden, Luxemburg, Frankreich, Deutschland und Mexiko gültig. Bezüglich der Garantiebestimmungen in anderen Ländern wenden Sie sich bitte an Ihren lokalen Händler.

Sicherheitshinweise

Diese Sicherheitshinweise enthalten wichtige Informationen über die Montage, Verwendung und Wartung des Geräts.

- Dieses Gerät NICHT öffnen. Die eingebauten Komponenten sind für den Kunden wartungsfrei.
- NIEMALS in die Lichtquelle schauen, während das Gerät eingeschaltet ist.
- Um unnötigen Verschleiß zu vermeiden und die Lebensdauer des Geräts zu verlängern, trennen Sie während längerer Perioden des Nichtgebrauchs das Gerät vom Stromnetz – entweder per Trennschalter oder durch Herausziehen des Steckers aus der Steckdose.
- VORSICHT: Beim Transport des Geräts von einer Umgebung mit außergewöhnlichen Temperaturen in eine andere solche Umgebung (z. B. aus einem kalten Transporter in einen warm-feuchten Ballsaal) kann an der im Gerät enthaltenen Elektronik Wasser kondensieren. Um einen Defekt zu vermeiden, muss sich das Gerät erst in der neuen Umgebung akklimatisiert haben, bevor es an die Stromversorgung angeschlossen werden kann.
- VORSICHT: Das Gehäuse dieses Produkts kann während des Betriebs heiß werden.
- Installieren Sie das Gerät an einem Ort mit ausreichender Belüftung und mit einem Abstand von mindestens 50 cm zu den angrenzenden Flächen.
- Belassen Sie KEINE entflammaren Materialien in einem Umkreis von 50 cm dieses Geräts, während es in Betrieb oder an der Stromversorgung angeschlossen ist.
- VERWENDEN Sie bei Montage über Kopf immer ein Sicherheitsseil.
- Nehmen sie das Gerät NICHT im Freien oder an einem Ort in Betrieb, der durch Staubentwicklung, übermäßige Hitze, Wasser oder hohe Luftfeuchtigkeit charakterisiert ist. (IP20)
- NIEMALS das Gerät in Betrieb nehmen, wenn Ihnen das Gehäuse, die Linsen oder das Kabel beschädigt erscheinen.
- Schließen Sie dieses Gerät NICHT an einen Dimmer oder Regelwiderstand an.
- Schließen Sie dieses Produkt NUR an einen mit der Erde verbundenen und geschützten Stromkreis an.
- Das Gerät NUR an den Hänge-/Befestigungsbügeln oder Griffen tragen.
- Bei ernsthaften Betriebsproblemen stoppen Sie umgehend die Verwendung des Geräts.
- Die maximal zulässige Umgebungstemperatur beträgt 45 °C. Nehmen Sie das Gerät nicht bei höheren Temperaturen in Betrieb.

Kontakt

Kunden außerhalb der USA, GB, Irland, Benelux, Frankreich, Deutschland, oder Mexiko wenden sich an ihren Lieferanten, um den Kundensupport in Anspruch zu nehmen oder ein Produkt zurückzuschicken. Kontaktinformationen finden Sie unter www.chauvetprofessional.com.

Packungsinhalt

- Ovation H-605FC
- 65°, 45° and 25° lenses
- 80° Filter
- Schnellanleitung

Wechselstrom

Dieses Gerät verfügt über ein Vorschaltgerät, das automatisch die anliegende Spannung erkennt, sobald der Netzstecker in die Schukosteckdose gesteckt wird, und kann mit einer Eingangsspannung von 100~240 V AC, 50/60 Hz arbeiten.

Serienschaltung der Geräte

Sie können bis zu 9 Ovation H-605FC Geräte bei 120 V AC, 16 Geräte bei 208 V und 17 Geräte bei 230 V AC in Serie schalten. Diese Anzahl niemals überschreiten! Stromkabel für die Serienschaltung können separat erworben werden.

Wechselstromstecker

| Anschluss | Draht (USA) | Draht (Europa) | Schraubenfarbe |
|--------------------------|-------------|----------------|--------------------|
| Stromführender AC-Leiter | Schwarz | Braun | Gelb/Messingfarben |
| AC-Neutralleiter | Weiß | Blau | Silber |
| AC-Erdungsleiter | Grün/Gelb | Grün/Gelb | Grün |



Um Verschleiß zu vermeiden und die Lebensdauer des Geräts zu verlängern, trennen Sie während längerer Perioden des Nichtgebrauchs das Gerät vom Stromnetz – entweder per Trennschalter oder durch Herausziehen des Steckers aus der Steckdose.

Auswechseln der Sicherung

1. Trennen Sie das Gerät vom Stromnetz.
2. Mit einem Flachkopfschraubendreher lösen Sie die Abdeckung des Sicherungshalters vom Gehäuse.
3. Entfernen Sie die durchgebrannte Sicherung, und ersetzen Sie diese durch eine Sicherung des gleichen Typs und mit den gleichen Werten.
4. Schrauben Sie die Abdeckung der Sicherung wieder ein, und schließen Sie das Gerät wieder an das Stromnetz an.

DMX-Verbindung

Die Ovation H-605FC kann mit einem DMX-Controller betrieben werden, wenn eine 5-polige DMX-Datenverbindung zum Einsatz kommt. Sie können sich eine Einführung in DMX unter www.chauvetprofessional.com herunterladen.

DMX-Anschluss

Der Ovation H-605FC nutzt zur Steuerung seiner DMX-Eigenschaften eine 5-polige DMX-Datenverbindung: **3 Ch, 5 Ch, 7 Ch, 10 Ch, 12 Ch, 13 Ch, 15 Ch**, und **HSV**. Informationen zum Anschließen und Konfigurieren des Geräts für einen DMX-Betrieb finden Sie in der Bedienungsanleitung.

Master/Slave-Schaltung

Der Ovation H-605FC verwendet für seinen Master/Slave-Modus eine DMX-Datenverbindung. Informationen zum Anschließen und Konfigurieren des Geräts für einen Master/Slave-Betrieb finden Sie in der Bedienungsanleitung.

RDM (Remote Device Management)

Remote Device Management bzw. RDM ist ein Standard, mit dem DMX-aktivierte Geräte bidirektional entlang bestehender DMX-Kabel kommunizieren können. Der STRIKE Saber unterstützt das RDM-Protokoll, über das Feedback zur Überwachung der Änderungen der Menüoptionen gegeben wird. Laden Sie für weiterführende Informationen unter www.chauvetprofessional.com das Benutzerhandbuch herunter.

Drahtloser Betrieb

Unter optimalen Bedingungen kann der Ovation H-605FC in einer Entfernung von bis zu 300 m vom drahtlosen DMX-Sender betrieben werden. Der drahtlose DMX-Empfänger des Ovation H-605FC muss mit dem drahtlosen DMX-Sender für den Drahtlos-Betrieb gekoppelt werden.

Ersteinrichtung

1. Schalten Sie den drahtlosen DMX-Sender ein.
2. Schließen Sie den drahtlosen DMX-Sender an einen DMX-Controller an.
3. Platzieren Sie den Ovation H-605FC in einer Entfernung von maximal 300 m zum drahtlosen DMX-Sender.
4. Schalten Sie den Ovation H-605FC ein.

Konfiguration

1. Rufen Sie auf dem Bedienfeld des Ovation H-605FC **DMX Address** auf.
2. Wählen Sie wie bei jedem anderen DMX-kompatiblen Gerät die Startadresse aus.
3. Wählen Sie **Wireless Setting > Receive On/Off**.
4. Wählen Sie **On**. (Die Signalstärkeanzeige zeigt ein ? vor den Balken an.)
5. Drücken Sie auf die Reset-Taste auf dem drahtlosen DMX-Sender. (Die Signalstärkeanzeige auf dem Ovation H-605FC zeigt für 3 Sekunden, während eine Verbindung hergestellt wird, ein 4 in vor den Balken an.)

Geräte-Pairing

Wurde der Ovation H-605FC bereits mit dem drahtlosen DMX-Sender gekoppelt, zeigt die Signalstärkeanzeige in der Mitte des OLED-Bildschirms die Stärke des Signals an. In diesem Fall ist der Ovation H-605FC bereit für einen Betrieb im Drahtlos-Modus.

Koppeln des Ovation H-605FC mit dem neuen drahtlosen DMX-Sender

1. Rufen Sie auf dem Bedienfeld des Ovation H-605FC **Wireless Setting** .
2. Wählen Sie **Receive Reset**. Die Signalstärkeanzeige auf dem Ovation H-605FC zeigt ein ? vor den Balken an.
3. Drücken Sie auf dem drahtlosen DMX-Sender auf **<RESET>** (Die Signalanzeige auf dem Sender blinkt).
4. Sobald der Sender den Ovation H-605FC, gefunden hat, leuchtet die Signalanzeige auf dem drahtlosen DMX-Sender dauerhaft.
5. Die Signalstärkeanzeige in der Mitte des OLED-Bildschirms des Ovation H-605FC zeigt die Stärke des Signals an



Ein drahtloser DMX-Betrieb kann durch Flüssigkeiten o. Ä. zwischen Sender und Empfänger, wie etwa Wasser, Schnee oder Menschen, unterbrochen oder behindert werden. Für beste Ergebnisse sollte daher der Bereich zwischen Sender und Empfänger von Flüssigkeiten o. Ä. freigehalten werden.

Virtuelles Farbrad (VCW)

Der Ovation H-605FC verfügt über eine Funktion mit der Bezeichnung Virtuelles Farbrad (Virtual Color Wheel, VCW). Diese Funktion steht als Stand-alone-Steuerungsmodus für die manuelle Bedienung sowie als Steuerungskanal bei ausgewählten DMX-Eigenschaften zur Verfügung. Es sind mehr als 30 von unseren Technikern vorgemischte Farben verfügbar, um die Programmierung einfacher zu gestalten. Die zum Mischen dieser Farben verwendeten DMX-Werte sind nachstehend angegeben. Sie können die Gesamtintensität des Ovation anpassen, um die Farben, mit denen Sie vertraut sind, besser nachzubilden. Auf unserer Website www.chauvetprofessional.com finden Sie eine Tabelle, mit deren Hilfe Sie unsere vorgemischten Farben mit beliebigen Gel-Farben vergleichen können. Diese Tabelle dient einzig Vergleichszwecken und ist keine Gewähr dafür, dass unsere vorgemischten Farben mit einer der aufgeführten Gel-Farben übereinstimmen.

Tabelle: Virtuelles Farbrad

| DMX-Kanal-Wert | Anzeige auf Display | Roter Wert | Grüner Wert | Blauer Wert | Bernsteinfarbener Wert | Neongrüner Wert |
|----------------|-----------------------------|------------|-------------|-------------|------------------------|-----------------|
| 000 ⇔ 005 | -- | 000 | 000 | 000 | 000 | 000 |
| 006 ⇔ 013 | C3050 - Md Yellow | 233 | 163 | 020 | 123 | 255 |
| 014 ⇔ 021 | C3040 - Lt Yellow | 224 | 158 | 047 | 255 | 231 |
| 022 ⇔ 028 | C3240 - Amb Yellow | 180 | 060 | 000 | 245 | 255 |
| 029 ⇔ 035 | C2340 - VLt Amber | 245 | 107 | 081 | 255 | 213 |
| 036 ⇔ 043 | C2040 - Lt Amber | 230 | 130 | 062 | 255 | 155 |
| 044 ⇔ 051 | C2050 - Md Amber | 255 | 000 | 025 | 255 | 194 |
| 052 ⇔ 059 | C2060 - Dk Amber | 255 | 000 | 024 | 255 | 150 |
| 060 ⇔ 067 | C1050 - Lt Red | 255 | 037 | 027 | 030 | 038 |
| 068 ⇔ 075 | C1080 - Md Red | 255 | 004 | 017 | 000 | 000 |
| 076 ⇔ 083 | C1020 - NC Pink | 238 | 135 | 129 | 255 | 255 |
| 084 ⇔ 091 | C1030 - Md Pink | 255 | 131 | 120 | 255 | 195 |
| 092 ⇔ 099 | C1630 - Dk Pink | 250 | 165 | 123 | 255 | 210 |
| 100 ⇔ 107 | C1250 - Md Red Amber | 255 | 000 | 041 | 195 | 055 |
| 108 ⇔ 115 | C1060 - Dk Red Amber | 255 | 000 | 045 | 120 | 030 |
| 116 ⇔ 121 | C1650 - Magenta | 255 | 050 | 115 | 255 | 115 |
| 122 ⇔ 130 | C6170 - Dk Magenta | 255 | 035 | 117 | 000 | 000 |
| 131 ⇔ 138 | C6020 - Lt Lavender | 127 | 122 | 142 | 251 | 255 |
| 139 ⇔ 146 | C5030 - Lt Blue | 000 | 255 | 197 | 100 | 255 |
| 147 ⇔ 154 | C5020 - VLt Blue | 158 | 255 | 189 | 000 | 255 |
| 155 ⇔ 162 | C5430 - Lt Blue 2 | 000 | 255 | 180 | 000 | 243 |
| 163 ⇔ 170 | C5070 - Blue | 043 | 255 | 210 | 043 | 036 |
| 171 ⇔ 178 | C5050 - Md Blue | 000 | 255 | 218 | 000 | 181 |
| 179 ⇔ 186 | C5060 - Dk Blue | 000 | 210 | 206 | 000 | 118 |
| 187 ⇔ 194 | C5690 - Indigo | 065 | 000 | 210 | 040 | 055 |
| 195 ⇔ 202 | C5080 - VDk Blue | 000 | 203 | 230 | 000 | 040 |
| 203 ⇔ 210 | C5081 - VDk Blue2 | 040 | 199 | 240 | 000 | 045 |
| 211 ⇔ 218 | C4370 - Yel Green | 027 | 255 | 028 | 016 | 104 |
| 219 ⇔ 226 | C4070 - Green | 049 | 255 | 055 | 120 | 090 |
| 227 ⇔ 234 | C4550 - Turquoise | 060 | 230 | 109 | 000 | 245 |
| 235 ⇔ 242 | C4560 - Aqua | 020 | 240 | 126 | 036 | 255 |
| 243 ⇔ 250 | C4570 - Blue Green | 000 | 255 | 079 | 030 | 053 |
| 251 ⇔ 255 | -- | 000 | 000 | 000 | 000 | 000 |



Hinweis: Die oben genannten Farben sind simulierte Ähnlichkeiten der Farbausgabe im Vergleich zu anderen, ähnlich weißglühenden Produkten. Chauvet gibt keine Gewährleistung bezüglich der Genauigkeit der Farbausgabe.

Farbtemperatur-Tabelle

| DMX-Kanal-Wert | Anzeige auf Display | Roter Wert | Grüner Wert | Blauer Wert | Bernsteinfarbener Wert | Neongrüner Wert |
|----------------|---------------------|------------|-------------|-------------|------------------------|-----------------|
| 000 ⇔ 005 | -- | 000 | 000 | 000 | 000 | 000 |
| 006 ⇔ 025 | 2800K | 255 | 199 | 107 | 253 | 255 |
| 026 ⇔ 050 | 3200K | 253 | 247 | 129 | 255 | 255 |
| 051 ⇔ 075 | 3500K | 234 | 255 | 141 | 253 | 255 |
| 076 ⇔ 100 | 4000K | 204 | 255 | 156 | 243 | 255 |
| 101 ⇔ 125 | 4500K | 181 | 248 | 166 | 224 | 255 |
| 126 ⇔ 150 | 5000K | 160 | 255 | 180 | 241 | 255 |
| 151 ⇔ 175 | 5600K | 138 | 255 | 191 | 241 | 255 |
| 176 ⇔ 200 | 6000K | 147 | 255 | 193 | 203 | 255 |
| 201 ⇔ 225 | 6500K | 142 | 251 | 197 | 187 | 255 |
| 226 ⇔ 255 | -- | 000 | 000 | 000 | 000 | 000 |

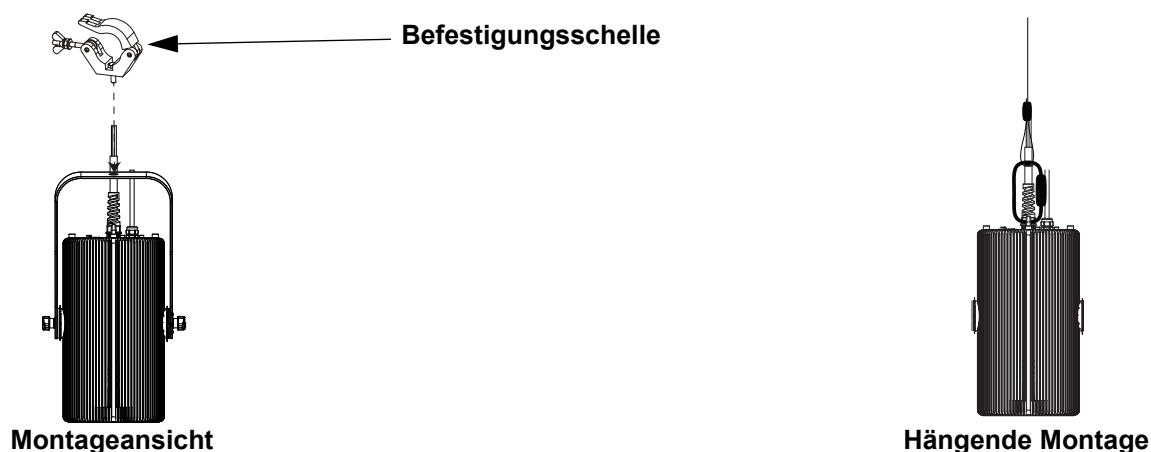


Hinweis: Die oben genannten Farbtemperaturen sind simulierte Ähnlichkeiten der Farbausgabe im Vergleich zu einer Wolframlampe mit spezifizierter Farbtemperatur. Chauvet gibt keine Gewährleistung bezüglich der Genauigkeit der Farbausgabe.

Montage

Lesen Sie vor der Montage dieses Geräts die [Sicherheitshinweise](#). Mindestens einen Befestigungspunkt pro Gerät verwenden. Stellen Sie sicher, dass die Befestigungsklemmen dafür ausgelegt sind, das Produktgewicht tragen zu können. Informationen zu unserer CHAUVET-Produktlinie für Befestigungsklemmen finden Sie unter <http://trusst.com/productcategory/truss-clamps/>

Ansicht Gerätemontage



Beschreibung des Bedienfeldes

| Taste/Drehknopf | Funktion |
|-----------------|--|
| <MENU> | Damit verlassen Sie das aktuelle Menü oder die Funktion. |
| <ENTER> | Damit wird das aktuell angezeigte Menü aktiviert oder der aktuell ausgewählte Wert einer Funktion eingestellt |
| <UP> | Damit navigieren Sie sich durch die Menüpunkte nach oben und erhöhen den numerischen Wert der entsprechenden Funktion. |
| <DOWN> | Damit navigieren Sie sich durch die Menüpunkte nach unten und verringern den numerischen Wert der entsprechenden Funktion. |

Menüstruktur

| Hauptebene | Programmirebenen | Beschreibung |
|-------------|------------------|---|
| DMX Address | 001–510* | Wählt die DMX-Adresse aus (der höchste Kanal ist auf die gewählte Eigenschaft beschränkt) |
| DMX Channel | 1 Ch | Virtual Color Wheel Color Temperature Manual Color Mixer |
| | 3 Ch | 3-Kanal: Dimmer, VCW, Farbtemperatur |
| | 5 Ch | 5-Kanal: RGBAL |

| Hauptebene | Programmirebenen | | Beschreibung | |
|---------------------|---------------------|-----------------|--|--|
| DMX Channel | 7 Ch | | 7-Kanal: Dimmer, RGBAL, Stroboskopeffekt | |
| | 10 Ch | | 10-Kanal: 16-Bit-Dimmer, RGBAL, Stroboskopeffekt, VCW, Farbtemperatur, | |
| | 12 Ch | | 12-Kanal: 16-Bit-Dimmer, 16-Bit-RGBW, Stroboskopeffekt, VCW, Farbtemperatur, Auto-Show | |
| | 13 Ch | | 13-Kanal: Dimmer, RGBAL, Stroboskopeffekt, | |
| | 15 Ch | | 15-Kanal: 16-Bit-Dimmer, 16-Bit-RGBAL, Stroboskopeffekt, VCW, Farbtemperatur | |
| | HSV | | 3-Kanal: Farbton, Farbsättigung, Farbwert | |
| Virtual Color Wheel | Virtual Color Wheel | C3050-Md Yellow | Dimmer <000–255> | Das Virtuelle Farbrad simuliert die Ausgabe jeder Gel-Farbe. Für spezifische Werte, siehe den Abschnitt Tabelle: Virtuelles Farbrad |
| | | C3040-Lt Yellow | | |
| C3240-Amb Yellow | | | | |
| C2340-VLt Amber | | | | |
| C2040-Lt Amber | | | | |
| C2050-Md Amber | | | | |
| C2060-Dk Amber | | | | |
| C1050-Lt Red | | | | |
| C1080-Md Red | | | | |
| C1020-NC Pink | | | | |
| C1030-Md Pink | | | | |
| C1630-Dk Pink | | | | |
| C1250-Md Red Amber | | | | |
| C1060-Dk Red Amber | | | | |
| C1650-Magenta | | | | |
| C6170-Dk Magenta | | | | |
| C6020-Lt Lavender | | | | |
| C5030-Lt Blue | | | | |
| C5020-VLt Blue | | | | |
| C5430-Lt Blue2 | | | | |
| C5070-Blue | | | | |
| C5050-Md Blue | | | | |
| C5060-Dk Blue | | | | |
| C5690- Indigo | | | | |
| C5080-VDk Blue | | | | |
| C5081-VDk Blue2 | | | | |
| C4370-Yel Green | | | | |
| C4070-Green | | | | |
| C4550-Turquoise | | | | |
| C4560-Aqua | | | | |
| C4570-Blue Green | | | | |
| Virtual Color Wheel | Color Temperature | 2800K | <000–255> | Voreinstellung der weißen Farbtemperaturen. Bildet eine Wolframlampe mit der spezifizierten Farbtemperatur ab. Für spezifische Werte, siehe den Abschnitt Farbtemperatur-Tabelle . |
| | | 3200K | | |
| | | 3500K | | |
| | | 4000K | | |
| | | 4500K | | |
| | | 5000K | | |
| | | 5600K | | |
| | | 6000K | | |
| | | 6500K | | |
| Virtual Color Wheel | Manual Color Mixer | Red | | Kombiniert rote, grüne, blaue, bernsteinfarbene und neongrüne Farben zu einer benutzerdefinierten Farbe (0–100%) |
| | | Green | | |
| | | Blue | | |
| | | Amber | | |
| | | Lime | | |

| Hauptebene | Programmirebenen | | Beschreibung | |
|-------------------------|-----------------------|--|--|---|
| Auto Show | Auto 1–5 | <001–100> | Wählt das Auto-Programm und die Programm-Geschwindigkeit aus | |
| Master/ Slave | Master | | DMX-Modus (Master) | |
| | Slave | | Slave-Modus | |
| Dimmer Mode | Off | | Linearer Dimmer | |
| | Dimmer 1–3 | | Dimmungskurven Dimmer 1 (schnell) nach Dimmer 3 (langsam) | |
| White Balance | Off | | Verwendet die werksseitig voreingestellte Standardeinstellung "Weiß" | |
| | Manual | Red | <125–255> | Stellt den maximalen Wert der roten LED ein |
| | | Green | | Stellt den maximalen Wert der grünen LED ein |
| | | Blue | | Stellt den maximalen Wert der blauen LED ein |
| | | Amber | | Stellt den maximalen Wert der bernsteinfarbenen LED ein |
| Lime | | Stellt den maximalen Wert der neongrünen LED ein | | |
| LED Frequency | 600Hz | | Stellt die PWM-Frequenz ein | |
| | 1200Hz | | | |
| | 2000Hz | | | |
| | 4000Hz | | | |
| | 6000Hz | | | |
| | 25KHz | | | |
| Back Light | On | | Hintergrundbeleuchtung immer an | |
| | 10S | | Damit wird die Hintergrundbeleuchtung der Anzeige nach 10 Sekunden Inaktivität ausgeschaltet | |
| | 20S | | Damit wird die Hintergrundbeleuchtung der Anzeige nach 20 Sekunden Inaktivität ausgeschaltet | |
| | 30S | | Damit wird die Hintergrundbeleuchtung der Anzeige nach 30 Sekunden Inaktivität ausgeschaltet | |
| Wireless Setting | Receive On/Off | On | Damit aktivieren/deaktivieren Sie drahtloses DMX | |
| | | Off | | |
| | Receive Reset | No | Setzt den internen Empfänger zurück | |
| | | Yes | | |
| Emergency Mode | On | | Schaltet das Produkt ein, wenn das DMX-Signal verloren geht | |
| | Off | | Wenn das DMX-Signal verloren geht, wird keine Aktion ausgeführt | |
| Information | Fixture Hours | <_ _H> | Zeigt an, wie lange das Gerät eingeschaltet gewesen ist | |
| | Version | <V _.> | Zeigt die aktuelle Firmware-Version an | |
| | UID | <_ _ _ _ _ _ _ _ _ _> | Zeigt die Geräte-UID an | |
| Reset Factory | No | | Damit stellen Sie das Gerät auf die Werkseinstellungen zurück | |
| | Yes | | | |



WARNUNG: Wenn Sie im Lüftermodus arbeiten: Aus, wird das Gerät bei Berührung heißer als bei Verwendung anderer Lüftermodi. Verwenden Sie geeignete Schutzausrüstung, um Verbrennungen zu vermeiden. Halten Sie einen Sicherheitsabstand zu brennbaren Gegenständen ein.



HINWEIS: Im Lüftermodus: Aus wird der Ausgang des Geräts reduziert und erreicht nicht die gleichen Pegel wie bei Verwendung anderer Lüftermodi.

DMX-Werte

15 Ch

| Kanal | Funktion | Wert | Prozent/Einstellung |
|-------|---------------------|-----------|---------------------|
| 1 | Dimmer | 000 ⇄ 255 | 0–100% |
| 2 | Dimmer, fein | 000 ⇄ 255 | 0–100% |

| Kanal | Funktion | Wert | Prozent/Einstellung |
|-------|-----------------------|------------------------|--|
| 3 | Rot | 000 ⇔ 255 | 0–100% |
| 4 | Rot, fein | 000 ⇔ 255 | 0–100% |
| 5 | Grün | 000 ⇔ 255 | 0–100% |
| 6 | Grün, fein | 000 ⇔ 255 | 0–100% |
| 7 | Blau | 000 ⇔ 255 | 0–100% |
| 8 | Blau, fein | 000 ⇔ 255 | 0–100% |
| 9 | Bernsteinfarben | 000 ⇔ 255 | 0–100% |
| 10 | Bernsteinfarben, fein | 000 ⇔ 255 | 0–100% |
| 11 | Neongrün | 000 ⇔ 255 | 0–100% |
| 12 | Neongrün, fein | 000 ⇔ 255 | 0–100% |
| 13 | Stroboskop | 000 ⇔ 010 011 ⇔ 255 | Keine Funktion Blitzfrequenz (von langsam nach schnell) |
| 14 | Virtuelles Farbrad | 000 ⇔ 255 | Siehe Tabelle: Virtuelles Farbrad |
| 15 | Farbtemperatur | 000 ⇔ 255 | Siehe Farbtemperatur-Tabelle |

13 Ch

| Kanal | Funktion | Wert | Prozent/Einstellung |
|-------|-----------------------|------------------------|--|
| 1 | Dimmer | 000 ⇔ 255 | 0–100% |
| 2 | Dimmer, fein | 000 ⇔ 255 | 0–100% |
| 3 | Rot | 000 ⇔ 255 | 0–100% |
| 4 | Rot, fein | 000 ⇔ 255 | 0–100% |
| 5 | Grün | 000 ⇔ 255 | 0–100% |
| 6 | Grün, fein | 000 ⇔ 255 | 0–100% |
| 7 | Blau | 000 ⇔ 255 | 0–100% |
| 8 | Blau, fein | 000 ⇔ 255 | 0–100% |
| 9 | Bernsteinfarben | 000 ⇔ 255 | 0–100% |
| 10 | Bernsteinfarben, fein | 000 ⇔ 255 | 0–100% |
| 11 | Neongrün | 000 ⇔ 255 | 0–100% |
| 12 | Neongrün, fein | 000 ⇔ 255 | 0–100% |
| 13 | Stroboskop | 000 ⇔ 010 011 ⇔ 255 | Keine Funktion Blitzfrequenz (von langsam nach schnell) |

12 Ch

| Kanal | Funktion | Wert | Prozent/Einstellung |
|-------|------------------------------------|--|--|
| 1 | Dimmer | 000 ⇔ 255 | 0–100% |
| 2 | Rot | 000 ⇔ 255 | 0–100% |
| 3 | Grün | 000 ⇔ 255 | 0–100% |
| 4 | Blau | 000 ⇔ 255 | 0–100% |
| 5 | Bernsteinfarben | 000 ⇔ 255 | 0–100% |
| 6 | Neongrün | 000 ⇔ 255 | 0–100% |
| 7 | Stroboskop | 000 ⇔ 010 011 ⇔ 255 | Keine Funktion Blitzfrequenz (von langsam nach schnell) |
| 8 | Virtuelles Farbrad | 000 ⇔ 255 | Siehe Tabelle: Virtuelles Farbrad |
| 9 | Farbtemperatur | 000 ⇔ 255 | Siehe Farbtemperatur-Tabelle |
| 10 | Auto-Programme | 000 ⇔ 010 011 ⇔ 060 061 ⇔ 110 111 ⇔ 160 161 ⇔ 210 211 ⇔ 255 | Keine Funktion Auto-Programm 1 Auto-Programm 2 Auto-Programm 3 Auto-Programm 4 Auto-Programm 5 |
| 11 | Geschwindigkeit des Auto-Programms | 000 ⇔ 255 | Auto-Geschwindigkeit (von langsam nach schnell) |
| 12 | Dimmungs-Geschwindigkeits-Modus | 000 ⇔ 051 052 ⇔ 101 102 ⇔ 152 153 ⇔ 203 204 ⇔ 255 | Keine Funktion Dimmungs-Geschwindigkeits-Modus aus Dimmungs-Geschwindigkeits-Modus 1 Dimmungs-Geschwindigkeits-Modus 2 Dimmungs-Geschwindigkeits-Modus 3 |

10 Ch

| Kanal | Funktion | Wert | Prozent/Einstellung |
|-------|--------------------|------------------------|--|
| 1 | Dimmer | 000 ⇄ 255 | 0–100% |
| 2 | Dimmer, fein | 000 ⇄ 255 | 0–100% |
| 3 | Rot | 000 ⇄ 255 | 0–100% |
| 4 | Grün | 000 ⇄ 255 | 0–100% |
| 5 | Blau | 000 ⇄ 255 | 0–100% |
| 6 | Bernsteinfarben | 000 ⇄ 255 | 0–100% |
| 7 | Neongrün | 000 ⇄ 255 | 0–100% |
| 8 | Stroboskop | 000 ⇄ 010 011 ⇄ 255 | Keine Funktion Blitzfrequenz (von langsam nach schnell) |
| 9 | Virtuelles Farbrad | 000 ⇄ 255 | Siehe Tabelle: Virtuelles Farbrad |
| 10 | Farbtemperatur | 000 ⇄ 255 | Siehe Farbtemperatur-Tabelle |

7 Ch

| Kanal | Funktion | Wert | Prozent/Einstellung |
|-------|-----------------|------------------------|--|
| 1 | Dimmer | 000 ⇄ 255 | 0–100% |
| 2 | Rot | 000 ⇄ 255 | 0–100% |
| 3 | Grün | 000 ⇄ 255 | 0–100% |
| 4 | Blau | 000 ⇄ 255 | 0–100% |
| 5 | Bernsteinfarben | 000 ⇄ 255 | 0–100% |
| 6 | Neongrün | 000 ⇄ 255 | 0–100% |
| 7 | Stroboskop | 000 ⇄ 010 011 ⇄ 255 | Keine Funktion Blitzfrequenz (von langsam nach schnell) |

5 Ch

| Kanal | Funktion | Wert | Prozent/Einstellung |
|-------|-----------------|-----------|---------------------|
| 1 | Rot | 000 ⇄ 255 | 0–100% |
| 2 | Grün | 000 ⇄ 255 | 0–100% |
| 3 | Blau | 000 ⇄ 255 | 0–100% |
| 4 | Bernsteinfarben | 000 ⇄ 255 | 0–100% |
| 5 | Neongrün | 000 ⇄ 255 | 0–100% |

3 Ch

| Kanal | Funktion | Wert | Prozent/Einstellung |
|-------|--------------------|-----------|---|
| 1 | Dimmer | 000 ⇄ 255 | 0–100% |
| 2 | Virtuelles Farbrad | 000 ⇄ 255 | Siehe Tabelle: Virtuelles Farbrad |
| 3 | Farbtemperatur | 000 ⇄ 255 | Siehe Farbtemperatur-Tabelle |

HSV

| Kanal | Funktion | Wert | Prozent/Einstellung |
|-------|--------------|-----------|---------------------|
| 1 | Schattierung | 000 ⇄ 255 | 0–100% |
| 2 | Sättigung | 000 ⇄ 255 | 0–100% |
| 3 | Wert | 000 ⇄ 255 | 0–100% |

1 Ch

| Kanal | Funktion | Wert | Prozent/Einstellung |
|-------|-------------------------------|-----------|---------------------|
| 1 | In der Menüstruktur festlegen | 000 ⇄ 255 | 0–100% |

Over deze handleiding

De Ovation H-605FC Beknopte Handleiding (BH) bevat basisinformatie over het product, zoals aansluiting, montage, menu-opties en DMX-waarden. Download de gebruikershandleiding op www.chauvetprofessional.com voor meer informatie.

Disclaimer

De informatie en specificaties in deze BH kunnen zonder voorafgaande kennisgeving worden gewijzigd.

BEPERKTE GARANTIE

GA NAAR ONZE WEBSITE VOOR REGISTRATIE VAN DE GARANTIE EN DE VOLLEDIGE ALGEMENE VOORWAARDEN.

Voor klanten in de Verenigde Staten en Mexico: www.chauvetlighting.com/warranty-registration.

Voor klanten in het Verenigd Koninkrijk, Ierland, België, Nederland, Luxemburg, Frankrijk en Duitsland: www.chauvetlighting.eu/warranty-registration.

Chauvet garandeert dat dit product bij normaal gebruik vrij zal blijven van defecten in materiaal en vakmanschap, voor de opgegeven periode en onder voorbehoud van de uitzonderingen en beperkingen die zijn uiteengezet in de volledige beperkte garantie op onze website. Deze garantie geldt uitsluitend voor de oorspronkelijke koper van het product en is niet overdraagbaar. Om onder deze garantie rechten uit te oefenen, moet u een aankoopbewijs overleggen in de vorm van een origineel verkoopbewijs van een geautoriseerde dealer, waarop de naam van het product en de aankoopdatum zichtbaar zijn. ER ZIJN GEEN ANDERE EXPLICIETE OF IMPLICIETE GARANTIES. Deze garantie geeft u specifieke wettelijke rechten. Mogelijk heeft u ook andere rechten die van staat tot staat en van land tot land verschillen. Deze garantie is uitsluitend geldig in de Verenigde Staten, het Verenigd Koninkrijk, Ierland, België, Nederland, Luxemburg, Frankrijk, Duitsland en Mexico. Neem contact op met uw lokale verkoper voor garantievoorwaarden in andere landen.

Veiligheids instructies

- Open het product NIET. Het bevat geen te onderhouden onderdelen.
- KIJK NIET in de lichtbron wanneer het apparaat is ingeschakeld.
- Om onnodige slijtage te elimineren en zijn levensduur te verlengen, gedurende perioden wanneer het product niet wordt gebruikt, moet u het product van de stroom afsluiten door een aardlekschakelaar om te zetten of door het te ontkoppelen.
- LET OP: Bij het verplaatsen van het product uit extreme omgevingen, (bijv. koude vrachtwagen naar warme, vochtige balzaal) kan er condensvorming optreden op de elektronica van het product. Om storingen te vermijden moet het product volledig kunnen acclimatiseren aan de omgeving voordat het op stroom wordt aangesloten.
- LET OP: De behuizing van dit product kan heet zijn wanneer het in bedrijf is.
- Monteer dit product op een plek met voldoende ventilatie, ten minste 50 cm van de aangrenzende oppervlakken.
- Plaats geen ontvlambaar materiaal binnen 50 cm van dit product als het in gebruik is of is aangesloten op het stopcontact.
- GEBRUIK een veiligheidskabel bij het boven het hoofd plaatsen van dit product.
- Gebruik dit product NIET buitenshuis of op een locatie waar stof, grote warmte, water of vochtigheid het kunnen beïnvloeden.
- Gebruik dit product NIET als de behuizing, lenzen of kabels beschadigd lijken.
- Sluit dit product NIET aan op een dimmer of een regelweerstand.
- Sluit dit product UITSLUITEND op een geaard en beveiligd stroomcircuit.
- Gebruik UITSLUITEND de ophang-/montagebeugels of de hendels om dit product te dragen.
- Stop in het geval van ernstige operationele problemen onmiddellijk met het gebruik.
- De maximale omgevingstemperatuur bedraagt 45 °C. Gebruik dit product niet bij hogere temperaturen.

Contact

Van buiten de VS, Verenigd Koninkrijk, Ierland, Mexico of Benelux kunt u contact opnemen met de distributeur of om ondersteuning vragen dan wel het product retourneren. Ga naar [Contact Us](#) voor contactinformatie.

Wat is inbegrepen

- Ovation H-605FC
- 65°, 45° en 25° lenzen
- 80° Filter
- Eierkrat
- Beknopte handleiding

AC-stroom

Dit product heeft een voeding met automatisch bereik die werkt met een ingangsspanning van 100–240 VAC, 50/60 Hz.

De zekering vervangen

1. Ontkoppel dit product van de stroom.

2. Gebruik een kruiskopschroevendraaier nr. 2 en schroef de kap van de zekeringshouder los van de behuizing.
3. Verwijder de doorgebrande zekering en vervang het met een werkende zekering van hetzelfde type en met dezelfde waarde.
4. Schroef de kap van de zekeringhouder terug en steek de stekker er weer in.

AC-stekker

| Aansluiting | Snoer (VS) | Snoer (Europa) | Schroefkleur |
|-------------|------------|----------------|--------------|
| AC Live | Zwart | Bruin | Geel/messing |
| AC Neutraal | Wit | Blauw | Zilver |
| AC Aarde | Groen/geel | Groen/geel | Groen |



Om onnodige slijtage te elimineren en zijn levensduur te verlengen, gedurende perioden wanneer het product niet wordt gebruikt, moet u het product van de stroom afsluiten door een aardlekschakelaar om te zetten of door het te ontkoppelen.

DMX-koppeling

De Ovation H-605FC kan met een DMX-controller werken met een normale DMX seriële verbinding. Op www.chauvetprofessional.com is een DMX basishandleiding verkrijgbaar.

DMX-aansluiting

De Ovation H-605FC gebruikt een normale DMX-gegevensverbinding voor zijn DMX-persoonlijkheden: **1, 3, 5, 7, 10, 12, 13, 15**, en **HSV**. Zie de gebruikershandleiding om te verbinden en te configureren voor DMX-werking.

Master/slave-verbinding

De Ovation H-605FC maakt gebruik van de DMX-dataverbinding voor haar Master-/Slave-modus. Zie de gebruikershandleiding om te verbinden en te configureren voor Master/Slave-werking.

RDM (apparaatbeheer op afstand)

Remote Device Management of RDM (apparaatbeheer op afstand) is een standaard die het voor DMX-apparaten mogelijk maakt om in twee richtingen te communiceren over bestaande DMX-kabels. De Ovation H-605FC ondersteunt het RDM-protocol dat zorgt feedback toelaat bij de bewaking van wijzigingen aan de menu map-opties van. Download de gebruikershandleiding op www.chauvetprofessional.com voor meer informatie.

Draadloze bediening

In optimale omstandigheden, kan de Ovation H-605FC werken tot een afstand van 300 m van de W-DMX zender. De W-DMX ontvanger in de Ovation H-605FC moet met de W-DMX zender zijn gekoppeld voor draadloze werking.

Eerste opstelling

1. Schakel de W-DMX-zender in
2. Sluit de W-DMX-zender aan op een DMX-regelaar.
3. Plaats de Ovation H-605FC binnen 300 m van de W-DMX-zender.
4. Ontkoppel alle DMX-kabels van de Ovation H-605FC.
5. Schakel de Ovation H-605FC in.

Configuratie

1. Ga vanuit het bedieningspaneel van de Ovation H-605FC naar het **DMX Address**.
2. Kies het startadres, zoals bij elk ander DMX-compatibel product.
3. Ga naar **Wireless Setting > Receive On/Off**.
4. Kier **On**. (De aanduiding van de signaalsterkte toont een ? voor de streepjes)
5. Druk op de W-DMX-zender op de resetknop. (De indicator van de signaalsterkte op de Ovation H-605FC toont 3 seconden een ⚡ voor de streepjes terwijl een verbinding wordt opgestart.)

Koppelen van het product

Als de Ovation H-605FC al is gekoppeld met de W-DMX-zender, toont de indicator voor de signaalsterkte in het midden van het LCD-scherm de signaalsterkte. In dit geval is de Ovation H-605FC al klaar voor gebruik in de draadloze modus.

1. Ga vanuit het bedieningspaneel van de Ovation H-605FC naar **Wireless Setting**.
2. Kies **Reset**. (De aanduiding van de signaalsterkte op de Ovation H-605FC toont een ? voor de streepjes)
3. Druk vanuit de W-DMX-zender op **<RESET>** (de signaalaanduiding op de zender zal knipperen)
4. Nadat de zender de Ovation H-605FC heeft gevonden, zal de signaalaanduiding op de W-DMX zender onafgebroken branden.
5. De aanduiding voor de signaalsterkte in het midden van het LCD-scherm op de Ovation H-605FC toont de signaalsterkte.



De werking van W-DMX kan worden verstoord of onderbroken door vloeistofmassa's tussen de zender en de ontvanger, zoals water, sneeuw of mensen. Houd het gebied tussen de zender en de ontvanger voor de beste resultaten vrij van vloeistofmassa.

Virtueel kleurenwiel

De Ovation H-605FC bevat een functie, genaamd het virtuele kleurenwiel (Virtual Color Wheel, VCW). Deze functie is beschikbaar als een losstaande bedieningsmodus voor handmatig gebruik en ook als een bedieningskanaal in de geselecteerde DMX-persoonlijkheden van de producten. Voor eenvoudiger programmering zijn er meer dan 30 voorgemengde kleuren beschikbaar die speciaal door onze technici zijn samengesteld.

De DMX-waarden die worden gebruikt voor het mengen van deze kleuren staan hieronder vermeld. U kunt de algehele intensiteit van het Ovation-armatuur aanpassen om de kleuren waarmee u bekend bent beter na te bootsen. Op onze website www.chauvetprofessional.com is een tabel beschikbaar om onze voorgemengde kleuren te vergelijken met populaire gelkleuren. Deze grafiek is uitsluitend bedoeld voor vergelijkingsdoeleinden en vormt geen garantie dat onze voorgemengde kleuren overeenkomen met de vermelde gelkleuren.

Kleurenkaart

| DMX kanaalwaarde | Weergave op het display | Rode waarde | Groene waarde | Blauwe waarde | Gele waarde | Lime waarde |
|------------------|-----------------------------|-------------|---------------|---------------|-------------|-------------|
| 000 ⇔ 005 | -- | 000 | 000 | 000 | 000 | 000 |
| 006 ⇔ 013 | C3050 - Md Yellow | 233 | 163 | 020 | 123 | 255 |
| 014 ⇔ 021 | C3040 - Lt Yellow | 224 | 158 | 047 | 255 | 231 |
| 022 ⇔ 028 | C3240 - Amb Yellow | 180 | 060 | 000 | 245 | 255 |
| 029 ⇔ 035 | C2340 - VLt Amber | 245 | 107 | 081 | 255 | 213 |
| 036 ⇔ 043 | C2040 - Lt Amber | 230 | 130 | 062 | 255 | 155 |
| 044 ⇔ 051 | C2050 - Md Amber | 255 | 000 | 025 | 255 | 194 |
| 052 ⇔ 059 | C2060 - Dk Amber | 255 | 000 | 024 | 255 | 150 |
| 060 ⇔ 067 | C1050 - Lt Red | 255 | 037 | 027 | 030 | 038 |
| 068 ⇔ 075 | C1080 - Md Red | 255 | 004 | 017 | 000 | 000 |
| 076 ⇔ 083 | C1020 - NC Pink | 238 | 135 | 129 | 255 | 255 |
| 084 ⇔ 091 | C1030 - Md Pink | 255 | 131 | 120 | 255 | 195 |
| 092 ⇔ 099 | C1630 - Dk Pink | 250 | 165 | 123 | 255 | 210 |
| 100 ⇔ 107 | C1250 - Md Red Amber | 255 | 000 | 041 | 195 | 055 |
| 108 ⇔ 115 | C1060 - Dk Red Amber | 255 | 000 | 045 | 120 | 030 |
| 116 ⇔ 121 | C1650 - Magenta | 255 | 050 | 115 | 255 | 115 |
| 122 ⇔ 130 | C6170 - Dk Magenta | 255 | 035 | 117 | 000 | 000 |
| 131 ⇔ 138 | C6020 - Lt Lavender | 127 | 122 | 142 | 251 | 255 |
| 139 ⇔ 146 | C5030 - Lt Blue | 000 | 255 | 197 | 100 | 255 |
| 147 ⇔ 154 | C5020 - VLt Blue | 158 | 255 | 189 | 000 | 255 |
| 155 ⇔ 162 | C5430 - Lt Blue 2 | 000 | 255 | 180 | 000 | 243 |
| 163 ⇔ 170 | C5070 - Blue | 043 | 255 | 210 | 043 | 036 |
| 171 ⇔ 178 | C5050 - Md Blue | 000 | 255 | 218 | 000 | 181 |
| 179 ⇔ 186 | C5060 - Dk Blue | 000 | 210 | 206 | 000 | 118 |
| 187 ⇔ 194 | C5690 - Indigo | 065 | 000 | 210 | 040 | 055 |
| 195 ⇔ 202 | C5080 - VDK Blue | 000 | 203 | 230 | 000 | 040 |
| 203 ⇔ 210 | C5081 - VDK Blue 2 | 040 | 199 | 240 | 000 | 045 |
| 211 ⇔ 218 | C4370 - Yel Green | 027 | 255 | 028 | 016 | 104 |
| 219 ⇔ 226 | C4070 - Green | 049 | 255 | 055 | 120 | 090 |
| 227 ⇔ 234 | C4550 - Turquoise | 060 | 230 | 109 | 000 | 245 |
| 235 ⇔ 242 | C4560 - Aqua | 020 | 240 | 126 | 036 | 255 |
| 243 ⇔ 250 | C4570 - Blue Green | 000 | 255 | 079 | 030 | 053 |
| 251 ⇔ 255 | -- | 000 | 000 | 000 | 000 | 000 |



Let op: De kleuren hierboven zijn gesimuleerde waargaven van de kleureitvoer die zijn geproduceerd, in vergelijking met de andere gelijksoortige lichtproducten. Chauvet geeft geen garantie over de nauwkeurigheid van de kleuropbrengst.

Kleurtemperatuur-kaart

| DMX kanaalwaarde | Weergave op het display | Rode waarde | Groene waarde | Blauwe waarde | Gele waarde | Lime waarde |
|------------------|-------------------------|-------------|---------------|---------------|-------------|-------------|
| 000 ⇔ 005 | -- | 000 | 000 | 000 | 000 | 000 |
| 006 ⇔ 025 | 2800K | 255 | 199 | 107 | 253 | 255 |
| 026 ⇔ 050 | 3200K | 253 | 247 | 129 | 255 | 255 |
| 051 ⇔ 075 | 3500K | 234 | 255 | 141 | 253 | 255 |
| 076 ⇔ 100 | 4000K | 204 | 255 | 156 | 243 | 255 |
| 101 ⇔ 125 | 4500K | 181 | 248 | 166 | 224 | 255 |
| 126 ⇔ 150 | 5000K | 160 | 255 | 180 | 241 | 255 |
| 151 ⇔ 175 | 5600K | 138 | 255 | 191 | 241 | 255 |
| 176 ⇔ 200 | 6000K | 147 | 255 | 193 | 203 | 255 |
| 201 ⇔ 225 | 6500K | 142 | 251 | 197 | 187 | 255 |
| 226 ⇔ 255 | -- | 000 | 000 | 000 | 000 | 000 |



Let op: De bovenstaande kleurtemperaturen zijn gesimuleerde weergaven van de geproduceerde kleuropbrengst, in vergelijking met een wolfram-lamp bij de opgegeven kleurtemperatuur. Chauvet geeft geen garantie over de nauwkeurigheid van de kleuropbrengst.

Montage

Lees alvorens dit product te monteren alle [Veiligheids instructies](#). Controleer of de montageklem het gewicht van het product kan dragen. Ga voor onze Chauvet-serie montageklemmen naar <http://trusst.com/productcategory/truss-clamps/>

Montagediagram van het product



Beschrijving bedienings paneel

| Toets | Functie |
|---------|--|
| <MENU> | Sluit het huidige menu of functie af |
| <ENTER> | Activeert het huidige getoonde menu of plaatst de huidige geselecteerde waarde in de geselecteerde functie |
| <UP> | Navigeert omhoog via het menu of verhoogt de numerieke waarde wanneer in een functie |
| <DOWN> | Navigeert omlaag via het menu of verlaagt de numerieke waarde wanneer in een functie |

Menumap

| Hoofd-niveau | Programmeerniveaus | | Beschrijving |
|--------------|--------------------|--|---|
| DMX Address | Address | 001–510* | Selecteer het DMX-adres (hoogste kanaal beperkt tot de gekozen persoonlijkheid) |
| DMX Channel | 1CH | Virtual Color Wheel | 1-kanaal: RGBAL, VCW, kleurtemperatuur |
| | | Color Temperature | |
| | | Manual Color Mixer | |
| | | 3CH | 3-kanaal: dimmer, VCW, kleurtemperatuur |
| | | 5CH | 5-kanaal: RGBAL |
| | | 7CH | 7-kanaal: dimmer, RGBAL, stroboscoop |
| | | 10CH | 10-kanaal: 16-bit dimmer, RGBAL, stroboscoop, VCW, kleurtemperatuur |
| | | 12CH | 12-kanaal: 16-bit dimmer, 16-bit RGBAL, stroboscoop, VCW, kleurtemperatuur, programma's |
| | | 13CH | 13-kanaal: dimmer, RGBAL, stroboscoop |
| | 15CH | 15-kanaal: 16-bit dimmer, 16-bit RGBAL, stroboscoop, VCW, kleurtemperatuur | |
| | HSV | 3-kanaal: tint, verzadiging, waarde | |

| Hoofdniveau | Programmeerniveaus | | Beschrijving | |
|------------------------------|------------------------------|--|--|---|
| VCW (Virtual Color Wheel) | VCW (Virtual Color Wheel) | C3050 - Md Yellow | Dimmer 000-255 | Het virtuele kleurenwiel simuleert de opbrengst van elke gelkleur. Raadpleeg de sectie Kleurenkaart voor specifieke waarden |
| | | C3040 - Lt Yellow | | |
| C3240 - Amb Yellow | | | | |
| C2340 - VLt Amber | | | | |
| C2040 - Lt Amber | | | | |
| C2050 - Md Amber | | | | |
| C2060 - Dk Amber | | | | |
| C1050 - Lt Red | | | | |
| C1080 - Md Red | | | | |
| C1020 - NC Pink | | | | |
| C1030 - Md Pink | | | | |
| C1630 - Dk Pink | | | | |
| C1250 - Md Red Amber | | | | |
| C1060 - Dk Red Amber | | | | |
| C1650 - Magenta | | | | |
| C6170 - Dk Magenta | | | | |
| C6020 - Lt Lavender | | | | |
| C5030 - Lt Blue | | | | |
| C5020 - VLt Blue | | | | |
| C5430 - Lt Blue 2 | | | | |
| C5070 - Blue | | | | |
| C5050 - Md Blue | | | | |
| C5060 - Dk Blue | | | | |
| C5690 - Indigo | | | | |
| C5080 - VDk Blue | | | | |
| C5081 - VDk Blue 2 | | | | |
| C4370 - Yel Green | | | | |
| C4070 - Green | | | | |
| C4550 - Turquoise | | | | |
| C4560 - Aqua | | | | |
| C4570 - Blue Green | | | | |
| CCT (Color Temperature) | 2800K | Voorinstelde witte kleurtemperaturen. Emuleert een wolfram-lamp bij de opgegeven kleurtemperatuur. Raadpleeg de sectie Kleurtemperatuurkaart voor specifieke waarden | | |
| | 3200K | | | |
| | 3500K | | | |
| | 4000K | | | |
| | 4500K | | | |
| | 5000K | | | |
| | 5600K | | | |
| | 6000K | | | |
| 6500K | | | | |
| VCW (Virtual Color Wheel) | MCM (Manual Color Mixer) | Red | Combineert rood, groen, blauw, amber en lime om een aangepaste kleur te genereren (0–100%) | |
| | | Green | | |
| | | Blue | | |
| | | Amber | | |
| | | Lime | | |
| Auto Show | Auto 1 | 1-100 | Selecteert automatische programma's en automatische programmasnelheid | |
| | Auto 2 | | | |
| | Auto 3 | | | |
| | Auto 4 | | | |
| | Auto 5 | | | |
| Master/Slave | Master | Master-modus | | |
| | Slave | Slave-modus | | |

| Hoofdniveau | Programmeerniveaus | | Beschrijving | |
|------------------|--------------------|-----------|---|--|
| Dimmer Mode | Off | | Lineaire dimmer | |
| | Dimmer 1 | | Snelle dimmer-kromme | |
| | Dimmer 2 | | Gemiddelde dimmer-kromme | |
| | Dimmer 3 | | Langzame dimmer-kromme | |
| White Balance | Off | | Gebruikt standaard witte instelling | |
| | Manual | Red | 125–255 | Stelt de maximum waarde van de rode LED in |
| | | Green | | Stelt de maximum waarde van de groene LED in |
| | | Blue | | Stelt de maximum waarde van de blauwe LED in |
| | | Amber | | Stelt de maximum waarde van de amber LED in |
| | | Lime | | Stelt de maximum waarde van de lime LED in |
| LED Frequency | 600Hz | | Permet de sélectionner la fréquence de sortie MLI | |
| | 1200Hz | | | |
| | 2000Hz | | | |
| | 4000Hz | | | |
| | 6000Hz | | | |
| | 25KHz | | | |
| Back Light | On | | De backlight van de display is altijd aan | |
| | 10S | | Schakelt de backlight van de display uit na 10s van inactiviteit | |
| | 20S | | Schakelt de backlight van de display uit na 20s van inactiviteit | |
| | 30S | | Schakelt de backlight van de display uit na 30s van inactiviteit | |
| Wireless Setting | Receive On/Off | On | Schakelt de DMX-functie aan/uit | |
| | | Off | | |
| | Receive Reset | No | Schakelt het uit DMX-functie | |
| | | Yes | DMXsignaal aan/uit | |
| Emergency Mode | On | | Schakelt het uit wanneer het DMXsignaal is verbroken | |
| | Off | | Er wordt geen actie ondernemen wanneer het DMX-signaal is verbroken | |
| Information | Fixture Hours | ---- | Toont het totale aantal producturen | |
| | Version | V_._-V_._ | Toont de geïnstalleerde softwareversie | |
| | UID | ----- | Toont het apparaat-ID van het product | |
| Factory Setting | No | | Geeft de huidige UID # | |
| | Yes | | Herstellen naar de fabrieksstandaard | |

DMX-waarden

15 Ch

| Kanaal | Functie | Waarde | Percentage/instelling |
|--------|--------------|-----------|-----------------------|
| 1 | Dimmer | 000 ⇔ 255 | 0-100% |
| 2 | Fijne dimmer | 000 ⇔ 255 | 0-100% |
| 3 | Rood | 000 ⇔ 255 | 0-100% |
| 4 | Fijn rood | 000 ⇔ 255 | 0-100% |
| 5 | Groen | 000 ⇔ 255 | 0-100% |
| 6 | Fijn groen | 000 ⇔ 255 | 0-100% |
| 7 | Blauw | 000 ⇔ 255 | 0-100% |
| 8 | Fijn blauw | 000 ⇔ 255 | 0-100% |
| 9 | Amber | 000 ⇔ 255 | 0-100% |
| 10 | Fijn amber | 000 ⇔ 255 | 0-100% |
| 11 | Lime | 000 ⇔ 255 | 0-100% |

NL

| Kanaal | Functie | Waarde | Percentage/instelling |
|--------|----------------------|------------------------|--|
| 12 | Fijn Lime | 000 ⇔ 255 | 0-100% |
| 13 | Stroboscoop | 000 ⇔ 010 011 ⇔ 255 | Geen functie Stroboscoop, langzaam bis snel |
| 14 | Virtueel kleurenwiel | 000 ⇔ 255 | Raadpleeg de sectie Kleurenkaart voor specifieke waarden |
| 15 | Kleurtemperatuur | 000 ⇔ 255 | Raadpleeg de sectie Kleurtemperatuur-kaart voor specifieke waarden |

13 Ch

| Kanaal | Functie | Waarde | Percentage/instelling |
|--------|--------------|------------------------|--|
| 1 | Dimmer | 000 ⇔ 255 | 0-100% |
| 2 | Fijne dimmer | 000 ⇔ 255 | 0-100% |
| 3 | Rood | 000 ⇔ 255 | 0-100% |
| 4 | Fijn rood | 000 ⇔ 255 | 0-100% |
| 5 | Groen | 000 ⇔ 255 | 0-100% |
| 6 | Fijn groen | 000 ⇔ 255 | 0-100% |
| 7 | Blauw | 000 ⇔ 255 | 0-100% |
| 8 | Fijn blauw | 000 ⇔ 255 | 0-100% |
| 9 | Amber | 000 ⇔ 255 | 0-100% |
| 10 | Fijn amber | 000 ⇔ 255 | 0-100% |
| 11 | Lime | 000 ⇔ 255 | 0-100% |
| 12 | Fijn Lime | 000 ⇔ 255 | 0-100% |
| 13 | Stroboscoop | 000 ⇔ 010 011 ⇔ 255 | Geen functie Stroboscoop, langzaam bis snel |

12 Ch

| Kanaal | Functie | Waarde | Percentage/instelling |
|--------|----------------------|--|---|
| 1 | Dimmer | 000 ⇔ 255 | 0-100% |
| 2 | Rood | 000 ⇔ 255 | 0-100% |
| 3 | Groen | 000 ⇔ 255 | 0-100% |
| 4 | Blauw | 000 ⇔ 255 | 0-100% |
| 5 | Amber | 000 ⇔ 255 | 0-100% |
| 6 | Lime | 000 ⇔ 255 | 0-100% |
| 7 | Stroboscoop | 000 ⇔ 010 011 ⇔ 255 | Geen functie Stroboscoop, langzaam bis snel |
| 8 | Virtueel kleurenwiel | 000 ⇔ 255 | Raadpleeg de sectie Kleurenkaart voor specifieke waarden |
| 9 | Kleurtemperatuur | 000 ⇔ 255 | Raadpleeg de sectie Kleurtemperatuur-kaart voor specifieke waarden |
| 10 | Programmes Auto | 000 ⇔ 010 011 ⇔ 060 061 ⇔ 110 111 ⇔ 160 161 ⇔ 210 211 ⇔ 255 | Pas de fonction Auto 1 Auto 2 Auto 3 Auto 4 Auto 5 |
| 11 | Vitesse Auto | 000 ⇔ 255 | 0-100% |
| 12 | Vitesse du Gradateur | 000 ⇔ 051 052 ⇔ 101 102 ⇔ 152 153 ⇔ 203 204 ⇔ 255 | Vitesse du gradateur prédéfinie depuis le menu Gradateur linéaire Courbe de gradation non linéaire 1 (le plus rapide) Courbe de gradation non linéaire 2 Courbe de gradation non linéaire 3 (le moins rapide) |

10 Ch

| Kanaal | Functie | Waarde | Percentage/instelling |
|--------|--------------|-----------|-----------------------|
| 1 | Dimmer | 000 ⇔ 255 | 0-100% |
| 2 | Fijne dimmer | 000 ⇔ 255 | 0-100% |
| 3 | Rood | 000 ⇔ 255 | 0-100% |
| 4 | Groen | 000 ⇔ 255 | 0-100% |

| Kanaal | Functie | Waarde | Percentage/instelling |
|--------|----------------------|------------------------|--|
| 5 | Blauw | 000 ⇄ 255 | 0-100% |
| 6 | Amber | 000 ⇄ 255 | 0-100% |
| 7 | Lime | 000 ⇄ 255 | 0-100% |
| 8 | Stroboscoop | 000 ⇄ 010 011 ⇄ 255 | Geen functie Stroboscoop, langzaam bis snel |
| 9 | Virtueel kleurenwiel | 000 ⇄ 255 | Raadpleeg de sectie Kleurenkaart voor specifieke waarden |
| 10 | Kleurtemperatuur | 000 ⇄ 255 | Raadpleeg de sectie Kleurtemperatuur-kaart voor specifieke waarden |

7 Ch

| Kanaal | Functie | Waarde | Percentage/instelling |
|--------|-------------|------------------------|--|
| 1 | Dimmer | 000 ⇄ 255 | 0-100% |
| 2 | Rood | 000 ⇄ 255 | 0-100% |
| 3 | Groen | 000 ⇄ 255 | 0-100% |
| 4 | Blauw | 000 ⇄ 255 | 0-100% |
| 5 | Amber | 000 ⇄ 255 | 0-100% |
| 6 | Lime | 000 ⇄ 255 | 0-100% |
| 7 | Stroboscoop | 000 ⇄ 010 011 ⇄ 255 | Geen functie Stroboscoop, langzaam bis snel |

5 Ch

| Kanaal | Functie | Waarde | Percentage/instelling |
|--------|---------|-----------|-----------------------|
| 1 | Rood | 000 ⇄ 255 | 0-100% |
| 2 | Groen | 000 ⇄ 255 | 0-100% |
| 3 | Blauw | 000 ⇄ 255 | 0-100% |
| 4 | Amber | 000 ⇄ 255 | 0-100% |
| 5 | Lime | 000 ⇄ 255 | 0-100% |

3 Ch

| Kanaal | Functie | Waarde | Percentage/instelling |
|--------|----------------------|-----------|--|
| 1 | Dimmer | 000 ⇄ 255 | 0-100% |
| 2 | Virtueel kleurenwiel | 000 ⇄ 255 | Raadpleeg de sectie Kleurenkaart voor specifieke waarden |
| 3 | Kleurtemperatuur | 000 ⇄ 255 | Raadpleeg de sectie Kleurtemperatuur-kaart voor specifieke waarden |

HSV

| Kanaal | Functie | Waarde | Percentage/instelling |
|--------|------------|-----------|-----------------------|
| 1 | Hue | 000 ⇄ 255 | 0-100% |
| 2 | Saturation | 000 ⇄ 255 | 0-100% |
| 3 | Value | 000 ⇄ 255 | 0-100% |

1 Ch

| Kanaal | Functie | Waarde | Percentage/instelling |
|--------|----------------------|-----------|-----------------------|
| 1 | Instellen in menumap | 000 ⇄ 255 | 0-100% |

Contact Us

| General Information | Technical Support |
|--|--|
| Chauvet World Headquarters | |
| Address: 5200 NW 108th Ave. Sunrise, FL 33351 Voice: (954) 577-4455 Fax: (954) 929-5560 Toll Free: (800) 762-1084 | Voice: (844) 393-7575 Fax: (954) 756-8015 Email: chauvetcs@chauvetlighting.com Website: www.chauvetprofessional.com |
| Chauvet Europe Ltd. | |
| Address: Unit 1C Brookhill Road Industrial Estate Pinxton, Nottingham, UK NG16 6NT Voice: +44 (0) 1773 511115 Fax: +44 (0) 1773 511110 | Email: UKtech@chauvetlighting.eu Website: www.chauvetprofessional.eu |
| Chauvet Europe BVBA | |
| Address: Stokstraat 18 9770 Kruishoutem Belgium Voice: +32 9 388 93 97 | Email: BNLtech@chauvetlighting.eu Website: www.chauvetprofessional.eu |
| Chauvet France | |
| Address: 3, Rue Ampère 91380 Chilly-Mazarin France Voice: +33 1 78 85 33 59 | Email: FRtech@chauvetlighting.fr Website: www.chauvetprofessional.eu |
| Chauvet Germany | |
| Address: Bruno-Bürgel-Str. 11 28759 Bremen Germany Voice: +49 421 62 60 20 | Email: DEtech@chauvetlighting.de Website: www.chauvetprofessional.eu |
| Chauvet Mexico | |
| Address: Av. de las Partidas 34 - 3B (Entrance by Calle 2) Zona Industrial Lerma Lerma, Edo. de México, CP 52000 Voice: +52 (728) 690-2010 | Email: servicio@chauvet.com.mx Website: www.chauvetprofessional.mx |

Visit the applicable website above to verify our contact information and instructions to request support. Outside the U.S., United Kingdom, Ireland, Mexico, France, Germany, or Benelux, contact the dealer of record.



UL 1573
CSA C22.2 No. 166
E113093



RoHS

