

# Slim **PAR PRO QZ12**

**USB** 

## User Manual

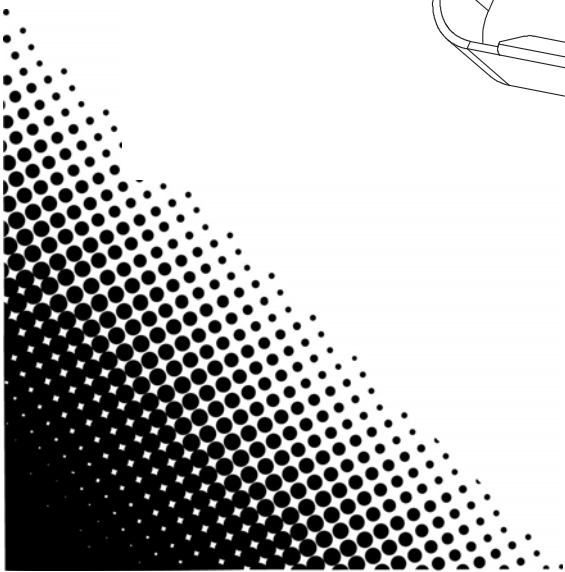
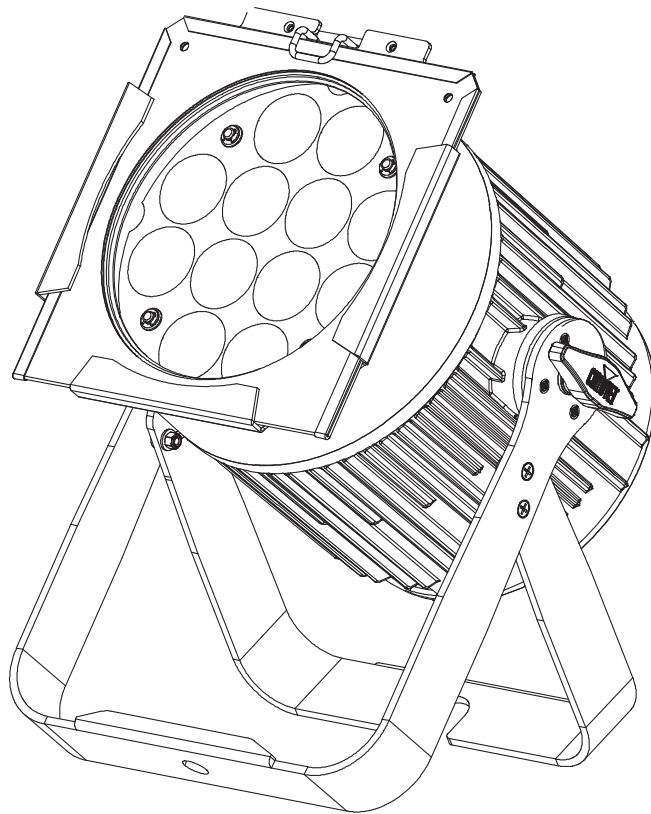


TABLE OF CONTENTS

<b>1. Before You Begin</b> .....	1
What Is Included .....	1
Unpacking Instructions .....	1
Claims .....	1
Text Conventions .....	1
Symbols .....	1
Disclaimer .....	1
Product at a Glance .....	2
Safety Notes.....	2
<b>2. Introduction</b> .....	3
Product Overview.....	3
Product Dimensions.....	4
<b>3. Setup</b> .....	5
AC Power.....	5
Fuse Replacement.....	5
Power Linking.....	5
Mounting .....	6
Orientation.....	6
Rigging .....	6
<b>4. Operation</b> .....	7
Control Panel Operation.....	7
Menu Map .....	7
DMX Linking.....	8
Configuration (DMX) .....	8
D-Fi USB Connectivity .....	8
Configuration (D-Fi USB) .....	8
DMX Personality and Starting Address.....	9
DMX Values .....	10
11-CH.....	10
6-CH.....	10
5-CH.....	11
Configuration (Standalone) .....	11
Automatic Programs.....	11
Auto-Program Speed .....	11
Sound-Active Mode.....	11
Sound Sensitivity.....	11
Preset Color Mode .....	11
ZOOM RANGE.....	11
Custom Color Mixing.....	12
Dimmer Speed Mode .....	12
Product Temperature .....	12
Master/Slave Mode (Wired) .....	12
Master/Slave Mode (D-Fi USB).....	13
<b>5. Maintenance</b> .....	14
Product Maintenance .....	14
<b>6. Technical Specifications</b> .....	15
<b>Returns</b> .....	16
<b>Contact Us</b> .....	17

# 1. BEFORE YOU BEGIN

## What Is Included

- SlimPAR Pro QZ12 USB
- Power Cord
- Gel Frame
- Hanging Bracket
- Warranty Card
- Quick Reference Guide

## Unpacking Instructions

Carefully unpack the product immediately and check the container to make sure all the parts are in the package and are in good condition.

### Claims





If the box or the contents (the product and included accessories) appear damaged from shipping, or show signs of mishandling, notify the carrier immediately, not Chauvet. Failure to report damage to the carrier immediately may invalidate your claim. In addition, keep the box and contents for inspection.

For other issues, such as missing components or parts, damage not related to shipping, or concealed damage, file a claim with Chauvet within 7 days of delivery.

## Text Conventions

CONVENTION	MEANING
<b>1–512</b>	A range of values
<b>50/60</b>	A set of values of which only one can be chosen
<b>Settings</b>	A menu option not to be modified
<b>Menu Settings</b>	A sequence of menu options to be followed
<b>&lt;ENTER&gt;</b>	A key to be pressed on the product's control panel
<b>ON</b>	A value to be entered or selected

## Symbols

SYMBOL	MEANING
	Electrical warning. Not following these instructions may cause electrical damage to the product, accessories, or the user.
	Critical installation, configuration, or operation information. Not following these instructions may make the product not work, cause damage to the product, or cause harm to the operator.
	Important installation or configuration information. The product may not function correctly if this information is not used.
	Useful information.

## Disclaimer

Chauvet believes that the information contained in this manual is accurate in all respects. However, Chauvet assumes no responsibility and specifically disclaims any and all liability to any party for any loss, damage or disruption caused by any errors or omissions in this document, whether such errors or omissions result from negligence, accident or any other cause. Chauvet reserves the right to revise the content of this document without any obligation to notify any person or company of such revision, however, Chauvet has no obligation to make, and does not commit to make, any such revisions. Download the latest version from [www.chauvetdj.com](http://www.chauvetdj.com).

The works of authorship contained in this manual, including, but not limited to, all design, text and images are owned by Chauvet.

© Copyright 2018 Chauvet & Sons, LLC. All rights reserved.

Electronically published by Chauvet in the United States of America.

CHAUVET, the Chauvet logo, D-Fi USB, and SlimPAR Pro QZ12 USB are registered trademarks or trademarks of Chauvet & Sons LLC (d/b/a Chauvet and Chauvet Lighting) in the United States and other countries. Other company and product names and logos referred to herein may be trademarks of their respective companies.

### Product at a Glance

Use on Dimmer		Auto Programs	
Outdoor Use		Auto-ranging Power Supply	
Sound-Active		Replaceable Fuse	
DMX		User-Serviceable	
Master/Slave			

### Safety Notes



- ONLY connect this product to a grounded and protected circuit.
- Always disconnect from power before cleaning or replacing the fuse.
- Make sure the power cord is not crimped or damaged.
- Never disconnect this product from power by pulling on the cord.
- DO NOT touch this product when it is operating because it may be hot.
- When mounting this product overhead, use a safety cable.
- DO NOT allow flammable materials close to the product while operating.
- The voltage of the outlet to which you are connecting this product must be within the range stated on the decal or rear panel of the product.
- This product is for indoor use only! (IP20) To prevent risk of fire or shock, do not expose this product to rain or moisture.
- Always mount this product in a location with adequate ventilation, at least 20 in (50 cm) from adjacent surfaces.



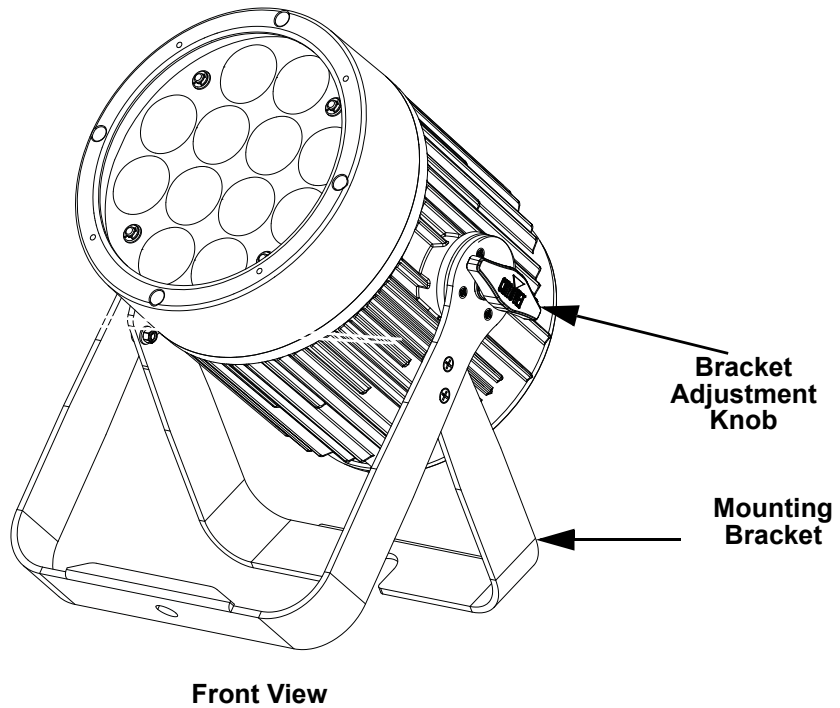
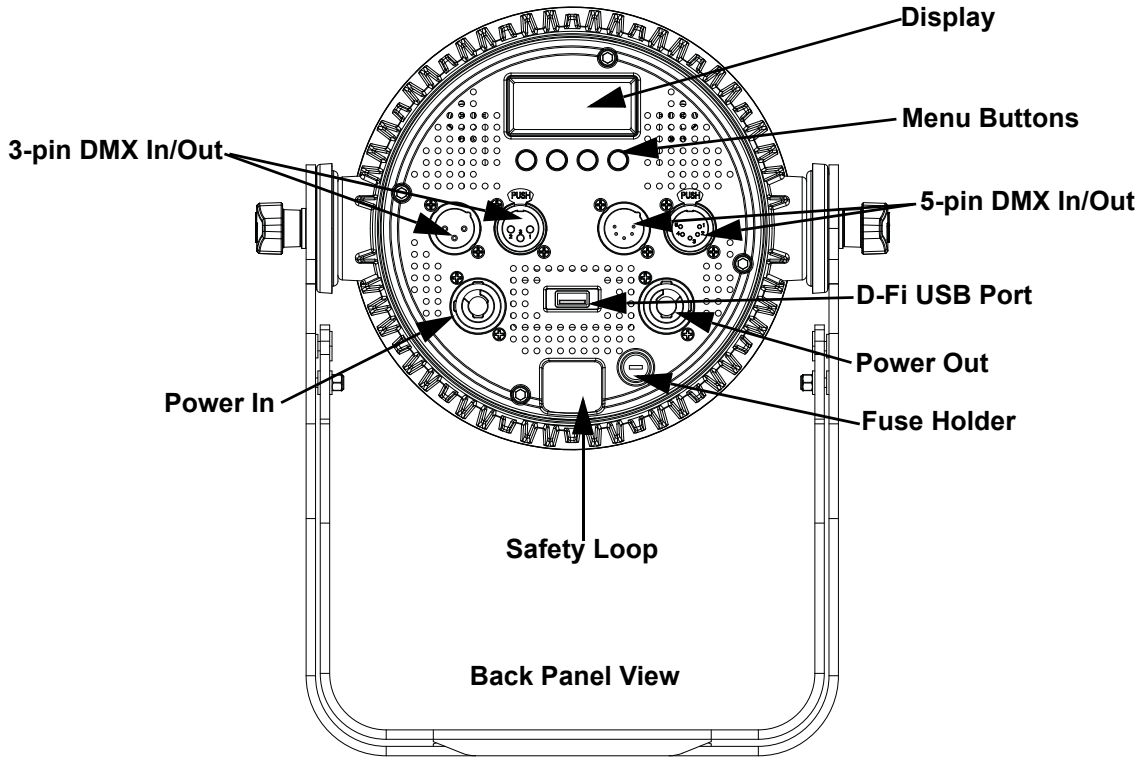
- Be sure that no ventilation slots on the unit's housing are blocked.
- Never connect this product to a dimmer or rheostat.
- Replace the fuse with one of the same type and rating.
- ONLY use the carry handle or hanging/mounting bracket to carry this product.
- The maximum ambient temperature is 104 °F (40 °C). Do not operate this product at higher temperatures.
- In the event of a serious operating problem, stop using immediately.
- DO NOT open this product. It contains no user-serviceable parts.
- To eliminate unnecessary wear and improve its lifespan, during periods of non-use completely disconnect the product from power via the breaker or by unplugging it.



Keep this User Manual for future use. If you sell the product to someone else, be sure that they also receive this document.

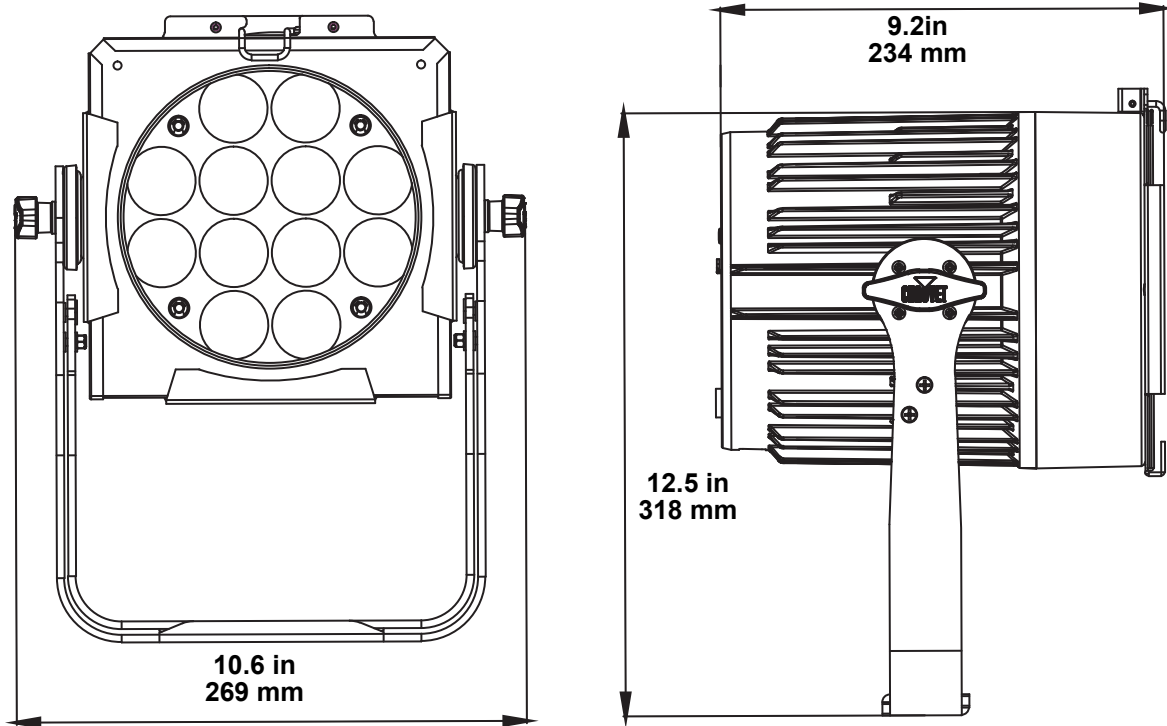
## 2. INTRODUCTION

### Product Overview



Electrical warning. Not following these instructions may cause electrical damage to the product, accessories, or the user.

## Product Dimensions



### 3. SETUP

#### AC Power

The SlimPAR Pro QZ12 USB has an auto-ranging power supply and it can work with an input voltage range of 100 to 240 VAC, 50/60 Hz. To determine the product's power requirements (circuit breaker, power outlet, and wiring), use the current value listed on the label affixed to the product's back panel, or refer to the product's specifications chart. The listed current rating indicates the product's average current draw under normal conditions.



- **Always connect the product to a protected circuit (a circuit breaker or fuse). Make sure the product has an appropriate electrical ground to avoid the risk of electrocution or fire.**
- **To eliminate unnecessary wear and improve its lifespan, during periods of non-use completely disconnect the product from power via breaker or by unplugging it.**



**Never connect the product to a rheostat (variable resistor) or dimmer circuit, even if the rheostat or dimmer channel serves only as a 0 to 100% switch.**

#### Fuse Replacement

1. Wedge the tip of a flat-head screwdriver into the slot of the fuse holder.
2. Pry the fuse holder out of the housing.
3. Remove the blown fuse from the holder and replace with a fuse of the exact same type and rating.
4. Insert the fuse holder back in place and reconnect power.

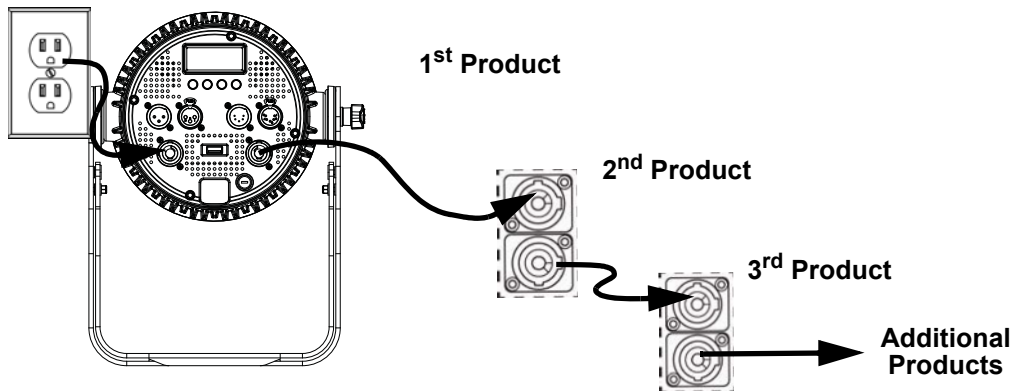


**Disconnect the product from the power outlet before replacing the fuse.**

#### Power Linking

The product provides power linking via the Edison outlet located in the back of the product. Please see the diagram below for further explanation.

#### Power Linking Diagram



**You can power link up to 9 SlimPAR Pro QZ12 USB products on 120 VAC or up to 17 SlimPAR Pro QZ12 USB products on 230 VAC.**



**The power linking diagram corresponds to the North American version of the product ONLY! If using the product in other markets, you must consult with the local Chauvet distributor as power linking connectors and requirements may differ in your country or region.**

## Mounting

Before mounting the product, read and follow the safety recommendations indicated in the [Safety Notes](#).

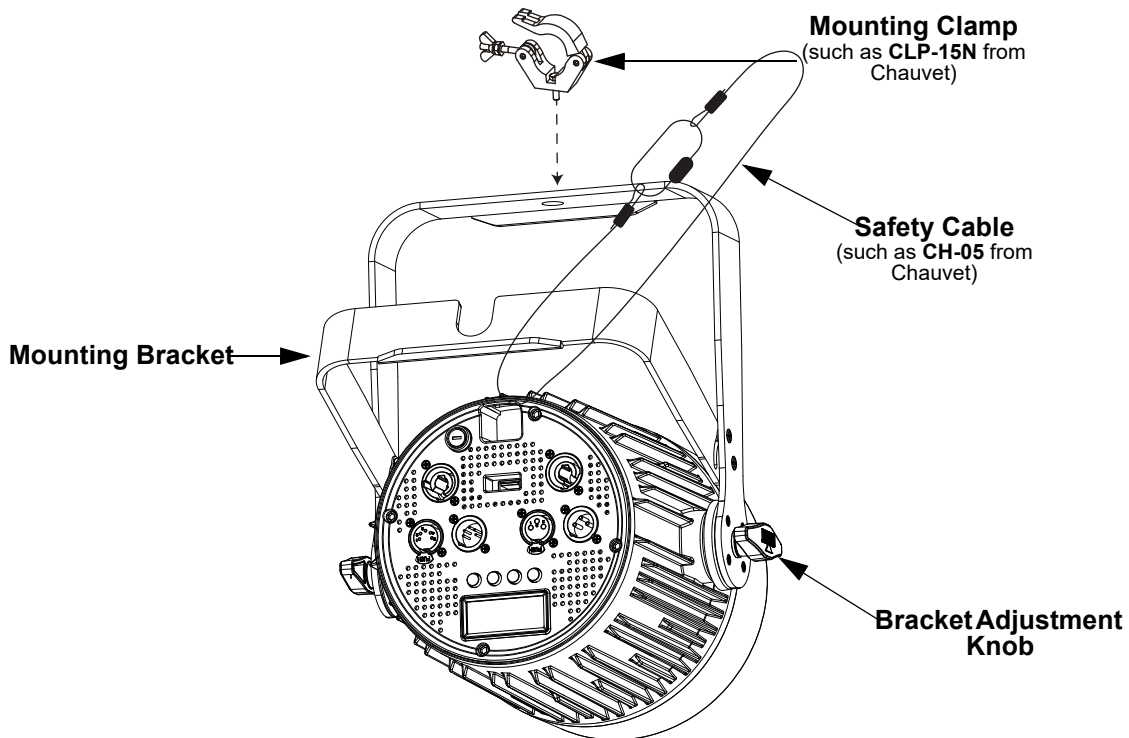
## Orientation

The SlimPAR Pro QZ12 USB may be mounted in any position; however, make sure adequate ventilation is provided around the product.

## Rigging

- Before deciding on a location, always make sure there is easy access to the product for maintenance and programming purposes.
- Make sure that the structure or surface onto which you are mounting the product can support the product's weight. (see the [Technical Specifications](#))
- When mounting the product overhead, always use a safety cable. Mount the product securely to a rigging point, whether an elevated platform or a truss.
- When rigging the product onto a truss, use a mounting clamp of appropriate weight capacity.
- When power linking multiple products, mount the products close enough for power linking cables to reach.
- The bracket adjustment knobs allow for directional adjustment when aiming the product to the desired angle. Only loosen or tighten the bracket knobs manually. Using tools could damage the knobs.

## Mounting Diagram





## 4. OPERATION

### Control Panel Operation

To access the control panel functions, use the four buttons located underneath the display. Please refer to the [Product Overview](#) to see the button locations on the control panel.

BUTTON	FUNCTION
<MENU>	Exits from the current menu or function
<UP>	Navigates upwards through the menu list and increases the numeric value when in a function
<DOWN>	Navigates downwards through the menu list and decreases the numeric value when in a function
<ENTER>	Enables the currently displayed menu or sets the currently selected value into the selected function

### Menu Map

MAIN LEVEL	PROGRAMMING LEVELS	DESCRIPTION
5-CH	d 1--512	5-channel DMX mode
6-CH	d 1--512	6-channel DMX mode
11CH	d --512	11-channel DMX mode
C--	C1--15	Static colors
ZOOM	Z 0--255	Zooms in and out
P-- (automatic)	P1	5-color program (snap)
	P2	5-color program (fading)
	P3	11-color program (snap)
	P4	11-color program (fading)
S--	S--1-100	Program speed for P1-P4
Snd (sound-active)	Snd1	4-color program (sound-active)
	Snd2	11-color program (sound-active)
Sens	u--0-100	Sound sensitivity
U--	r000-255 (red)	Custom static colors. Combine amber, red, green, and blue
	g000-255 (green)	
	b000-255 (blue)	
	A000-255 (amber)	
DIM	OFF	Dimmer speed settings
	dIM1	
	dIM2	
	dIM3	
TEMP	XX	Displays the current temperature of the product

## DMX Linking

The SlimPAR Pro QZ12 USB works with a DMX controller. Information about DMX is in the CHAUVET DMX Primer, which is available from the Chauvet website [http://www.chauvetlighting.com/downloads/DMX\\_Primer\\_rev05\\_WO.pdf](http://www.chauvetlighting.com/downloads/DMX_Primer_rev05_WO.pdf).

### Configuration (DMX)

Set the product in DMX mode to control with a DMX controller

1. Connect the product to a suitable power outlet.
2. Connect a DMX cable from the DMX output of the DMX controller to the DMX input socket on the product.

### D-Fi USB Connectivity

The SlimPAR Pro QZ12 USB is able to become a D-Fi wireless receiver/transmitter with the use of the D-Fi USB from Chauvet DJ. Simply set the product's DMX Personality and DMX Address, set the DIP switch D-Fi receiving/transmitting channel, then plug it into the D-Fi USB port. Press **<MENU>** repeatedly until 5Ch, 6Ch, or 11Ch shows on the display.

1. Press **<ENTER>**.
2. Use **<UP>** or **<DOWN>** to select the starting address, from **d 1–512**.
3. Press **<ENTER>**..



**WARNING! DO NOT plug anything other than a D-Fi USB into the USB port. Doing so may cause damage to the product.**



Once plugged in, the D-Fi USB will take over the product. Wired DMX and manual display control / menu buttons will be unavailable until you unplug the D-Fi USB. The priority levels are:

- |              |  |
|--------------|--|
| 1. D-Fi USB  | 3. IRC-6 Remote Control                |
| 2. Wired DMX | 4. Manual Digital Display/Menu Buttons |

### Configuration (D-Fi USB)

1. Set the DMX Personality and DMX address on the SlimPAR Pro QZ12 USB .
2. Use the Chart provided to set **BOTH**:
  - the Channel, and then
  - The Receiving or Transmitting option

**NOTE: DIP Switch 5 is for Transmitting OR Receiving, please choose carefully.**

**D-Fi USB DIP Switch Channels**



**DMX Personality and Starting Address**

When selecting a starting DMX address, always consider the number of DMX channels the selected DMX mode uses. If you choose a starting address that is too high, you could restrict the access to some of the product’s channels. The SlimPAR Pro QZ12 USB uses up to 9 DMX channels in an 9-CH DMX mode, which defines the highest configurable address to **502**.

If you are not familiar with the DMX protocol, download the DMX Primer from [www.chauvetlighting.com](http://www.chauvetlighting.com)

To select the starting address, do the following:

1. Press **<MENU>** repeatedly until **5-CH**, **6-CH**, or **11-CH** shows on display.
2. Press **<ENTER>** and **d--1-d512** will show on the display.
3. Use **<UP>** or **<DOWN>** to select the starting address.
4. Press **<ENTER>**.

**DMX Values  
11-CH**

CHANNE L	FUNCTION	VALUE	PERCENT/SETTING
1	Dimmer	000 ⇔ 255	0-100%
2	Red	000 ⇔ 255	0-100%
3	Green	000 ⇔ 255	0-100%
4	Blue	000 ⇔ 255	0-100%
5	Amber	000 ⇔ 255	0-100%
6	Color Macros	000 ⇔ 015	No Function
		016 ⇔ 255	Color Macros
7	Strobe	000 ⇔ 010	No Function
		016 ⇔ 255	Strobe, Slow to Fast
8	Auto Program	000 ⇔ 031	No function
		032 ⇔ 063	Auto program 1
		064 ⇔ 095	Auto program 2
		096 ⇔ 127	Auto program 3
		128 ⇔ 159	Auto program 4
		160 ⇔ 191	Auto Program 5
		192 ⇔ 223	Auto Program 6
		224 ⇔ 255	Sound program
9	Program Speed	000 ⇔ 255	Slow to fast speed
	Sound Sensitivity	000 ⇔ 010	No function
		011 ⇔ 255	Low to high sensitivity
10	Dimmer Speed	000 ⇔ 051	Dimmer Speed set from display
		052 ⇔ 101	Dimmer speed mode off
		102 ⇔ 152	Dimmer speed mode 1 fast
		153 ⇔ 203	Dimmer speed mode 2 medium
		204 ⇔ 255	Dimmer speed mode 3 slow
11	Zoom	000 ⇔ 255	0-100%

**6-CH**

CHANNEL	FUNCTION	VALUE	PERCENT/SETTING
1	Dimmer	000 ⇔ 255	0-100%
2	Red	000 ⇔ 255	0-100%
3	Green	000 ⇔ 255	0-100%
4	Blue	000 ⇔ 255	0-100%
5	Amber	000 ⇔ 255	0-100%
6	Zoom	000 ⇔ 255	0-100%

## 5-CH

CHANNEL	FUNCTION	VALUE	PERCENT/SETTING
1	Red	000 ⇄ 255	0-100%
2	Green	000 ⇄ 255	0-100%
3	Blue	000 ⇄ 255	0-100%
4	Amber	000 ⇄ 255	0-100%
5	Zoom	000 ⇄ 255	0-100%

### Configuration (Standalone)

Set the product in one of the standalone modes to control without a DMX controller. Connect the product to a suitable power outlet.



**Never connect a product that is operating in any standalone mode to a DMX string connected to a DMX controller. Products in standalone mode may transmit DMX signals that could interfere with the DMX signals from the controller.**

### Automatic Programs

To run the SlimPAR Pro QZ12 USB in automatic mode, follow the instructions below:

1. Press **<MENU>** repeatedly until **P--** shows on the display.
2. Press **<ENTER>**.
3. Use **<UP>** or **<DOWN>** to select an automatic program, from **P (1–4)**.
4. Press **<ENTER>**.

### Auto-Program Speed

To change the auto-program speed on the SlimPAR Pro QZ12 USB, do the following:

1. Press **<MENU>** repeatedly until **S--** shows on the display.
2. Use **<UP>** or **<DOWN>** to increase or decrease the program speed, from **(S 1–100)**.
3. Press **<ENTER>**. The product will return to the last selected mode.

### Sound-Active Mode

To run the SlimPAR Pro QZ12 USB in sound-active mode, follow the instructions below:

1. Press **<MENU>** repeatedly until **Snd** shows on the display.
2. Press **<ENTER>**.
3. Use **<UP>** and **<DOWN>** to select a sound active program (**Snd1 or Snd2**)
4. Press **<ENTER>**.



**The product will only respond to low frequencies of music (bass and drums).**

### Sound Sensitivity

To set the sound sensitivity on the SlimPAR Pro QZ12 USB, do the following:

1. Press **<MENU>** repeatedly until **SenS** shows on the display.
2. Use **<UP>** or **<DOWN>** to increase or decrease the sound sensitivity, from **(u 0–100)**.
3. Press **<ENTER>**.

### Preset Color Mode

To run the SlimPAR Pro QZ12 USB on a static color, follow the instructions below:

1. Press **<MENU>** repeatedly until **C--** shows on the display.
2. Press **<ENTER>**.
3. Use **<UP>** or **<DOWN>** to select a static color, from **(C 1–15)**.
4. Press **<ENTER>**.

### ZOOM RANGE

To set the zoom range, follow these instructions:

1. Go to the **<ZOOM>** main level.
2. Select **<ENTER>**.
3. Press **<UP>** or **<DOWN>** to select the desired zoom range.
4. Press **<ENTER>**.

## Custom Color Mixing

To custom mix a static color, do the following:

1. Press **<MENU>** repeatedly until **U--** shows on the display.
2. Press **<ENTER>** and one of the following will show on display.
  - **r\_\_\_** (red)
  - **g\_\_\_** (green)
  - **b\_\_\_** (blue)
  - **A\_\_\_** (amber)
3. Press **<ENTER>** to cycle through the color settings.
4. When the desired color shows on the display, use **<UP>** or **<DOWN>** to increase or decrease the color value.
5. Repeat steps 3 and 4 until the product outputs as desired.

## Dimmer Speed Mode

To set the dimmer speed mode of the SlimPAR Pro QZ12 USB , follow the instructions below:

1. Press **<MENU>** repeatedly until **dim** shows on the display.
2. Press **<ENTER>**.
3. Use **<UP>** or **<DOWN>** to select:
  - **dim1** (fast)
  - **dim2** (medium)
  - **dim3** (slow)
  - or **OFF**
4. Press **<ENTER>**.

## Product Temperature

This feature displays the product's current temperature.

1. Go to the **<TEMP>** main level.
2. Press **<ENTER>** to view the product's current temperature.

## Master/Slave Mode (Wired)

The Master/Slave mode allows a single SlimPAR Pro QZ12 USB product (the "master") to control the actions of one or more SlimPAR Pro QZ12 USB products (the "slaves") without the need of a DMX controller. The master product will be set to operate in Stand-Alone, while the slave products will be set to operate in Slave mode. Once set and connected, the slave products will operate in unison with the master product.

Configure the products as indicated below.

### Slave products:

1. Press **<MENU>** repeatedly until **5-CH**, **6-CH**, or **11-CH** shows on the display.
2. Press **<ENTER>** to accept.
3. Set the DMX address to **d 1**.
4. Connect the DMX input of the first slave product to the DMX output of the master product.
5. Connect the DMX input of the subsequent slave products to the DMX output of the previous slave product.
6. Finish setting and connecting all the slave products.

### Master product:

1. Set the master product to operate in Stand-Alone mode.
2. Make the master product the first product in the DMX daisy chain.
  - **Configure all the slave products before connecting the master to the daisy chain.**
  - **Never connect a DMX controller to a DMX string configured for Master/Slave operation because the controller may interfere with the signals from the master.**
  - **Do not connect more than 31 slaves to the master.**



## Master/Slave Mode (D-Fi USB)

The D-Fi USB allows a single SlimPAR Pro QZ12 USB product (the “master”) to control the actions of one or more SlimPAR Pro QZ12 USB products (the “slaves”) without the need of a DMX controller or DMX cables. The master (transmitter) product will be set to operate in Stand-Alone mode, while the slave (receiver) products will be set to operate in Slave mode. Once set and connected, the slave products will operate in unison with the master product.

Configure the products as indicated below.

### Slave products:

1. Press **<MENU>** repeatedly until **5-CH,6-CH**, or **11-CH** shows on the display.
2. Press **<ENTER>** to accept.
3. Set the DMX address to **d 1**.
4. Set the D-Fi USB to receive on a specific channel, 1–16.
5. Plug in the D-Fi USB.
6. Finish setting and connecting all the slave products.

### Master product:

1. Press **<MENU>** repeatedly until the DMX personality the slaves are set to shows on the display.
2. Press **<ENTER>** to accept.
3. Set the DMX address to **d -1**.
4. Set the master product to operate in either Stand-Alone mode or with the IRC-6.
5. Set the D-Fi USB to transmit on the D-Fi channel the slaves are receiving on.
6. Plug in the D-Fi USB.



- **All products must be set to the same DMX personality, DMX address, and D-Fi channel.**
- **Configure all the slave products before configuring the master to transmit.**
- **Never connect a DMX controller to a D-Fi channel configured for Master/Slave operation because the controller may interfere with the signals from the master.**

## 5. MAINTENANCE

### Product Maintenance

Dust build-up reduces light output performance and can cause overheating. This can lead to reduction of the light source's life and/or mechanical wear. To maintain optimum performance and minimize wear, clean your lighting products at least twice a month. However, be aware that usage and environmental conditions could be contributing factors to increase the cleaning frequency.

To clean the product, follow the instructions below:

1. Unplug the product from power.
2. Wait until the product is at room temperature.
3. Use a vacuum (or dry compressed air) and a soft brush to remove dust collected on the external surface/vents.
4. Clean all transparent surfaces with a mild soap solution, ammonia-free glass cleaner, or isopropyl alcohol.
5. Apply the solution directly to a soft, lint free cotton cloth or a lens cleaning tissue.
6. Softly drag any dirt or grime to the outside of the transparent surface.
7. Gently polish the transparent surfaces until they are free of haze and lint.



**Always dry the transparent surfaces carefully after cleaning them.**



## 6. TECHNICAL SPECIFICATIONS

### Dimensions and Weight

LENGTH	WIDTH	HEIGHT	WEIGHT
9.2 in (234 mm)	10.6 in (269 mm)	12.5 in (318 mm)	10.2 lb (4.6 kg)

**Note:** Dimensions in inches rounded to the nearest decimal digit.

### Power

POWER SUPPLY TYPE	RANGE	VOLTAGE SELECTION
Switching (internal)	100 to 240 VAC, 50/60 Hz	Auto-ranging

PARAMETER	120 V, 60 HZ	230 V, 50 HZ
Consumption	100 W	112 W
Operating Current	0.8 A	0.4 A
Power linking current (products)	8 A (9 products)	8 A (17 products)
Fuse	T 2 A, 250 V	T 2 A, 250 V

POWER I/O	U.S./WORLDWIDE	UK/EUROPE
Power input connector	IEC	IEC
Power output connector	Edison	IEC
Power Cord plug	Edison (U.S.)	Local Plug

### Light Source

TYPE	COLOR	QUANTITY	POWER	CURRENT	LIFESPAN
LED	RGBA	12	10 W	2.7 A	50,000 hours

### Photometrics

STROBE RATE	BEAM ANGLE	FIELD ANGLE
0 to 29 Hz	10°	50°

### Thermal

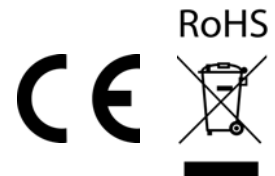
MAXIMUM EXTERNAL TEMPERATURE	COOLING SYSTEM
104 °F (40 °C)	Convection

### DMX

I/O CONNECTOR	CHANNEL RANGE
3-pin or 5-pin XLR	5, 6, or 11

### Ordering

PRODUCT NAME	ITEM CODE	UPC NUMBER
SlimPAR Pro QZ12 USB	03031440	781462217884



## RETURNS

In case you need to get support or return a product:

- If you are located in the U.S., contact Chauvet World Headquarters.
- If you are located in the UK or Ireland, contact Chauvet Europe Ltd.
- If you are located in Benelux, contact Chauvet Europe BVBA.
- If you are located in France, contact Chauvet France.
- If you are located in Germany, contact Chauvet Germany.
- If you are located in Mexico, contact Chauvet Mexico.
- If you are located in any other country, DO NOT contact Chauvet. Instead, contact your local distributor. See [www.chauvetdj.com](http://www.chauvetdj.com) for distributors outside the U.S., UK, Ireland, Benelux, France, Germany, or Mexico.



**If you are located outside the U.S., UK, Ireland, Benelux, France, Germany, or Mexico, contact your distributor of record and follow their instructions on how to return Chauvet products to them. Visit our website [www.chauvetdj.com](http://www.chauvetdj.com) for contact details.**

Call the corresponding Chauvet Technical Support office and request a Return Merchandise Authorization (RMA) number before shipping the product. Be prepared to provide the model number, serial number, and a brief description of the cause for the return.

To submit a service request online, go to [www.chauvetdj.com/service-request](http://www.chauvetdj.com/service-request).

Send the merchandise prepaid, in its original box, and with its original packing and accessories. Chauvet will not issue call tags.

Clearly label the package with the RMA number. Chauvet will refuse any product returned without an RMA number.



**Write the RMA number on a properly affixed label. DO NOT write the RMA number directly on the box.**

Before sending the product, clearly write the following information on a piece of paper and place it inside the box:

- Your name
- Your address
- Your phone number
- RMA number
- A brief description of the problem

Be sure to pack the product properly. Any shipping damage resulting from inadequate packaging will be your responsibility. FedEx packing or double-boxing are recommended.



**Chauvet reserves the right to use its own discretion to repair or replace returned product(s).**

## CONTACT US

General Information	Technical Support
<b>Chauvet World Headquarters</b>	
Address: 5200 NW 108th Ave. Sunrise, FL 33351 Voice: (954) 577-4455 Fax: (954) 929-5560 Toll Free: (800) 762-1084	Voice: (844) 393-7575 Fax: (954) 756-8015 Email: <a href="mailto:chauvetcs@chauvetlighting.com">chauvetcs@chauvetlighting.com</a> Website: <a href="http://www.chauvetdj.com">www.chauvetdj.com</a>
<b>Chauvet Europe Ltd</b>	
Address: Unit 1C Brookhill Road Industrial Estate Pinxton, Nottingham, UK NG16 6NT Voice: +44 (0) 1773 511115 Fax: +44 (0) 1773 511110	Email: <a href="mailto:UKtech@chauvetlighting.eu">UKtech@chauvetlighting.eu</a> Website: <a href="http://www.chauvetdj.eu">www.chauvetdj.eu</a>
<b>Chauvet Europe BVBA</b>	
Address: Stokstraat 18 9770 Kruishoutem Belgium Voice: +32 9 388 93 97	Email: <a href="mailto:BNLtech@chauvetlighting.eu">BNLtech@chauvetlighting.eu</a> Website: <a href="http://www.chauvetdj.eu">www.chauvetdj.eu</a>
<b>Chauvet France</b>	
Address: 3, Rue Ampère 91380 Chilly-Mazarin France Voice: +33 1 78 85 33 59	Email: <a href="mailto:FRtech@chauvetlighting.fr">FRtech@chauvetlighting.fr</a> Website: <a href="http://www.chauvetdj.eu">www.chauvetdj.eu</a>
<b>Chauvet Germany</b>	
Address: Bruno-Bürgel-Str. 11 28759 Bremen Germany Voice: +49 421 62 60 20	Email: <a href="mailto:DEtech@chauvetlighting.de">DEtech@chauvetlighting.de</a> Website: <a href="http://www.chauvetdj.eu">www.chauvetdj.eu</a>
<b>Chauvet Mexico</b>	
Address: Av. de las Partidas 34 - 3B (Entrance by Calle 2) Zona Industrial Lerma Lerma, Edo. de México, CP 52000 Voice: +52 (728) 690-2010	Email: <a href="mailto:servicio@chauvet.com.mx">servicio@chauvet.com.mx</a> Website: <a href="http://www.chauvetdj.mx">www.chauvetdj.mx</a>

Outside the U.S., U.K., Ireland, France, Germany, Benelux, or Mexico, contact the dealer of record. Follow the instructions to request support or to return a product. Visit our website for contact details.