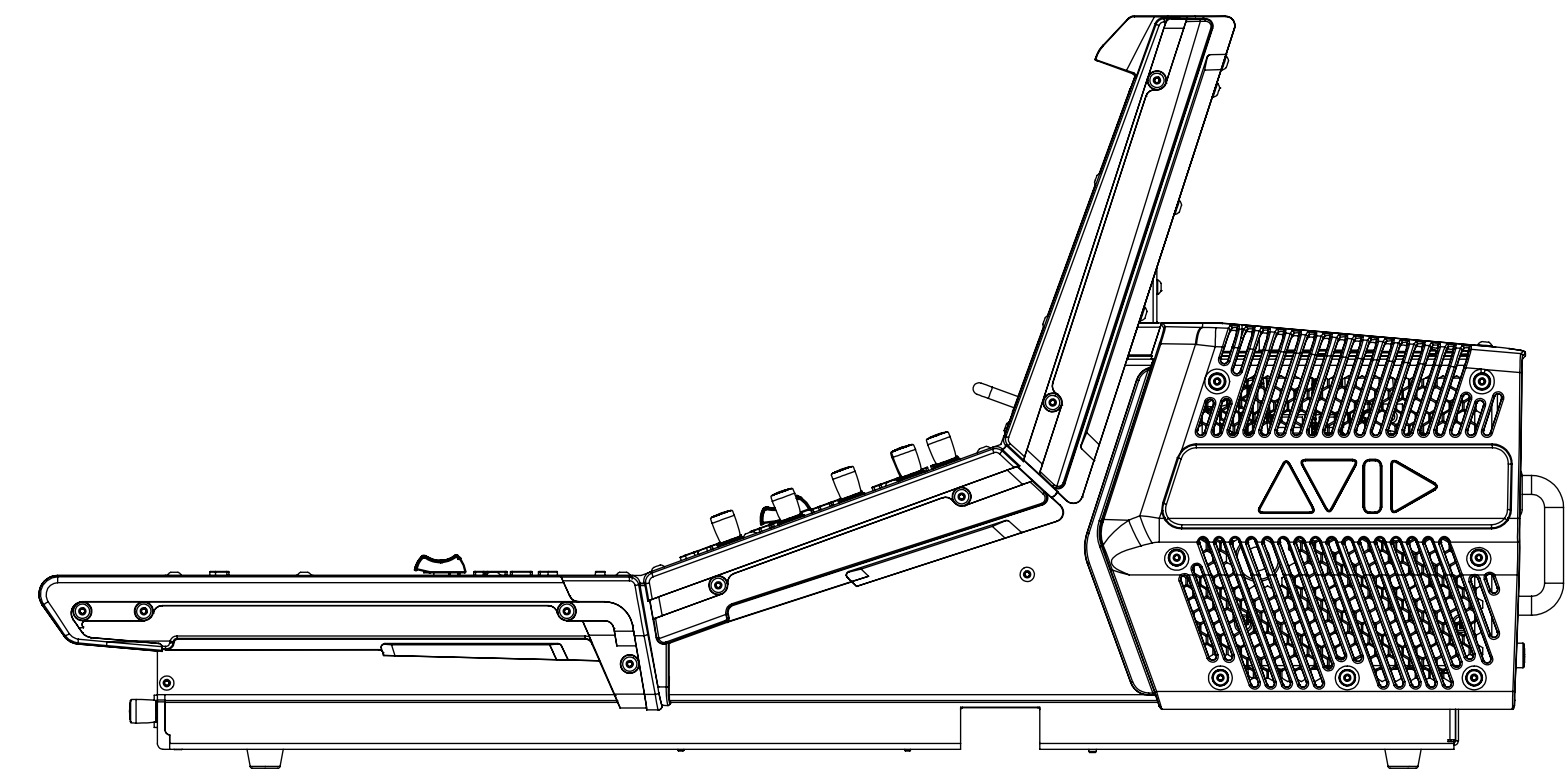
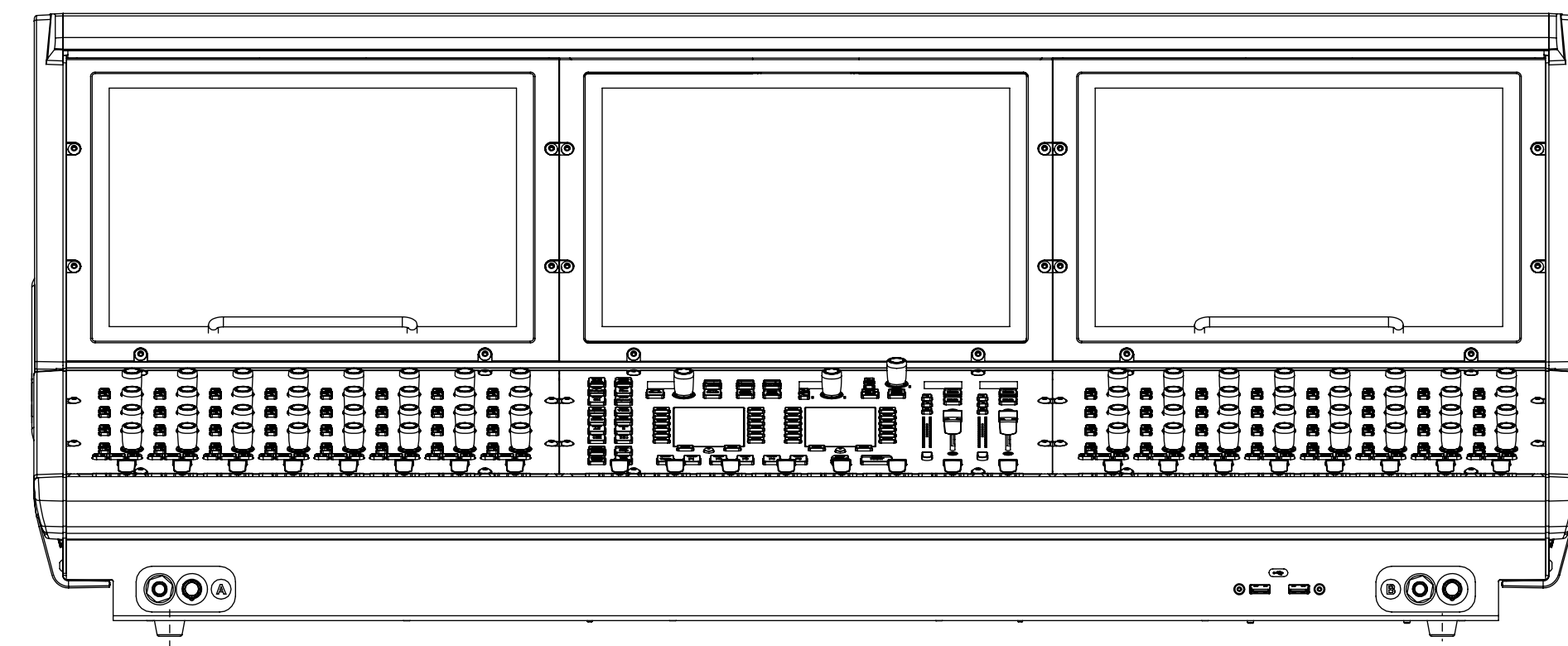
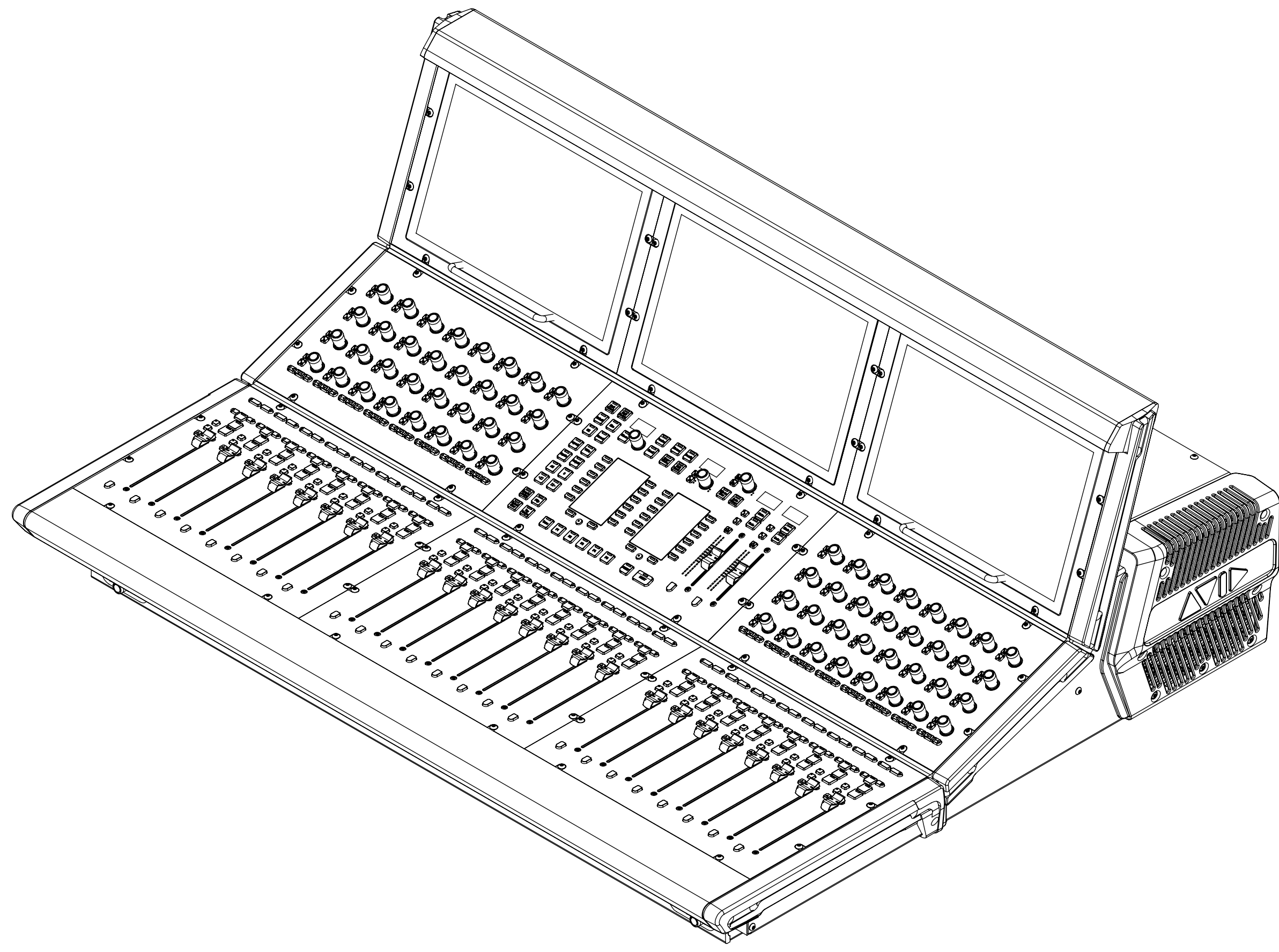
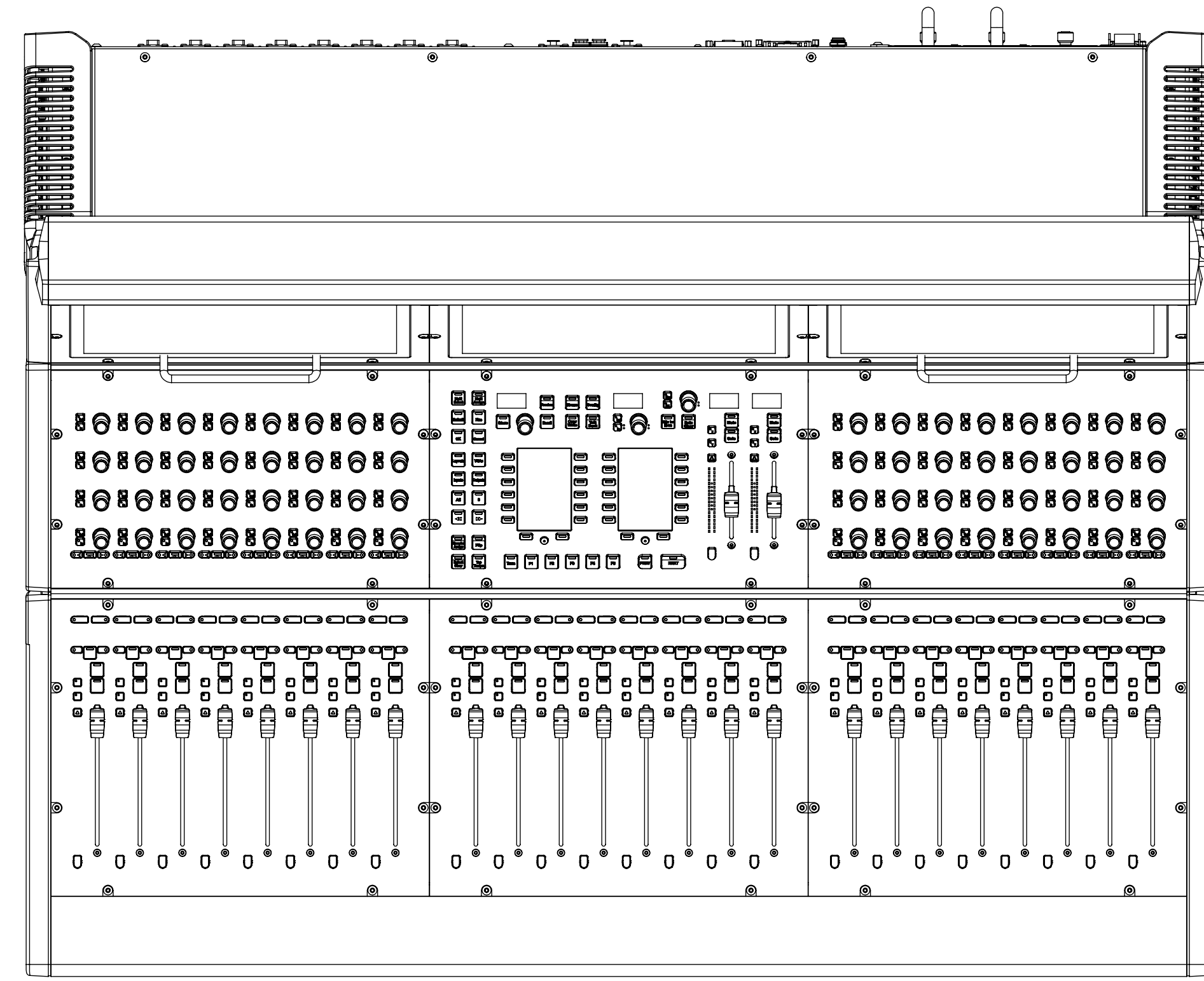


REVISIONS			
REV.	DESCRIPTION	DATE	APPROVED
01	INITIAL RELEASE	09/29/2015	J.DEE



- NOTES: UNLESS OTHERWISE SPECIFIED.
- THIS IS A LIMITED DIMENSION DRAWING TO BE USED FOR PART INFORMATION AND INSPECTION. FEATURES NOT DIMENSIONED ARE CONTROLLED BY THE RELATED CAD MODEL.
 - ALL MATERIALS SHALL BE ROHS COMPLIANT. VENDOR SHALL PROVIDE A CERTIFICATE OF COMPLIANCE WITH EACH SHIPMENT.
 - ALL DIMENSIONS AND NOTES ON THIS DRAWING, FOR EACH REVISION UPDATE, MUST BE APPROVED AS PER THE AVID WORLDWIDE FIRST ARTICLE INSPECTION PROCEDURE FOR CUSTOM PARTS, 0150-30039-01, AT THE CURRENT REVISION LEVEL.

UNLESS OTHERWISE SPECIFIED DIMENSIONS ARE IN MILLIMETERS

INTERPRET DIM AND TOL PER ASME Y14.5

DO NOT SCALE DRAWING

THIRD ANGLE PROJECTION

RESP. ENG. J.DEE

DATE CHANGED 09/29/2015

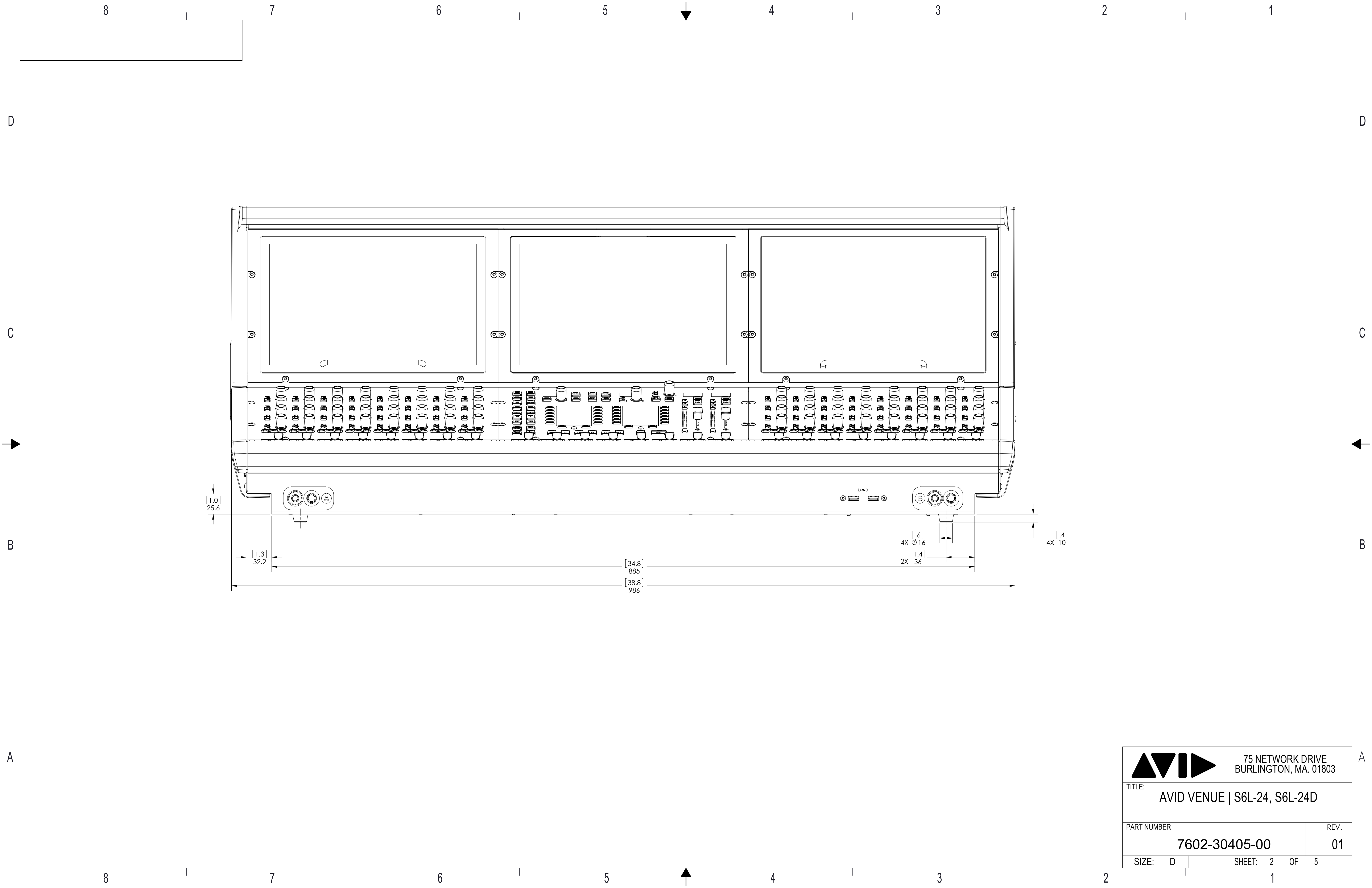
75 NETWORK DRIVE
BURLINGTON, MA. 01803


TITLE: AVID VENUE | S6L-24, S6L-24D

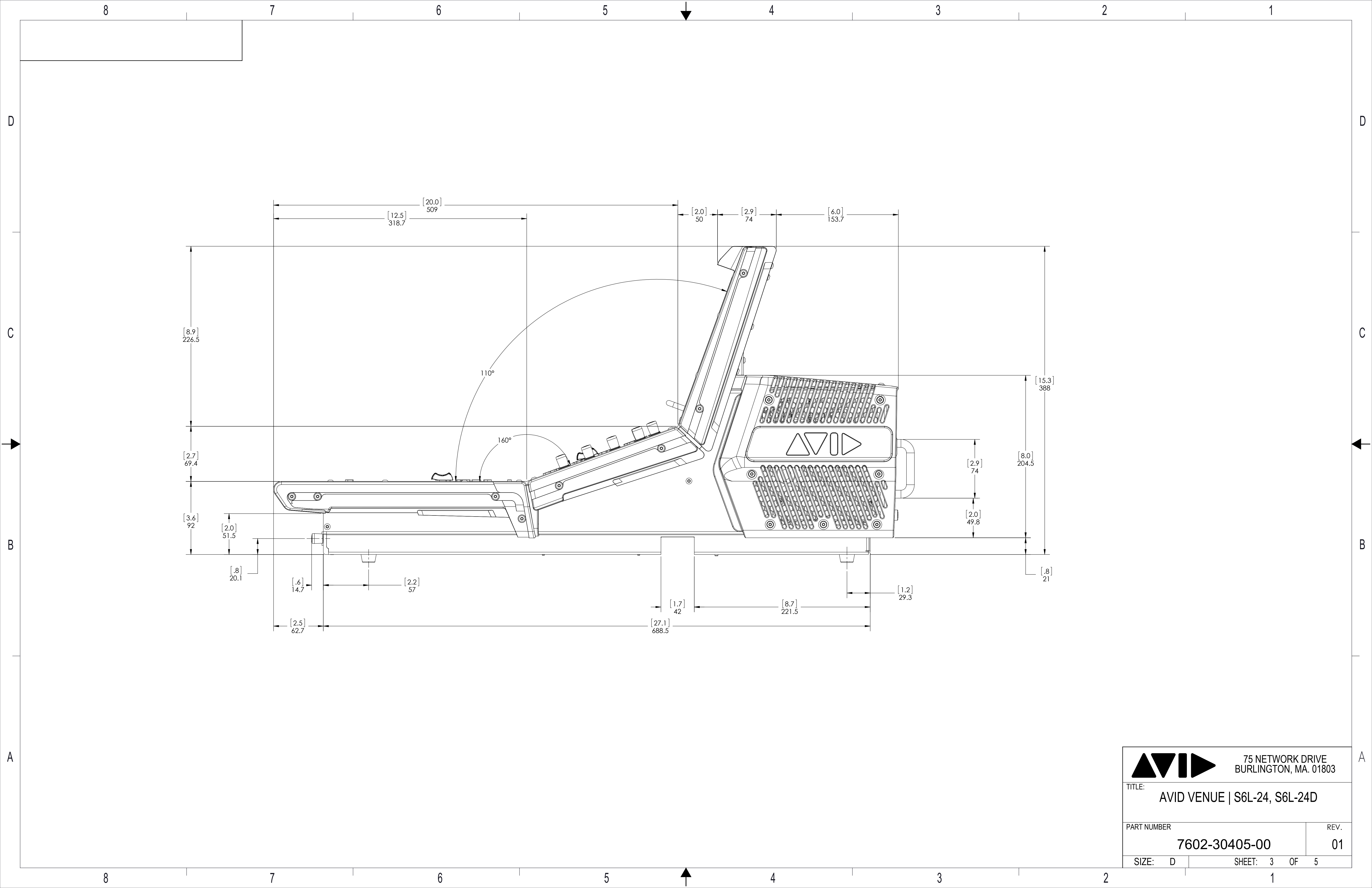
PART NUMBER 7602-30405-00


REV. 01

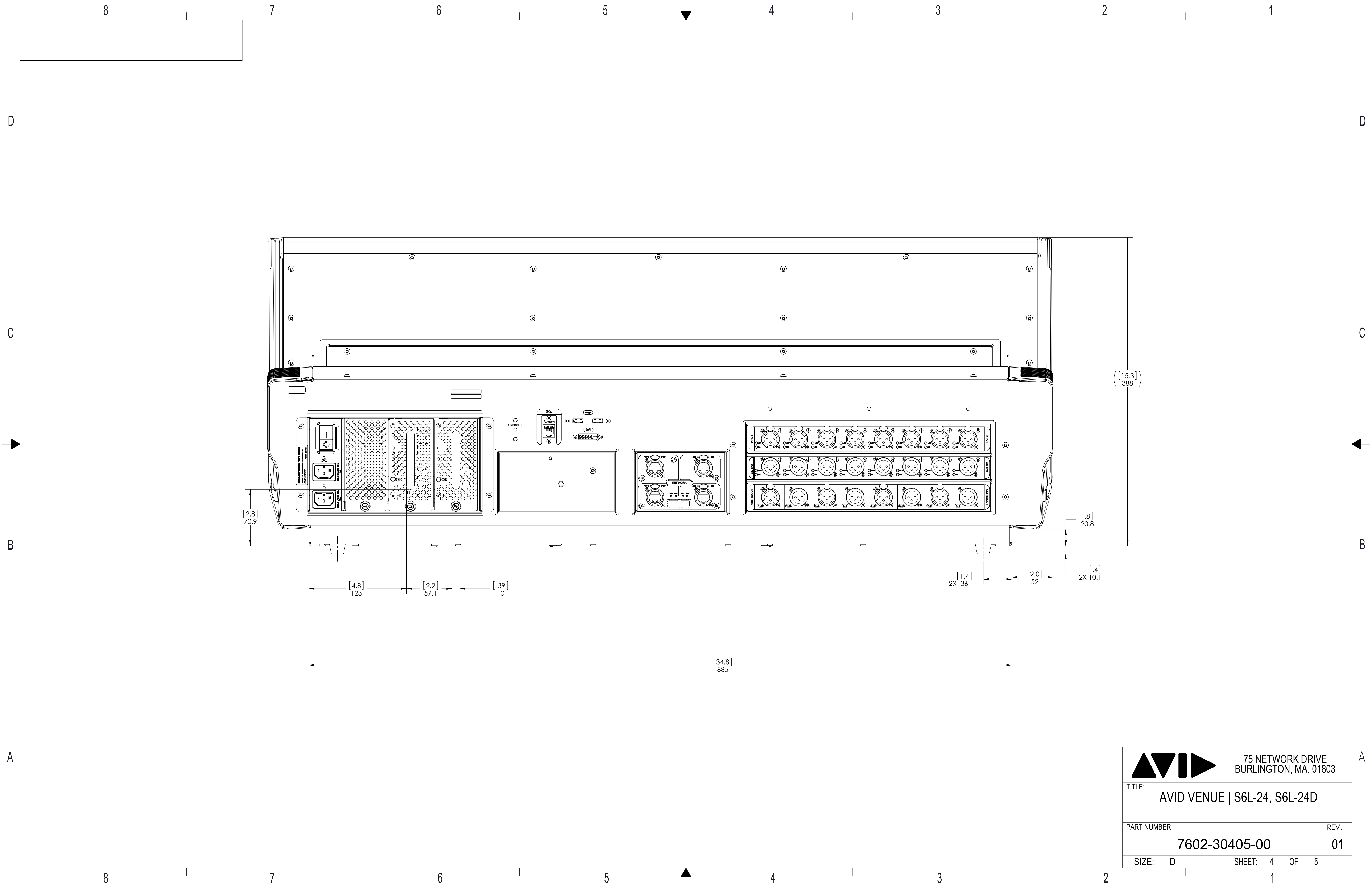
SIZE: D SHEET: 1 OF 5




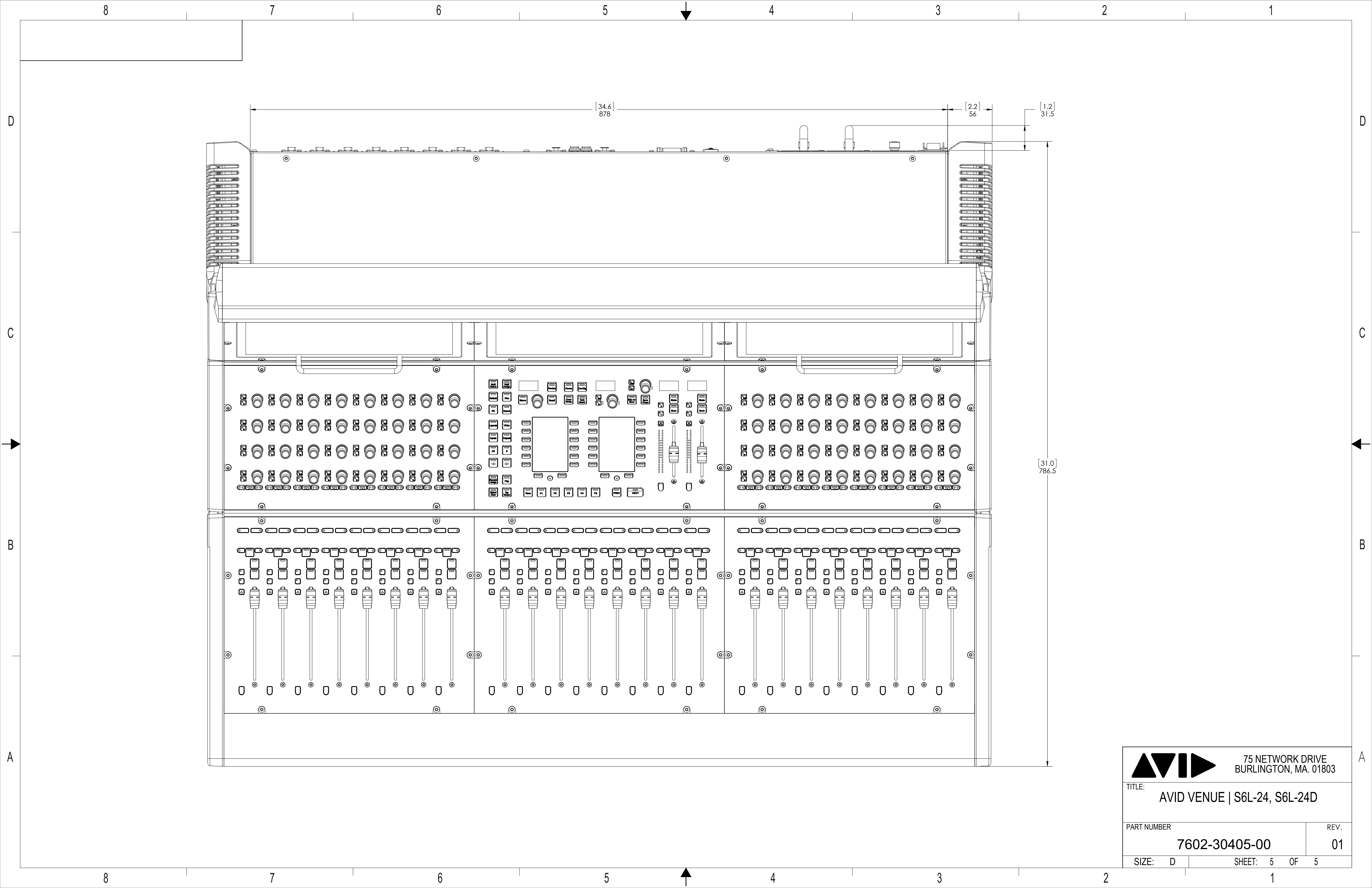
		75 NETWORK DRIVE BURLINGTON, MA. 01803	
TITLE: AVID VENUE S6L-24, S6L-24D			
PART NUMBER 7602-30405-00		REV. 01	
SIZE: D	SHEET: 2	OF 5	




		75 NETWORK DRIVE BURLINGTON, MA. 01803	
TITLE: AVID VENUE S6L-24, S6L-24D			
PART NUMBER 7602-30405-00		REV. 01	
SIZE: D	SHEET: 3	OF 5	



		75 NETWORK DRIVE BURLINGTON, MA. 01803	
TITLE: AVID VENUE S6L-24, S6L-24D			
PART NUMBER 7602-30405-00		REV. 01	
SIZE: D	SHEET: 4	OF 5	



		75 NETWORK DRIVE BURLINGTON, MA. 01803	
TITLE: AVID VENUE S6L-24, S6L-24D			
PART NUMBER 7602-30405-00		REV. 01	
SIZE: D	SHEET: 5	OF 5	