



BY-BM3030

On-Camera Shotgun Microphone
Instruction Manual

Thanks for choosing BOYA!

The BOYA BY-BM3030 is a Super-cardioid condenser shotgun microphone, 3.5 mm mini plug connector making it compatible with DSLRs, camcorders, audio recorders that equipped with 3.5mm mic input. It features an integrated shock mount that can be mounted on a camera or boompole, and is ideal for interviews, ENG and more.

The high-quality and uni-directional condenser capsule will decrease ambient noise while recording sound with greater clarity.

This mic includes a foam windscreen and fur windscreen that helps to decrease vocal plosives and wind noise when recording dialog and powered by two pieces of AA batteries (not included) for up to 150 hours.

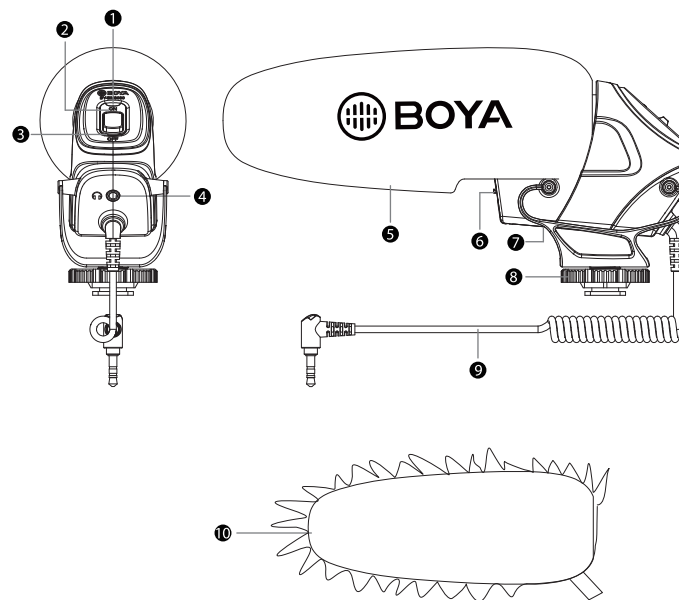
PACKAGE CONTENTS

- Microphone
- Foam windscreen
- Fur windscreen
- Carrying pouch
- Quick Setup Guide

INSTRUCTURE

1. Power Indicator
2. Power ON
3. Power OFF
4. 3.5mm headphone Jack
5. Foam windscreen
6. Battery Compartment
7. Shock Mount
8. Camera Shoe Mount with 1/4" Thread
9. 3.5mm TRS Audio cable

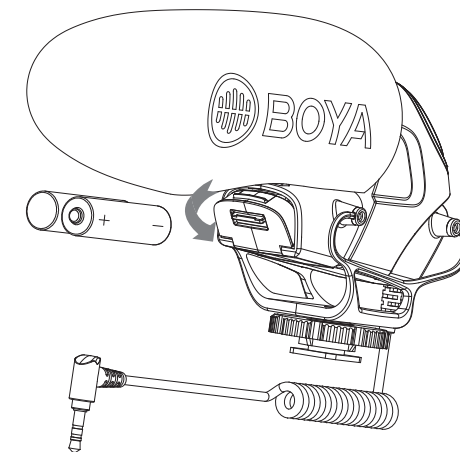
- Note:** Cable in illustrations is shown shorter for clarity.
The actual cable is longer than the one pictured.
10. Fur windscreen



HOW TO USE

Installing the battery

1. Press the bottom of battery compartment lid down and lift it up.
2. Insert the AA battery. Make sure that the + and - signs match the symbols in the compartment.
3. Replace the battery compartment lid.



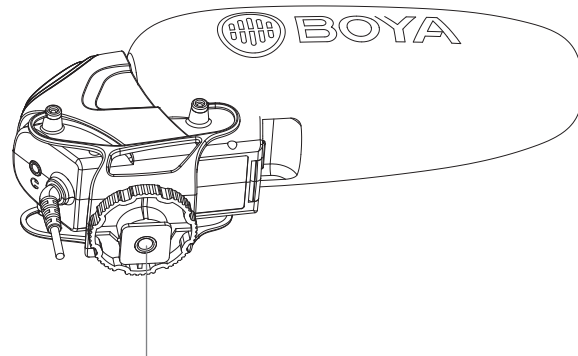
SETTING UP YOUR MICROPHONE

To attach your microphone to a camera:

1. Loosen the locking knob, then slide your microphone's shoe mount onto your camera.
2. Tighten the locking knob to secure your microphone.
3. Connect the 3.5 mm audio cable to your camera.

To attach your microphone to a tripod:

1. Tighten the microphone to the 1/4" screw on a tripod or tripod plate. See the instructions that came with your tripod for more information.
2. Connect the 3.5 mm audio cable to your camera.



1/4" mounting threads

USING YOUR MICROPHONE

- 1 Turn on your camera.
2. Slide the power switch to ON, the LED indicator lights up.
3. Aim the microphone at the sound source and away from unwanted sound sources (only if used on a tripod).

Tip: If using a tripod, the microphone could be held below or above as well as straight in-front of the sound source.

4. Slide the power switch to OFF when you finished recording.

TROUBLESHOOTING

Problem	Solution
No sound was recorded	Make sure that two fresh AA batteries are installed and correctly oriented in the battery compartment. Make sure the power switch on the microphone is set to the ON position and the LED indicator is on. Make sure that 3.5mm mini plug is connected to the correct AUDIO INPUT jack on the device to which you are recording.
The sound is distorted	Make sure the 3.5mm mini plug is fully plugged into the audio input jack of your camera or recorder. If your camera or device has an input control, decrease the mic gain (audio input level) on your camera until the meter reads slightly below peak level at the lowest point of the audio. Reposition the BY-BM3030 further away from the sound source.
The recording level is too low	If your camera or device has an input control, increase the mic gain (audio input level) on your camera until the meter reads slightly below peak level at the loudest point of the audio. Reposition the BY-BM3030 closer to the sound source.
Sound is distorted	Make sure the microphone boost is switched off, move away from the subject, consult camera owner's manual for audio recording settings.
The microphone is stuck in the camera's shoe mount	Make sure the locking wheel is fully loosened.

MAINTAINING YOUR MICROPHONE

- Keep your microphone away from dust, moisture, or water.
- To clean the housing, wipe with a dry micro-fiber cloth to remove dust.
- Store your microphone in the included pouch to protect it from dirt and dust.

IMPORTANT SAFETY INFORMATION

- Make sure that you follow all safety notes.
- Keep these instructions for use in a safe place. If you sell the equipment or pass it on to someone else, you should also pass on these instructions for use.

Marking on the devices



Waste disposal and protection of the environment

Electric and electronic appliances, as well as batteries, must not be disposed of together with domestic waste. The user is legally obliged to return electric and electronic appliances as well as batteries to specially set up public collecting points or the sales outlet once they have reached the end of their service life. Details are regulated by national law. The symbol on the product, the instructions for use, or the packaging refers to these provisions. The recycling of waste equipment/batteries is an important contribution to the protection of our environment.



FEATURES:

- Studio-quality condenser microphone
- Super-cardioid polar pick up pattern
- Integrated Shock Mount
- Lightweight and easy to use.
- 1/4"-20 Socket For Use with Boom Pole
- 3.5mm Mini Plug Output Connector
- Foam Windscreen Included
- Simulated Fur Wind Cover Included
- Carry Pouch Included

SPECIFICATION :

Acoustic Principle:	Line Gradient
Directional Pattern:	Super-Cardioid
Frequency Response:	40-20,000Hz
Sensitivity:	-38dB±3dB@1KHz
Signal to Noise Ratio:	78dB
Output Impedance:	200Ω
Power Supply:	2 x AA batteries
Operating time with battery:	150H
Size:	209.7 x 103.3 x 50mm (8.2" x 4" x 2")
Weight:	132g (4.7 oz)

www.boyamicro.com

SHENZHEN JIAYZ PHOTO INDUSTRIAL., LTD.

The BOYA logo is a trademark which is registered and owned by Shenzhen Jiayz Photo Industrial., Ltd.

COPY RIGHT 2010-2020

Email: sales@boyamicro.com

www.boyamicro.com / www.jiayz.com



深圳市长丰影像器材有限公司

产品/零件名称	BY-BM3030说明书	比例	1:1	版本	V01
工程图号	BY-BM3030说明书V01	物料描述	105g双铜纸 双面印刷 4折页		
物料编号	1F14015BY0121	尺寸/用量	尺寸: 105x178mm	1PCS	
制图人/日期	吴蒙蒙/2018/10/9	审核/日期			