



## BY-HLM1 Wearable Pin Microphone

### Introduction

Thanks for choosing BOYA!

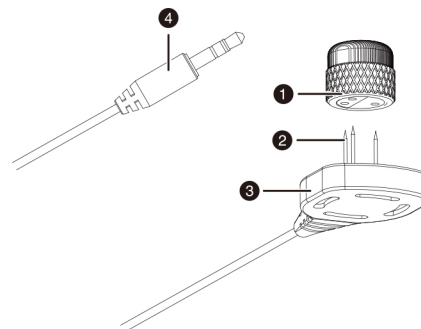
The BOYA BY-HLM1 is an Omnidirectional Wearable Pin Microphone, it features a detachable capsule head that mounts onto three pins on the microphone backplate, providing a discreet alternative that can be located almost anywhere on a wide range of clothing and fabrics.

With 3.5mm(1/8") connector, it's compatible with wireless microphones, DSLR cameras, camcorders, and most devices with a 1/8" (3.5mm) mic-level input.

It provides versatility of use, and it's ideal for presentations, film, TV, video, theatre and more.

The BOYA BY-HLM1 also includes foam windscreens and rugged carrying case.

### Main features



- ① Omnidirectional Condenser Capsule
- ② Pins
- ③ Backplate
- ④ 3.5mm(1/8") TRS Connector

### Package Contents:

- One BY-HLM1 Lavalier microphone
- Foam windscreen
- Zipper Carrying case
- Velcro
- User Manual
- Warning Card

### Features:

- Easily concealed detachable-capsule design
- Omnidirectional Polar Pattern
- Lightweight and Ultra-discreet
- 3.5mm Jack Plug
- Wide Range of Compatibility
- Includes Zipper Carrying case

### How to use

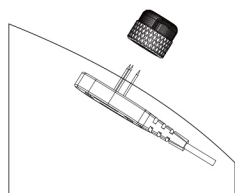
1. Connect to BY-HLM1 with equipment, wireless microphone or any others equipment fits 3.5mm (1/8") TRS Connector.

2

3

4

2. Put the backplate up underneath the user's clothing, then press the pins through to clothing.



3. Once the pins are exposed, simply match the receptacles on the capsule to the pins on the backplate and press on.



#### Note:

Please position as close as possible to the sound source for the better performance.

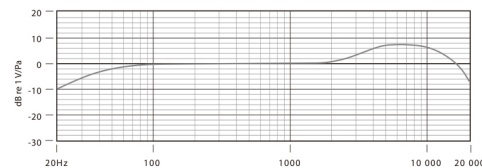
5

### Specifications

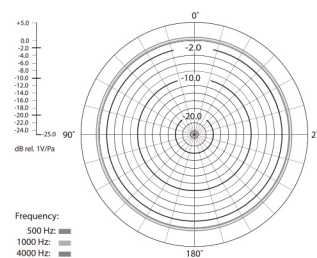
Transducer:	Omni-directional
Acoustic Principle:	Permanently polarised condenser
Frequency Response:	50Hz-20,000Hz
Sensitivity:	-30±3dB(0dB=1V/Pa,at 1KHz)
Output Impedence:	2.2kΩ
Maximum Output:	150mV
Dynamic Range:	85dB
Plug:	3.5mm jack plug
Dimensions(L*H*D):	39.5*22*17.5mm
Cable length:	1.2m (3.9ft)
Net Weight:	16g
Operating temperature:	-10°C to +55°C
Storage temperature:	-20°C to +75°C

6

### Frequency Range



### Polar Response



7

[www.boya-mic.com](http://www.boya-mic.com)

SHENZHEN JIAYZ PHOTO INDUSTRIAL., LTD.

The BOYA logo is a trademark which is registered and owned by Shenzhen Jiayz Photo Industrial., Ltd.  
COPY RIGHT 2010-2020  
Email: [sales@boya-mic.com](mailto:sales@boya-mic.com)  
[www.boya-mic.com](http://www.boya-mic.com) / [www.jiayz.com](http://www.jiayz.com)