

# W8LMI

Three-way, compact line array element

architectural

## features

- ▶ Mini, three-way line array element
- ▶ Hybrid™ dual 8" (200mm) LF+MF configuration (-3dB @ 60Hz)
- ▶ LF+MF – 100dB @ 1W, 1m (single cabinet)
- ▶ Twin 1" (25mm) HF horn – 106dB @ 1W, 1m (single cabinet)
- ▶ Consistent 100° (-6dB) horizontal mid and HF pattern control
- ▶ Passive or bi-amp operation
- ▶ 12 ohm system impedance, up to 4 cabinets on one amplifier channel
- ▶ Integral rigging system with variable splay angles
- ▶ 7:1 safety factor with arrays of up to 12 cabinets
- ▶ Compatible with W8LM flying frame and lifting bar
- ▶ Display™ array optimisation software
- ▶ Loudspeaker management preset files for a wide variety of configurations

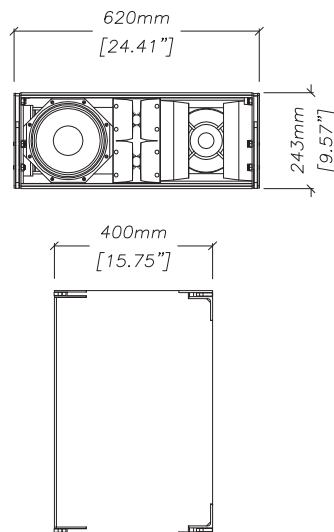
## applications

- ▶ Suited to the requirements of fixed installations

The W8LMI is a compact line array enclosure designed to bring line array performance to small and medium scale applications in the fixed installation market. It features the same acoustic components and construction as the touring W8LM as well as a custom-designed integral flying system tailored to the needs of a fixed installation environment, such as theatres and indoor venues. The flying hardware is rated at 7:1 for 12 cabinets and is compatible with the W8LM flying frame and lifting bar.

Following the constant directivity horn design philosophy of the W8L and the W8LC, the W8LMI is a three-way system that combines line array principles with innovative horn loading techniques to produce a next generation, small line array with maximum dynamic impact.

## overall dimensions



W8LMI



## technical specifications

TYPE	Three-way, compact line array element
FREQUENCY RESPONSE (5)	60Hz-18kHz $\pm$ 3dB
DRIVERS: LF + MF Section	8" (200mm)/2" (50mm) voice coil, reflex-loaded direct radiator
HF Section	8" (200mm)/2" (50mm) voice coil, neodymium driver, front horn loaded, rear reflex loaded
	2 x 1" (25mm) exit HF compression drivers, horn loaded
RATED POWER (2)	LF + MF: 400W AES, 1600W peak HF: 75W AES, 300W peak Passive: 400W AES, 1600W peak
SENSITIVITY (6)	LF + MF: 100dB HF: 106dB Passive: 99dB rising to 105dB at HF
MAXIMUM SPL (calculated @ 1m)	LF + MF: 125dB continuous, 131dB peak HF: 125dB continuous, 131dB peak Passive: 124dB continuous, 130dB peak
NOMINAL IMPEDANCE	LF + MF: 12 ohms HF: 12 ohms Passive: 12 ohms
DISPERSION (-6dB)	100° horizontal (down to 800Hz), 120° horizontal (down to 700Hz) @ -10dB 7.5° vertical
CROSSOVER	300Hz passive, 2.2kHz active or passive
ENCLOSURE	Vertical trapezoid with 3.75° wall angle, multi-laminate birch ply construction
FINISH	Textured paint
PROTECTIVE GRILLE	Perforated steel
CONNECTORS	2 x Neutrik NL4
DIMENSIONS	(W) 620mm x (H) 243mm x (D) 400mm (W) 24.4ins x (H) 9.57ins x (D) 15.75ins
WEIGHT (including rigging hardware)	29kg (64lbs)

Century Point, Halifax Road, Cressex Business Park,  
High Wycombe, Buckinghamshire HP12 3SL, England.  
Telephone: +44 (0)1494 535312 Facsimile: +44 (0)1494 438669  
E-mail: [info@martin-audio.com](mailto:info@martin-audio.com)

All information is Copyright © 2008 Martin Audio Ltd.

Due to Martin Audio's policy of continuing improvement, we reserve the right to alter these specifications without prior notice.



[www.martin-audio.com](http://www.martin-audio.com)