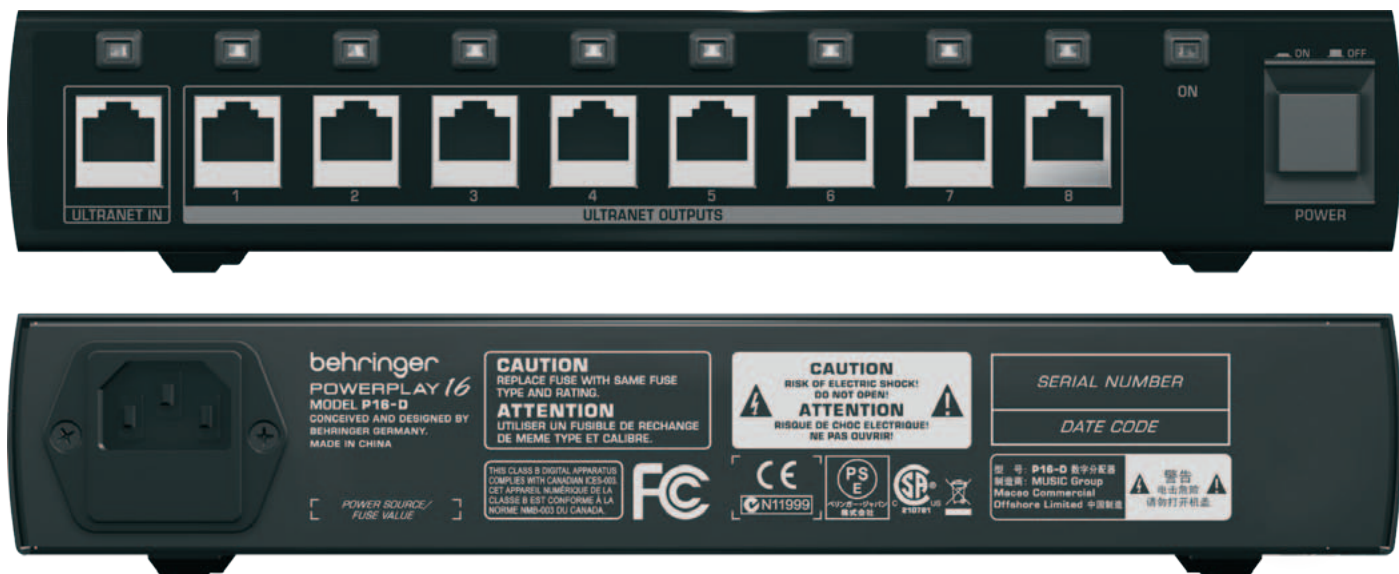


P16-D

16-Channel Digital ULTRANET Distributor



Features

- Distribution Hub for P16-I for system expansion
- 1 ULTRANET input feeds 8 ULTRANET outputs (RJ-45)
- Provides bus-power and 16-channel signal transmission for all 8 outputs
- Up to six P16-D ULTRANET Distributors can be combined for a total of forty-eight P16-M Personal Mixers
- Status LED indicators for RJ-45 input and 8 RJ-45 outputs
- Internal autorange power supply for maximum flexibility (100 - 240 V~), noise-free audio, superior transient response plus low power consumption for energy saving
- Extremely rugged construction ensures long life even under the most demanding conditions

P16-D

16-Channel Digital ULTRANET Distributor

Overview

The POWERPLAY P16-D ULTRANET Distributor extends and expands the POWERPLAY P16 personal monitor system by duplicating a single low-latency (< 0.9 ms), 16-channel, 24-bit ULTRANET signal into 8 identical digital outputs. These 8 cloned digital signals can then each be sent to a P16-M personal mixer or other ULTRANET device.

Each P16-D ULTRANET Distributor receives the ULTRANET signal through a single CAT5e RJ-45 input jack. The P16-D then clones the ULTRANET signal and sends 8 copies back out through the unit's 8 ULTRANET RJ-45 output jacks.

In addition to the ULTRANET 16-channel digital signal, each P16-D also sends out a power signal through each ULTRANET output. When power outlets are scarce, each of these bus-power signals can be used to power a P16-M mixer. Each of these P16-M mixers then allows each user to create their own personal, customized headphone or monitor mix.

Within a large ULTRANET network originating from a P16-I Input Module, the P16-I Input Module can send out 6 identical ULTRANET signals, each with 16 channels of 24-bit audio, to 6 P16-D hubs. Each P16-D hub in turn distributes 8 copies of the same 16-channel digital signal to 8 P16-M Digital Mixers, for a total of 48 P16-M mixers.

The P16-D also seamlessly integrates with the X32 digital mixer. The X32's single ULTRANET output signal can be sent to a single P16-D hub for further distribution to P16-M mixers or additional P16-D distribution hubs.

As part of an ULTRANET network, the P16-D supports a complete personal monitoring solution for live, studio, or installed sound applications.

Technical Specifications

Ultranet Distributor

Digital Inputs / Outputs (Ultranet)

- Ultranet in 1 x RJ45
- Ultranet outputs 8 x RJ45

Power Supply / Voltage (Fuses)

- USA / Canada 120 V~, 60 Hz (T 1 A H 250 V)
- UK / Australia / Europe 220-240 V~, 50/60 Hz (T 1 A H 250 V)
- Korea / China 220-240 V~, 50/60 Hz (T 1 A H 250 V)
- Japan 100 V~, 50/60 Hz (T 1 A H 250 V)

Power consumption

max. 40 W

Mains connection

Standard IEC receptacle

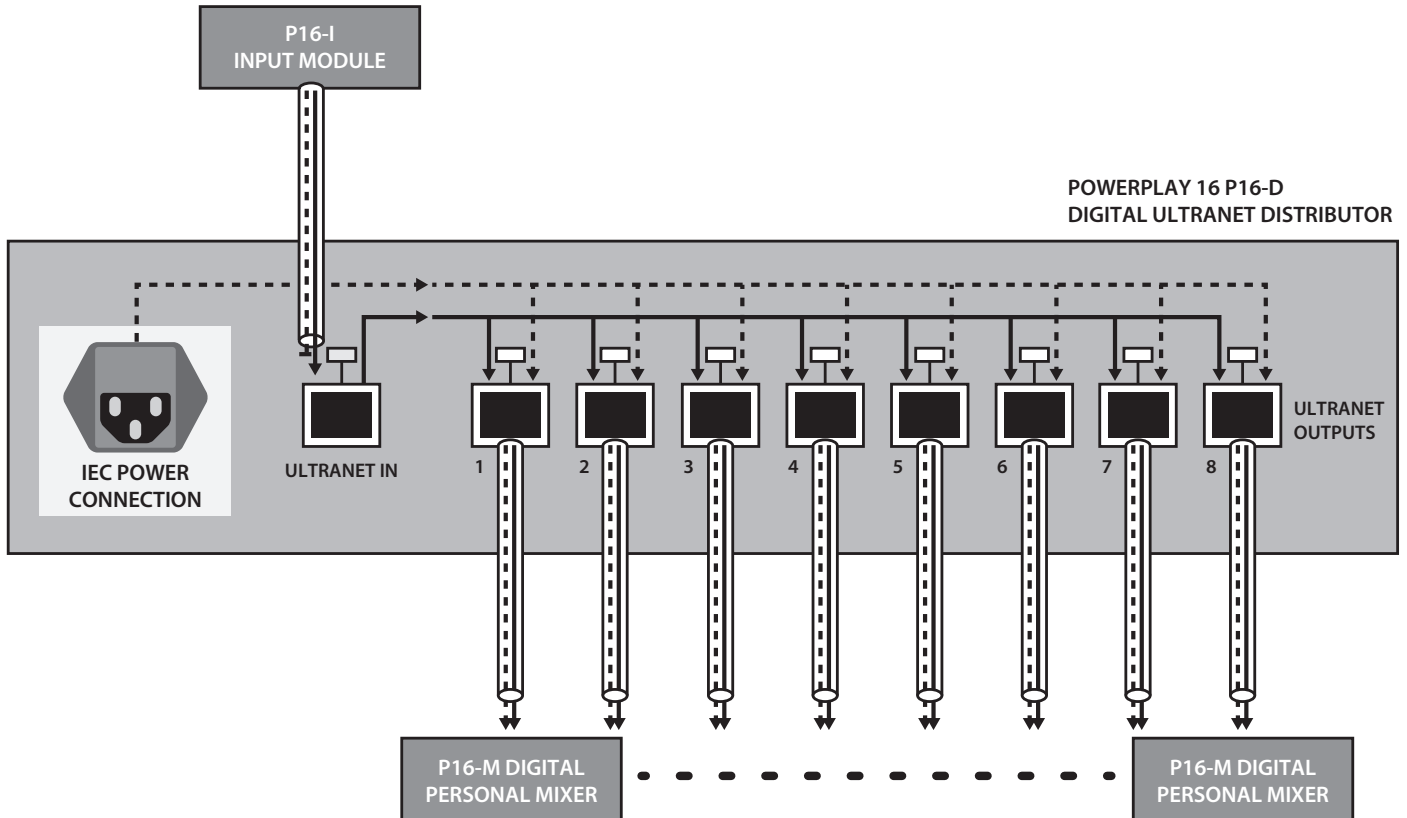
Dimensions / Weight

- Dimensions (H x W x D) appr. 1.7 x 10 x 6.3"
appr. 44 x 254 x 160 mm (1U)
- Weight appr. 2.4 lbs / 1.1 kg

P16-D

16-Channel Digital ULTRANET Distributor

Block Diagram



- BUS-POWER SIGNAL**
 >incoming power signal - ignored
 >outgoing power signal - only if P16-D is powered on

- 16-CHANNEL DIGITAL AUDIO SIGNAL**
 >incoming audio signal - distributed parallel to 8 outputs
 >even if P16-D is powered OFF - audio signal distributed

P16-D

16-Channel Digital ULTRANET Distributor

Dimensional Drawings

