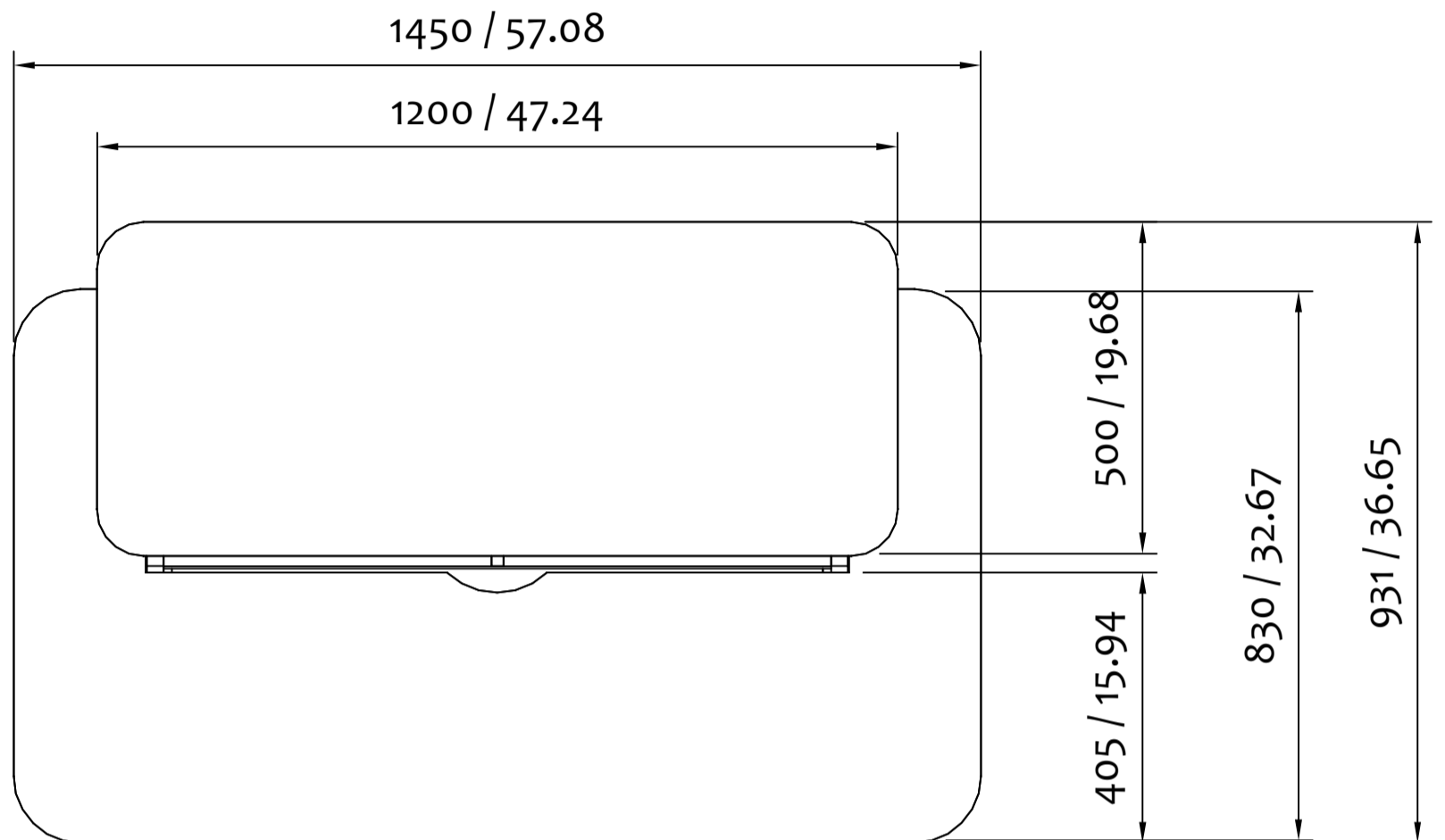
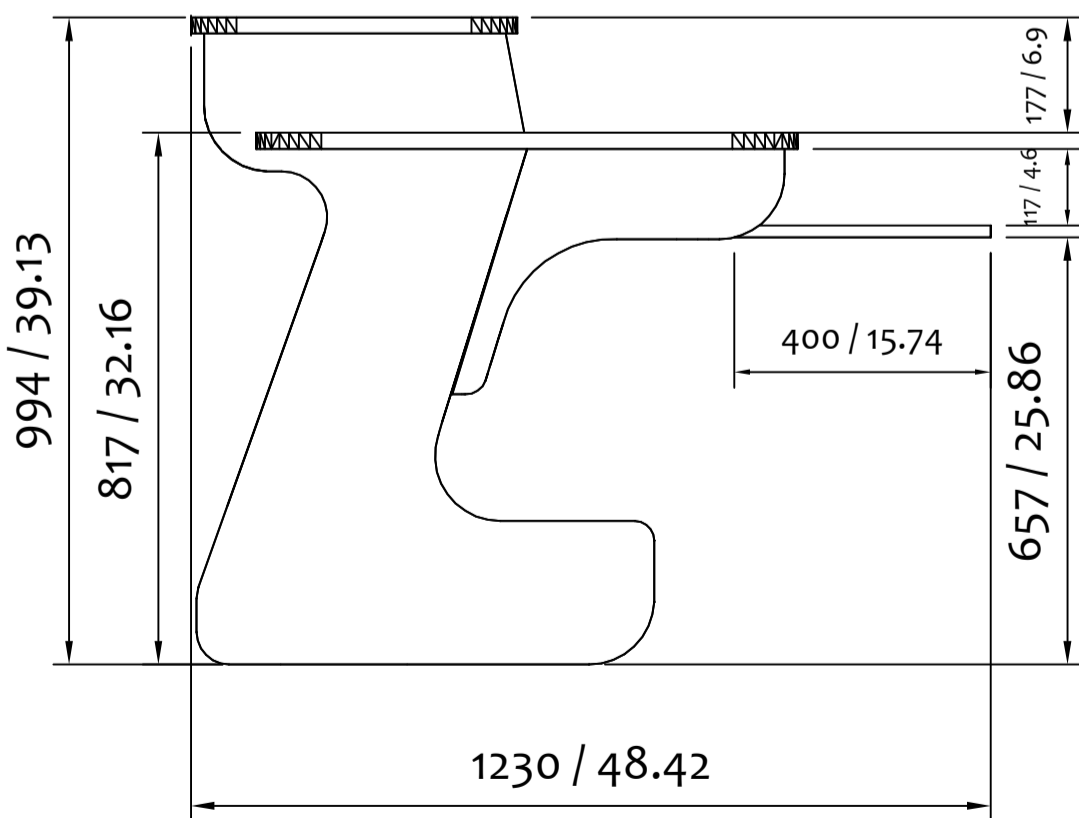


## Technical Plan (in mm/inch)

TOP VIEW



SIDE VIEW



DIAGONAL VIEW

