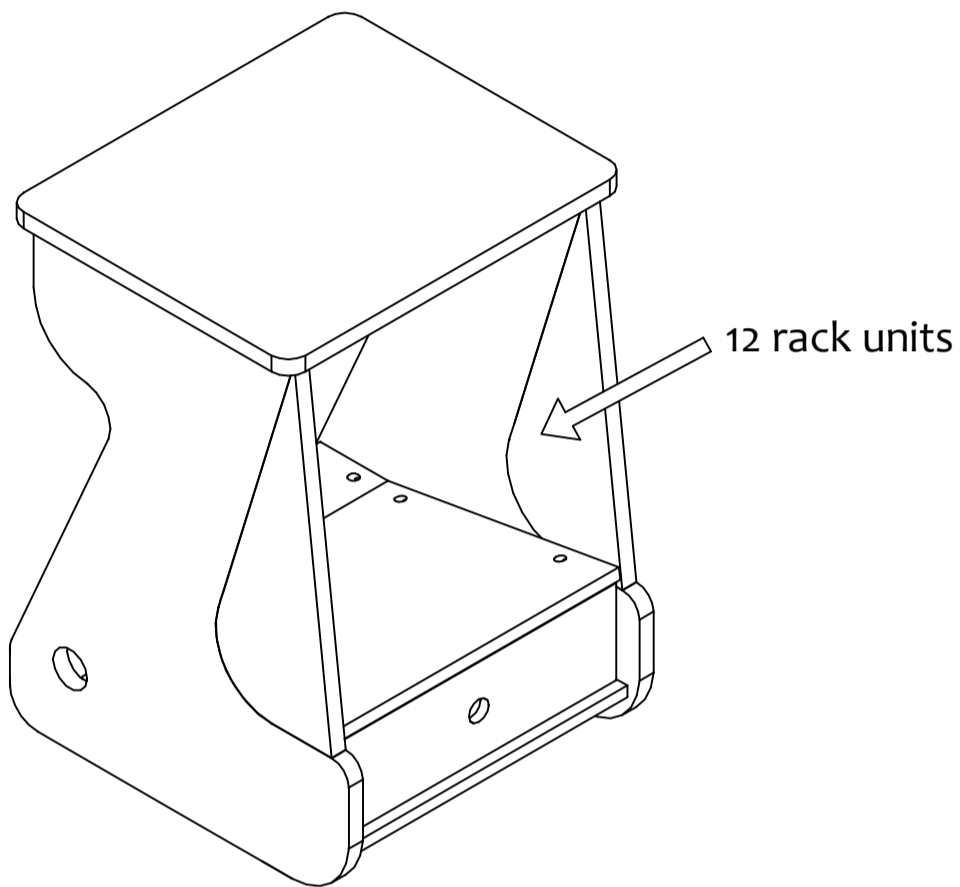
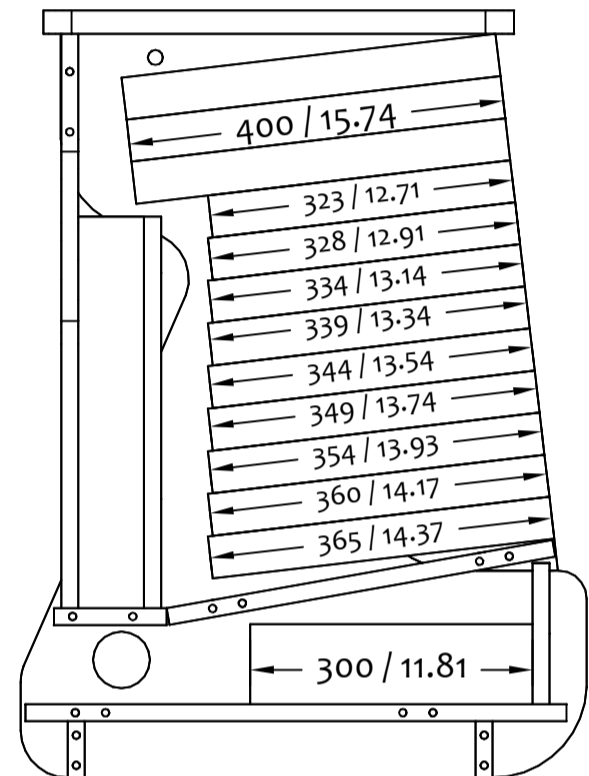


Technical Plan (in mm)

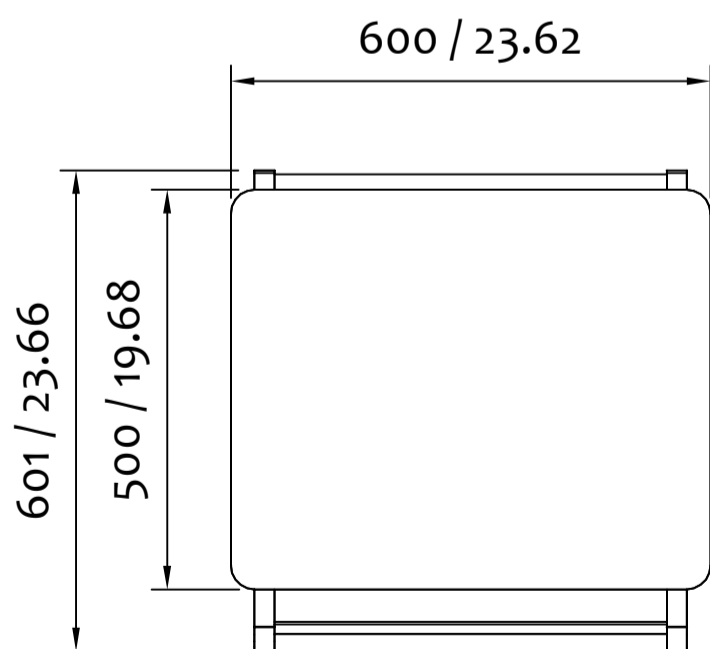
DIAGONAL VIEW



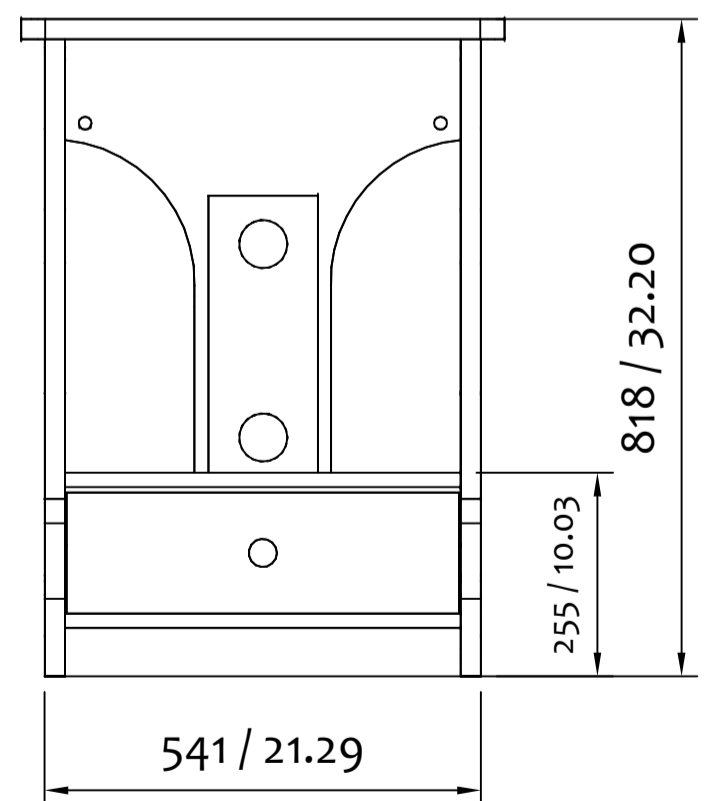
SIDE VIEW



TOP VIEW

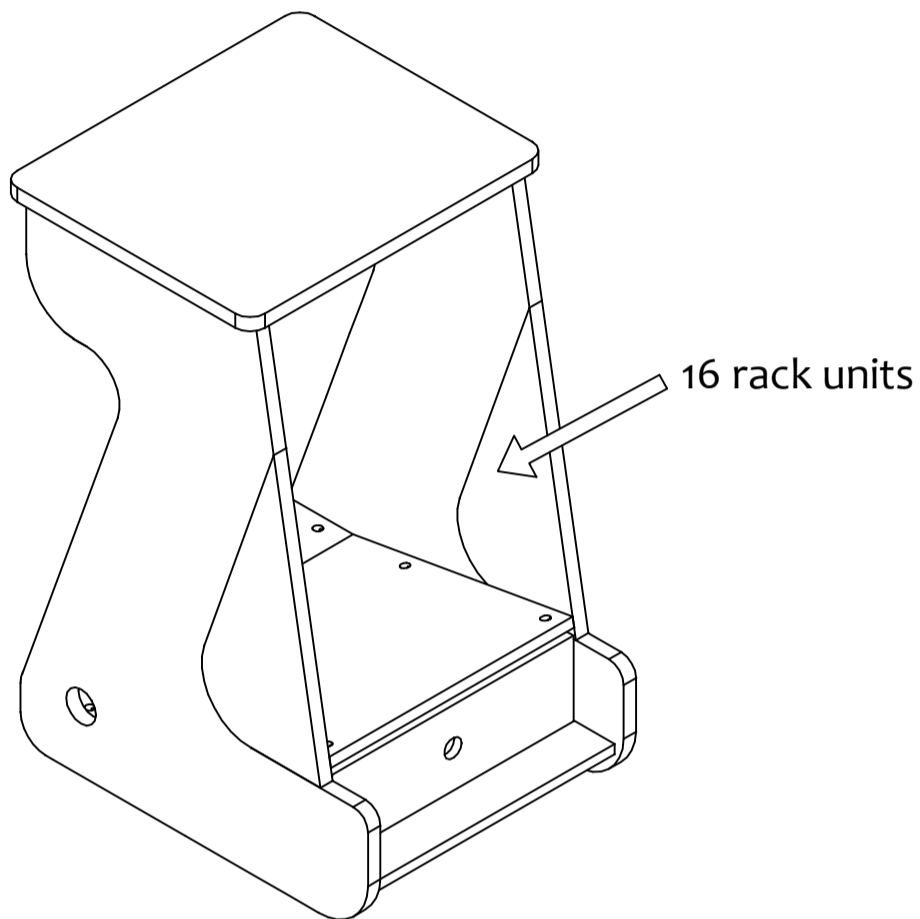


FRONTAL VIEW

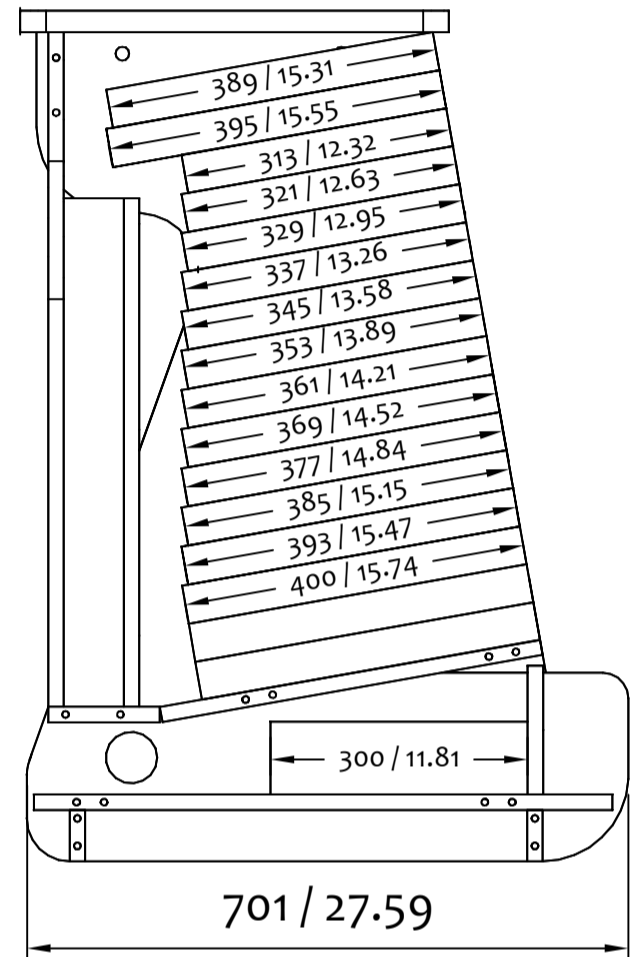


Technical Plan (in mm/inch)

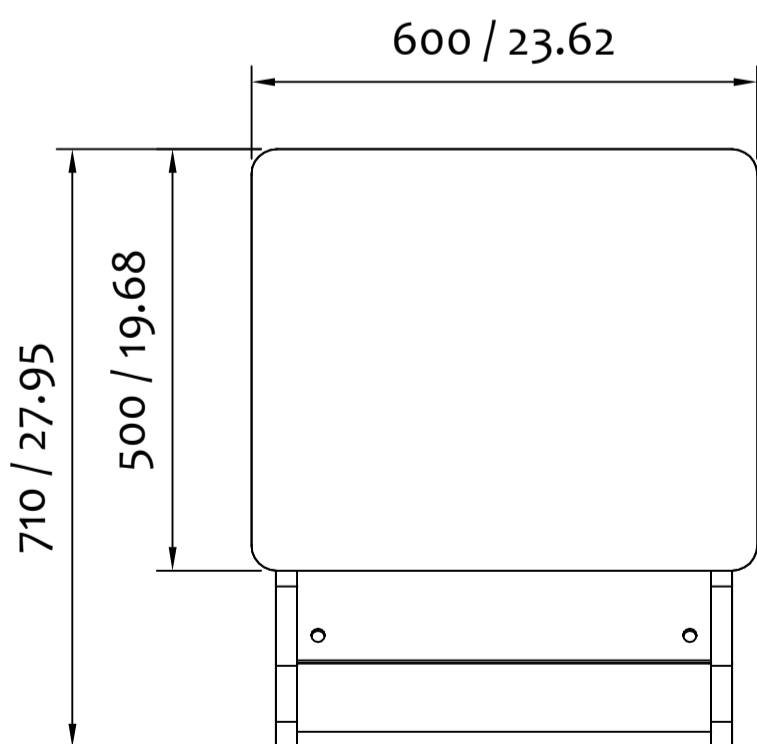
DIAGONAL VIEW



SIDE VIEW



TOP VIEW



FRONTAL VIEW

