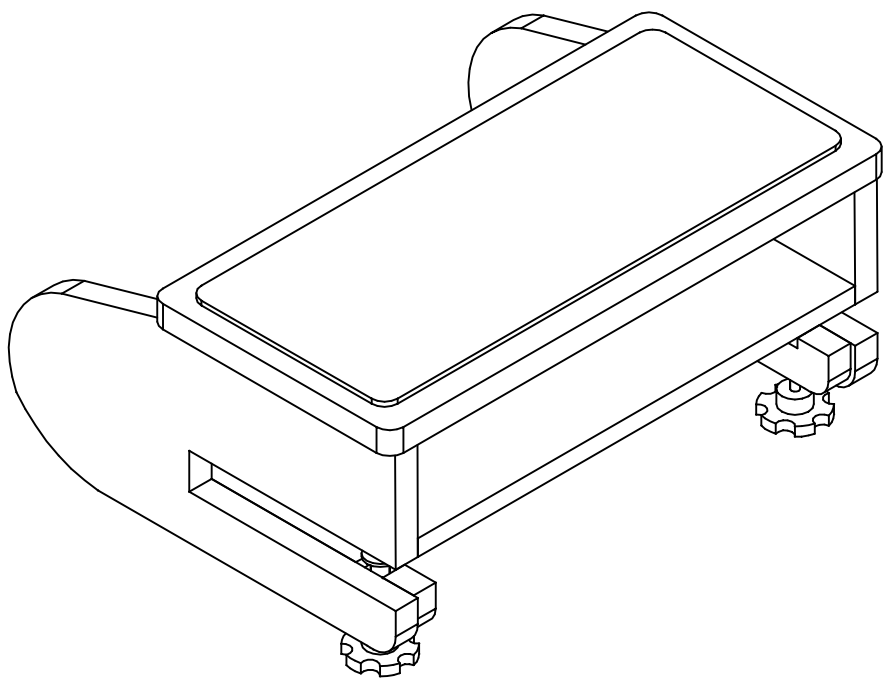
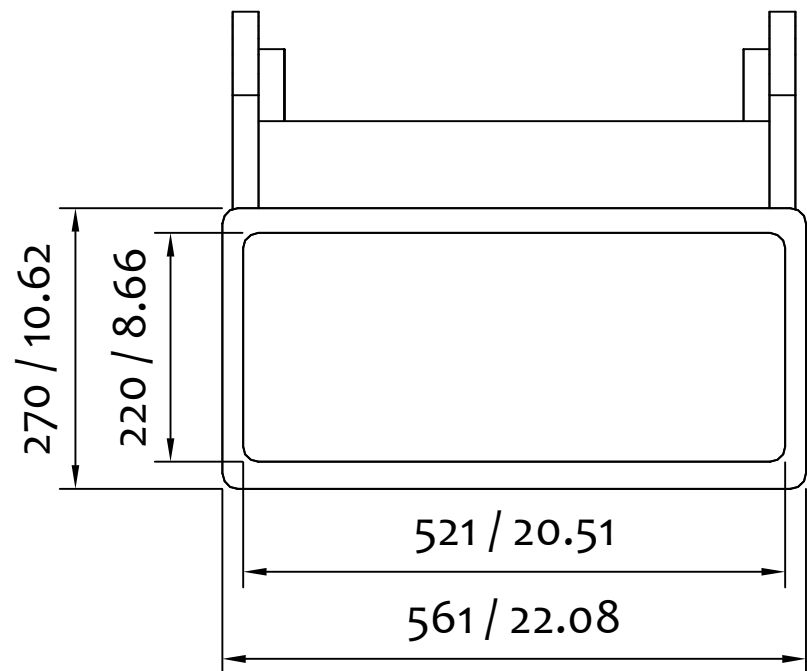


Technical Plan (in mm/inch)

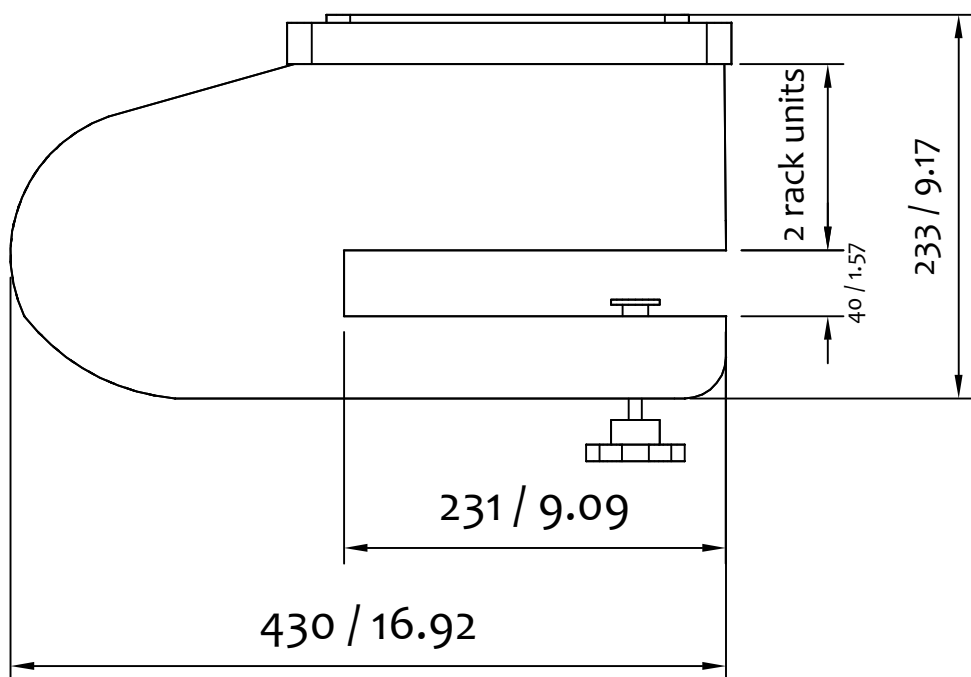
DIAGONAL VIEW



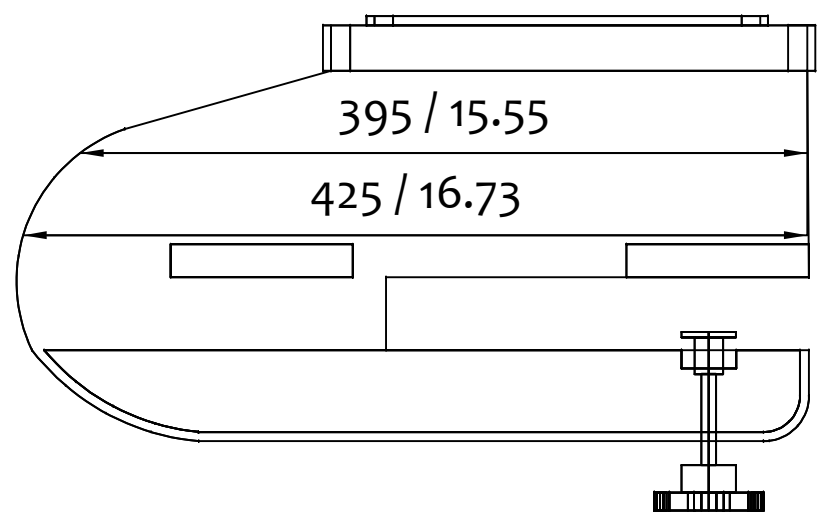
TOP VIEW



SIDE VIEW

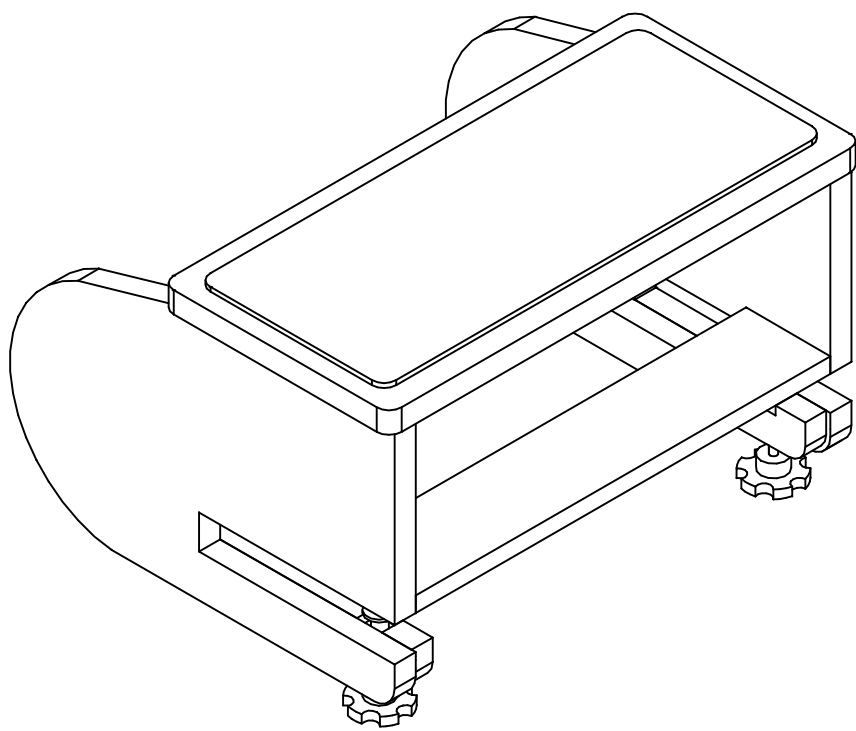


SIDE VIEW

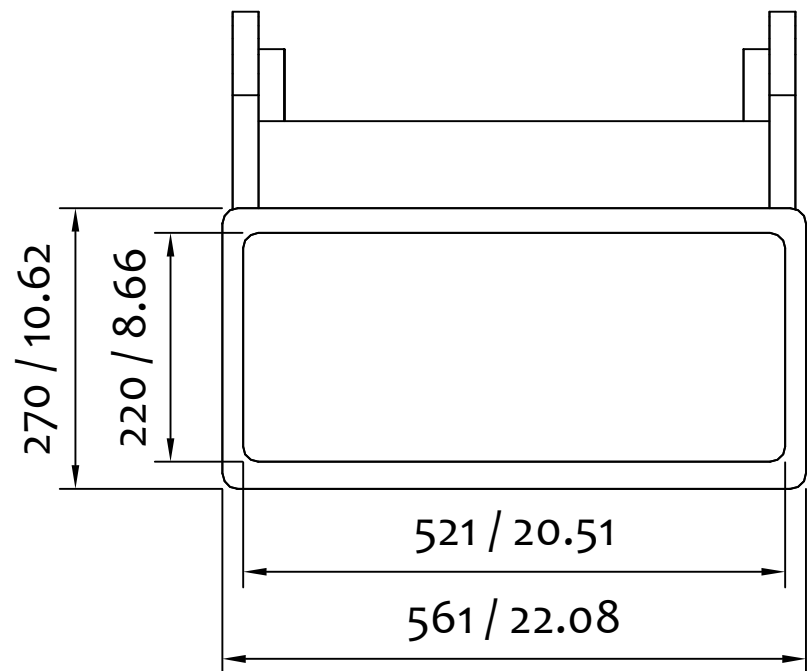


Technical Plan (in mm/inch)

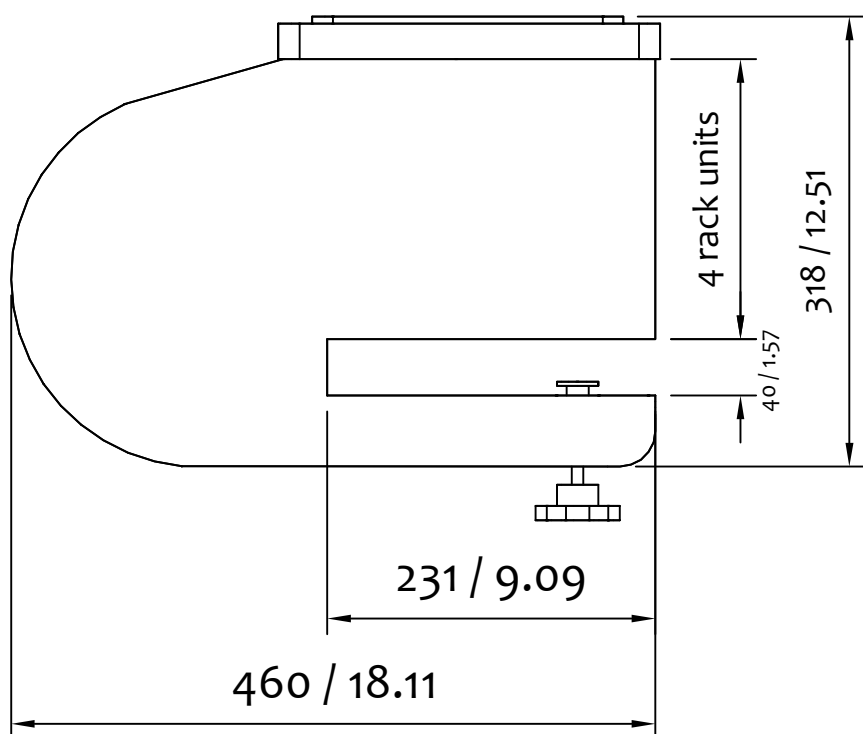
DIAGONAL VIEW



TOP VIEW



SIDE VIEW



SIDE VIEW

