

MS140 MONITOR SPEAKER STAND

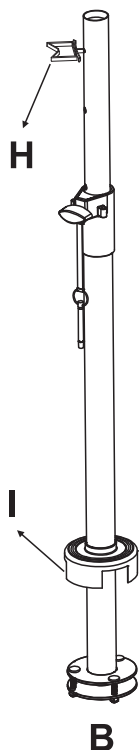
GENERAL INTRODUCTION

MS140 is a monitor speaker stand. The steel material and triangular feet stand make the stand firm and stable. Two long EVA on top platform prevent the speakers from drooping and rubber feet reduce vibration when using. Six adjustable levels with safety pin help you to position the speaker in an ideal height. It features a cable cleat to collecting the devices cable.

FEATURE

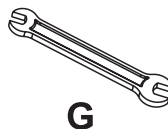
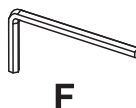
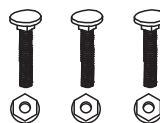
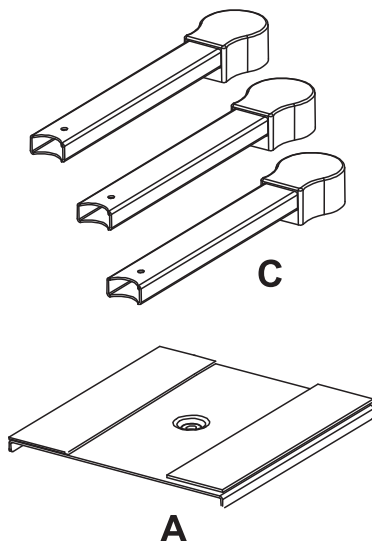
- * Steel material and triangular feet stand;
- * Six adjustable levels;
- * Monitor speaker stand.

INSTALLATION STEP



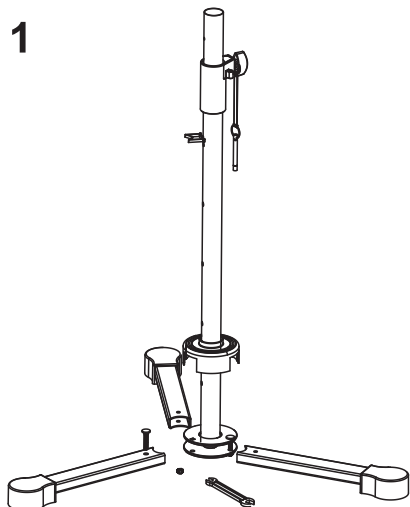
Component

- A. Square monitor platform
- B. Adjustable vertical shafts
- C. Legs with rubber feet attached
- D. Short hex bolt/washer
- E. Long hex bolts with nuts
- F. Allen wrench
- G. Hex wrench
- H. Cable cleat
- I. Cover cap



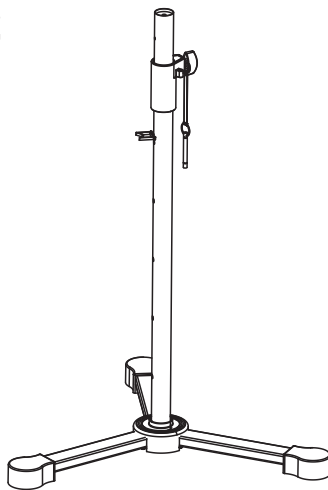
INSTALLATION STEP

1



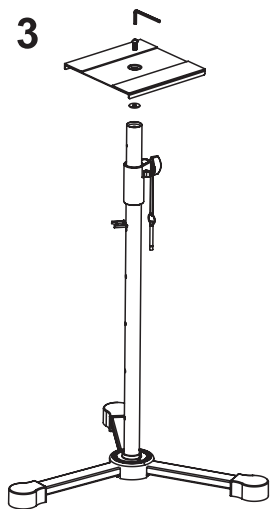
Inserting the Legs with rubber feet attached(C) into stand base(make the holes in line), then use hex wrench(G) switching the long hex bolts with nuts(E) into stand base, lock it.

2



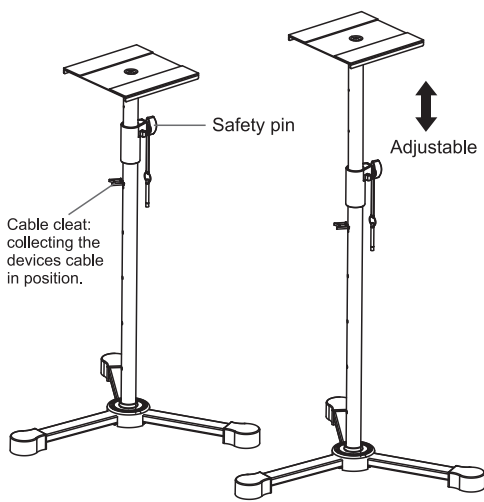
Push the cover cap(I) into position.

3



Use Allen wrench (F) switching the short hex bolt/washer (D) into square monitor platform(A), lock it.

4



Height adjustable: six adjustable levels. Adjust monitor plate height by loosening safety pin and move upper adjustable vertical shafts(B) to desire height.

SPECIFICATION

- * Square monitor platform size: 230mm x 230mm
- * Six adjustable level: 890mm, 1010mm, 1130mm, 1250mm, 1370mm, 1490mm
- * Legs with rubber feet attached length: 290mm(after inserting to the base)
- * Net weight: 4643g

Copyright © Ningbo Alctron Electronics Technology CO.,LTD. All rights reserved. Specifications and appearance subject to change without notice.

Ningbo Alctron Electronics Technology CO.,LTD.
No.76 SanCheng Road, XiuFeng Industrial Area,GaoQiao Town, NingBo, China.
Tel:+0086 574 87150672
Fax:+86 574 87157176
E-mail:info@alctron-audio.com
www.alctron-audio.com

MS140监听音箱支架

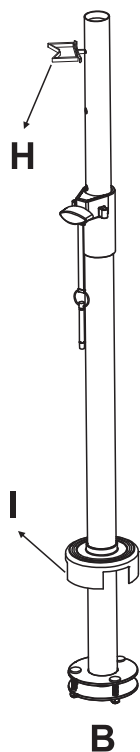
产品介绍

MS140是一款监听音箱支架。钢铁的材质和三脚支架的底座造就了产品的坚固和稳定的性能。顶部托盘上的两条长条EVA在一定程度上能够防止监听音箱从托盘上滑落到地上，橡胶脚套能够减少震动。六档可调高度能够让监听音箱位于您理想的高度位置。支架上的线夹能将设备上的线收集在一起。

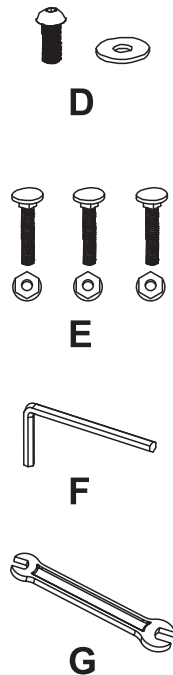
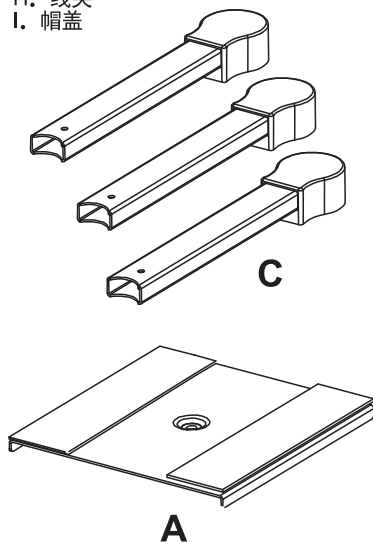
特征

- * 钢铁的材质和三脚支架的底座;
- * 六档可调高度;
- * 监听音箱支架。

按装步骤

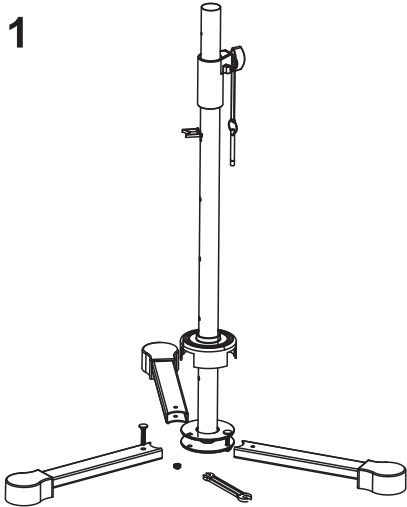


- 部件名称
- A. 监听音箱托盘
 - B. 可调支撑支架
 - C. 支架脚 (带有橡胶套)
 - D. 内六角螺钉/垫片
 - E. 外六角螺栓
 - F. 内六角扳手
 - G. 双头扳手
 - H. 线夹
 - I. 帽盖



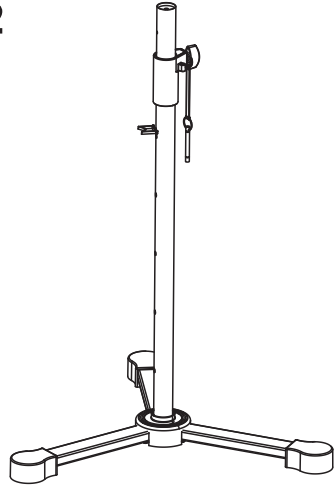
按装步骤

1



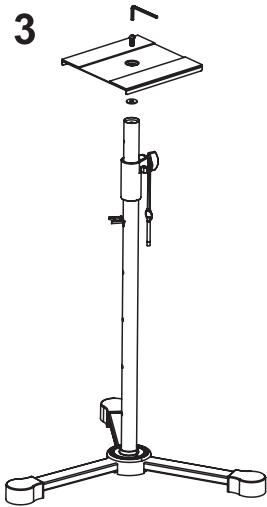
将支架脚(带有橡胶套)(C)嵌入支架底座(螺栓孔位要对齐), 随后用双头扳手(G)将支架脚(带有橡胶套)(C)用外六角螺栓(E)固定在支架底座。

2



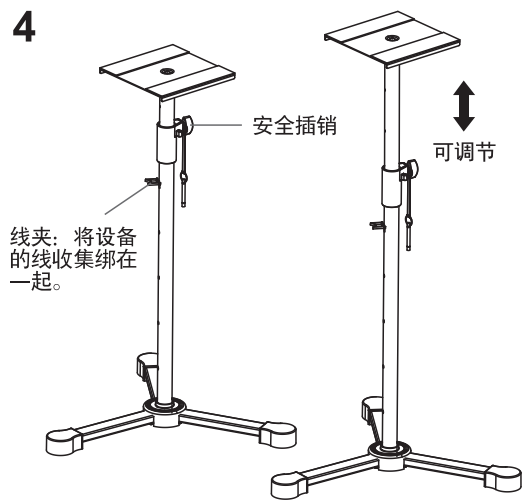
将帽盖(I)推到正确的位置上。

3



用内六角扳手(F)将监听音箱托盘(A)用内六角螺钉/垫片(D)固定在支架顶部。

4



可调节高度: 六档可调节高度。当您需要调节高度的时候, 只需将安全插销拔出, 将可调支撑支架(B)升到您理想的高度, 随后用安全插销锁住。

特征

- * 监听音箱托盘尺寸: 230mm x 230mm
- * 六档可调高度: 890mm, 1010mm, 1130mm, 1250mm, 1370mm, 1490mm
- * 支架脚 (带有橡胶套) 长度: 290mm (插进底座后的长度)
- * 净重: 4643g

版权所有©宁波奥创电子科技有限公司,所有权保留。必要的技术数据和外观更改恕不另行通知。

宁波奥创电子科技有限公司

地址: 浙江省宁波市海曙区秀丰工业区三成路76号

电话: +86 574 87150673 传真: 0574-87157176 邮箱: sales@alctron-audio.com

网址: <http://www.alctron-audio.com> 全国统一服务热线: 4000-160-112