

DK1000 | CLASSIC DYNAMIC MICROPHONE

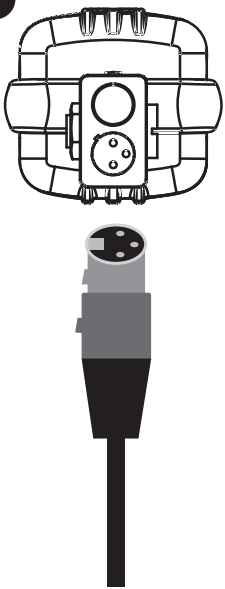
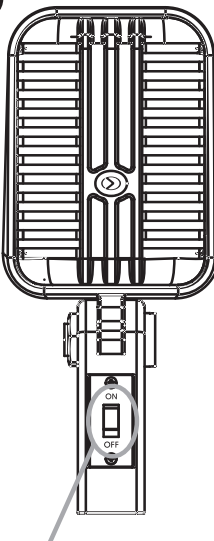
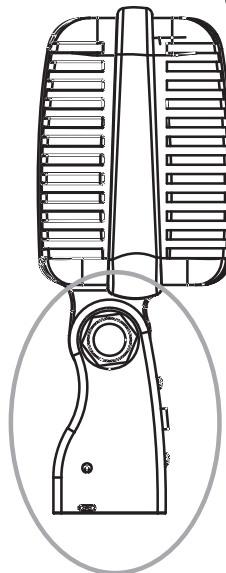
GENERAL DESCRIPTION

The DK1000 Classic Dynamic Microphone is a dynamic microphone with great performance characteristics and a look straight out of the 40s' and 50s'. It adopts quality moving coil dynamic, high sensitivity, wide range frequency and perfect popular pattern. Designed for voice pick-up, it has transparent sound and a presence peak that enhances voice reproduction. It applies to many occasions, such as pub, stage and so on.

FEATURES

- * Classic design professional dynamic microphone;
- * High quality zinc die-casting housing;
- * High-output dynamic cartridge for big, powerful sound;
- * Cardioid picks up pattern to reduce feedback during live applications;
- * Transparent sound and can attract sound far away;
- * Pop-free locking on-off switch.

HOW TO USE THE MICROPHONE

<p>1</p>  <p>1. Connecting an audio cable to the bottom of microphone;</p>	<p>2</p>  <p>SWITCH</p> <p>2. Push the switch to the position of "on", then you can use it.</p>	<p>3</p>  <p>3. The Fixed Base Can Be Adjustable</p>
---	--	---

SAFETY PRECAUTIONS

- * The microphone should never be dropped or subjected to extreme shock. Store only in a padded case to protect it during transport;
- * After use in a high-moisture such as a stage performance, wipe off the microphone with a dry cloth and permit it to air dry. Do not store the unit in a closed space (e.g., a plastic bag) until all moisture has evaporated;
- * Keep the microphone away from extremely high temperatures and humidity. Avoid leaving the microphone in direct sunlight for long periods of time;
- * When using the microphone outdoors, avoid getting it wet;
- * Do not disassemble, modify or attempt to repair the headphone.

SPECIFICATION

- * Type: Dynamic microphone
- * Polar pattern: Cardioid
- * Frequency range: 40Hz-18kHz
- * Sensitivity: $-52\text{dB}\pm 2\text{dB}$ (0dB=1V/Pa 1000Hz)
- * Output impedance: $<300\text{Ohm}\pm 30\%$
- * Equivalent noise level: $\leq 180\text{dB}$

ALCTRON is constantly striving to maintain the highest professional standards. As a result of these efforts, modifications may be made from time to time to existing products without prior notice. Specifications and appearance may differ from those listed or illustrated.

DK1000 动圈话筒

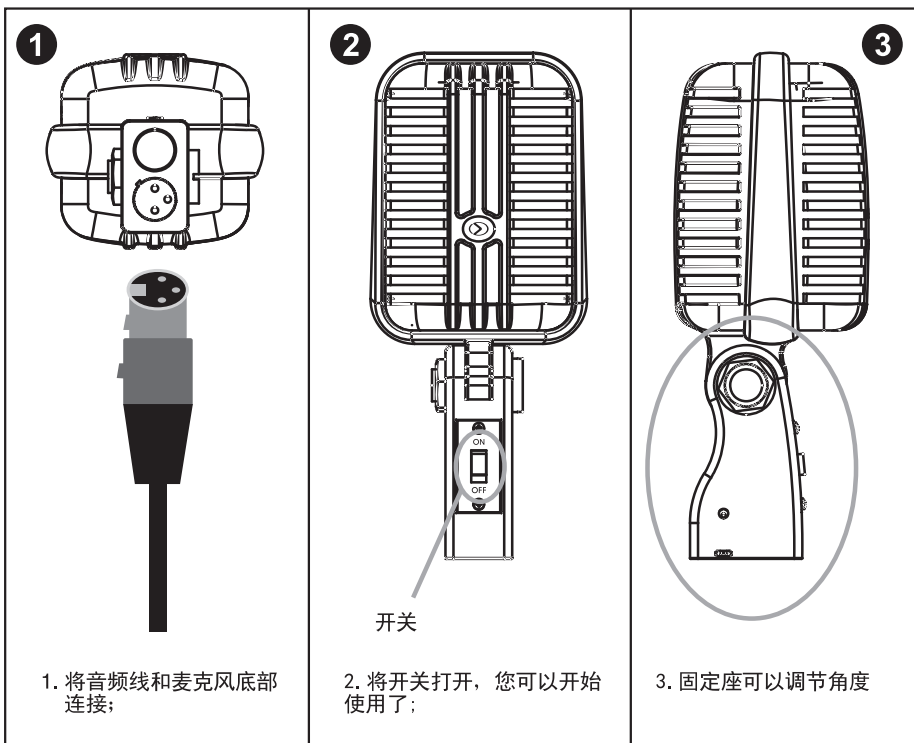
产品介绍

DK1000是一款经典的演唱动圈话筒，拥有独特的古典外形，有点类似40年代或者50年代经典话筒。此话筒采用高品质的动圈音头，具有灵敏度高，频响宽，指向性佳等特点。为人声拾音而设计，声音清晰自然，并能轻松处理高声压。DK1000适用于多种场合，像酒吧，舞台等等。

特点

- * 古典表演演唱动圈话筒；
- * 高质量镀镍壳身；
- * 高输出动态话筒有着强而有力的声音；
- * 心型指向性在现场拾音过程中能有效的减少声音反射；
- * 清晰透明的声音还能吸收远距离的音源；
- * 自带开关。

如何使用麦克风



⚠ 安全事项

- * 千万不要使麦克风遭到重力挤压或者掉落。在运输途中请加防震气垫；
- * 当您在比较潮湿的环境中使用了DK1000，比如舞台，请用干布拭擦并且在空气中晾干。千万不要将麦克风储藏在密封空间（比如塑料袋中），直至水分完全蒸发；
- * 不要将麦克风放在温度极高和潮湿的环境下。避免长时间的阳光直射；
- * 当您在室外使用麦克风时，请注意避免让麦克风潮湿；
- * 请勿拆卸或改造麦克风。

产品参数

- * 类型：动圈麦克风
- * 指向性：心型
- * 频率范围：40Hz-18kHz
- * 灵敏度：-52dB±2dB (0dB=1V/Pa 1000Hz)
- * 输出阻抗：<300Ω±30%
- * 等效噪音：≤180dB

奥创电子有限公司始终尽力确保最高的质量水平。必要的修改将不预先通知予以实行。因此产品的技术数据和外观可能与所述说明或插图有不同之处，敬请谅解。

宁波市鄞州奥创电子有限公司 地址：浙江省宁波市鄞州区秀丰工业区三成路76号 电话：++86 574 88009874
传真：0574-87157176 邮箱：sales@alctron-audio.com 网址：http://www.alctron-audio.com
全国统一服务热线：4000-160-112