

CS35U USB 录音话筒

CS35U USB studio microphone

用户手册

Owner's Manual

目录

English

1. IMPORTANT SAFETY INSTRUCTIONS.....	2
2. GENERAL INTRODUCTION.....	2
3. FEATURES.....	2
4. HOW TO USE MICROPHONE.....	3
5. CONNECTING.....	3
6. PRELIMINARY SET UP WITH WIN10.....	4
7. PRELIMINARY SET UP WITH MAC.....	5
8. RECODING SETTING.....	6
9. SPECIFICATION.....	6

中文

1. 安全须知.....	7
2. 产品介绍.....	7
3. 特征.....	7
4. 如何使用麦克风.....	8
5. 连接.....	8
6. WIN10的初步设置.....	9
7. MAC的初步设置.....	10
8. 录音软件设置.....	11
9. 产品参数.....	11

IMPORTANT SAFETY INSTRUCTIONS

- * Do not store the microphone under direct sunlight, near heating devices or in a hot, humid or dusty place. Do not allow the microphone to get wet;
- * Do not install near any heat sources such as radiators, heat registers, stoves, or other apparatus (including amplifiers) that produce heat;
- * Do not subject the microphone to strong impact;
- * Do not disassemble, modify or attempt to repair the microphone;
- * Clean only with dry cloth;
- * When this product is used for a long time, the microphone may become discolored due to ultraviolet light (especially direct sunlight) or wear.

GENERAL INTRODUCTION

CS35U a new USB microphone, the shell uses copper and NO.304 metal mesh, feeling comfortable. It adopts large 25mm electret capsule which makes the capsule to pick up the sound more distinct and focus on direction. It has a Cardioid pick-up pattern, standard and general-used USB port. It can be used without installing any device software when operating in the WINDOWS and MAC systems. It's plug-and-play, easy using such practical features open up possibilities for anyone who records audio from podcasters, journalists, students and multimedia presentations. The shell uses copper and NO.304 metal mesh, smooth and comfort. It comes with a shock mount which prevent microphone drop off and reduce trill during recording.

FEATURES

- * Space-saving;
- * Innovative design and lasting;
- * No drive required, just plug-and -play;
- * USB condenser microphone.

HOW TO USE MICROPHONE



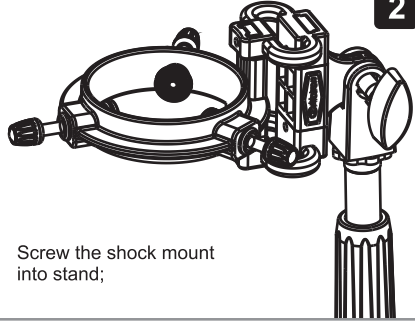
Microphone

1



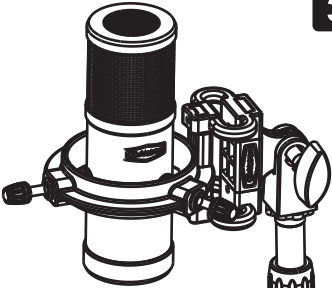
Shock Mount

2



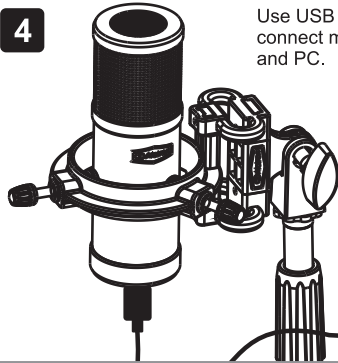
Screw the shock mount into stand;

3



Screw the microphone into shock mount;

4



Use USB to connect microphone and PC.

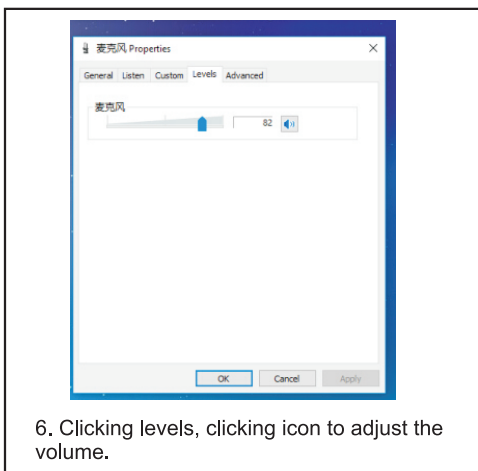
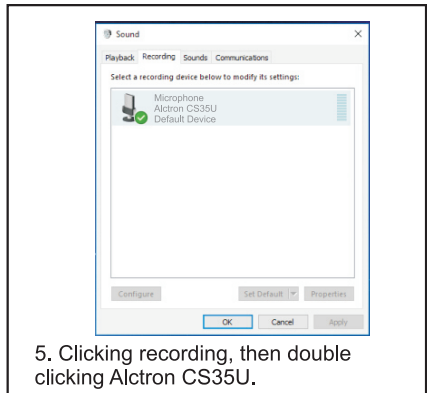
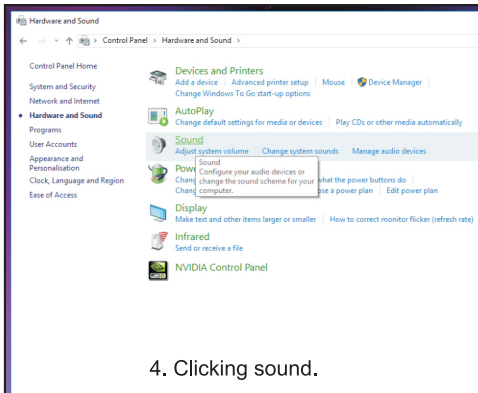
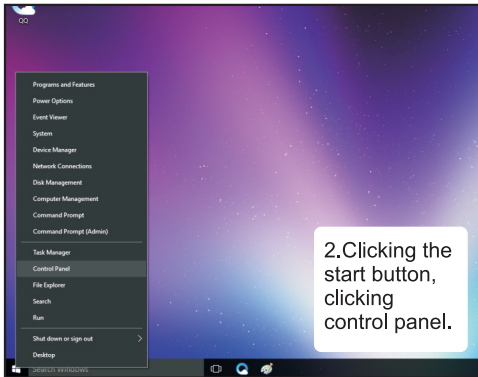
CONNECTING



Connect to a computer

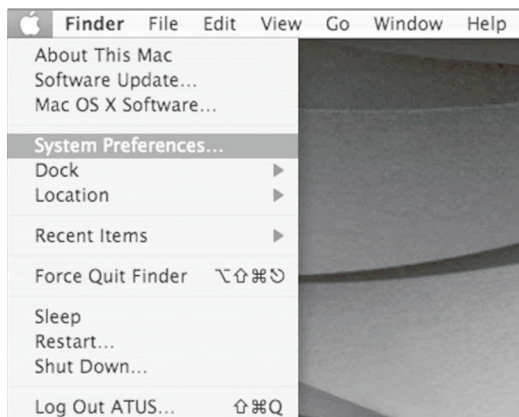
PRELIMINARY SET UP WITH WIN10

1. Plug the free end of the USB cable into the USB port on your computer. Your computer will automatically recognize the USB device and install a driver.

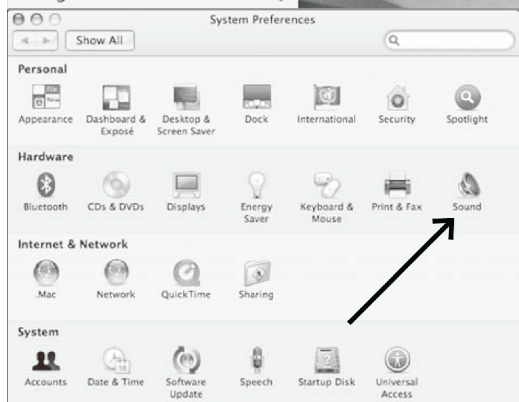


PRELIMINARY SET UP WITH MAC

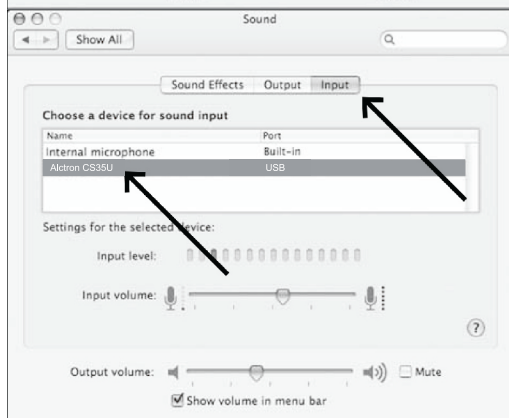
1. Plug the free end of the provided USB cable into the USB port on your computer. Your computer will automatically recognize the USB device and install a driver.



2. To select the Alctron CS35U USB as your audio input, first, open your System Preferences.



3. Next, click Sound to display the Sound preference pane.

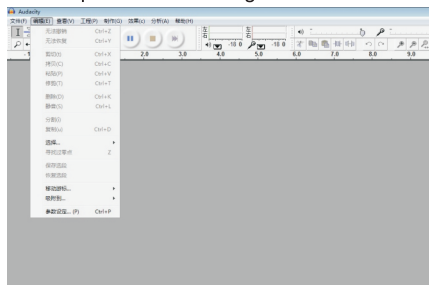


4. Click the Input tab and select the Alctron CS35U USB as the device for sound input.

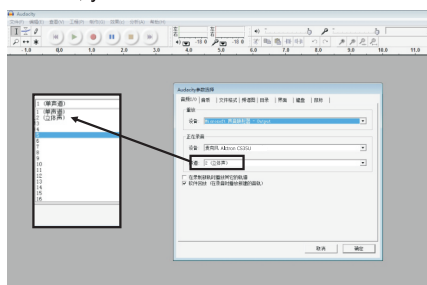
5. Your preferences are now set to use the Alctron CS35U USB on your Mac with recording program of your choice.

RECODING SETTING

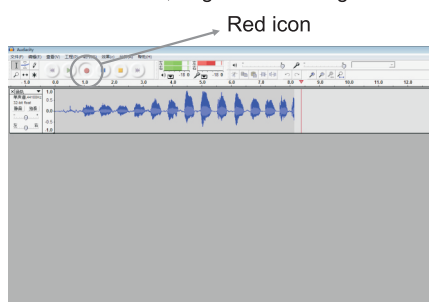
1. After download, click audacity, Choice "edit"-specification setting.



2. Pop up below screen, click the option as shows, you can choice stereo or mono.



3. Click red icon, begin to recording.



4. When starting recording, sound resource should aim to the side which printed "Alctron"



SPECIFICATION

- * Type: USB condenser microphone
- * Capsule: 25mm back eletret diaphragm capsule
- * Polar pattern: Cardioid
- * Frequency response: 20Hz-18KHz
- * Sensitivity: -38dB
- * Max SPL: 136dB
- * S/N ratio: 68dB
- * Connector: USB connector
- * Power: USB power

Copyright © Ningbo Alctron Electronic Technology CO.,LTD. All rights reserved. Specifications and appearance subject to change without notice.

Ningbo Alctron Electronic Technology CO.,LTD.

No.76 SanCheng Road, XiuFeng Industrial Area,GaoQiao Town, NingBo, China.

Tel:+86 574 87150672 Fax:+86 574 87157176 E-mail:info@alctron-audio.com www.alctron-audio.com

安全须知

- * 请勿将麦克风存放在阳光直射下、暖气设备附近或湿热或多尘的地方；
- * 请勿将本产品安装在热源附近，如暖气片，炉子或者其他产生热量的设备（包括功放器）；
- * 请勿使麦克风受到强烈撞击；
- * 请勿拆卸或改造麦克风；
- * 请用干布清洁本产品；
- * 长时间使用本产品时，麦克风部分可能会因紫外线（特别是阳光直射）或磨损而变色。

产品介绍

CS35U是一款USB麦克风，它采用优质黄铜壳身，304不锈钢网头，手感舒适，结构坚固。音头采用25mm大驻极体音头，使得麦克风在收集声音信号时更为真实纯净。麦克风具有心型指向性和标准的USB接口，可用于WINDOWS系列系统和MAC系统，无需其它驱动程序。此款USB麦克风具有即插即用使用简单等一系列简单实用特点，使其适合用于个人录音爱好者，播客，记者学生以及多媒体工作者。麦克风配套的防震架，能有效防止话筒脱落和减少录音过程中产生的颤音。

特征

- * 体积小巧；
- * 造型新颖耐看；
- * 无须其他驱动程序，即插即用；
- * USB电容麦克风。

如何使用麦克风

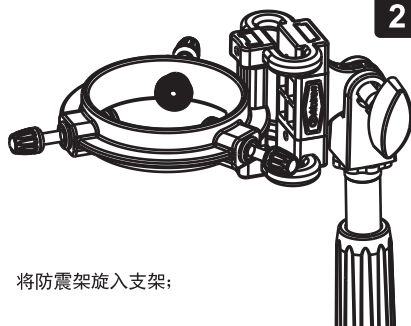


麦克风

1

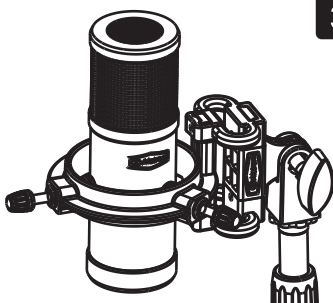


防震架



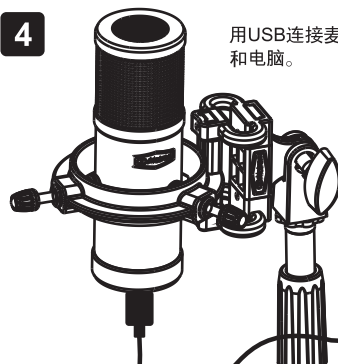
将防震架旋入支架；

2



通过防震架上三个固定柱将麦克风固定于防震架上；

3



用USB连接麦克风和电脑。

4

连接



连接电脑

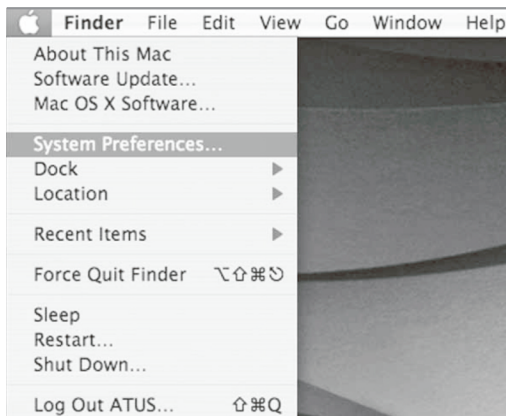
WIN10的初步设置

1.把USB 连线的另一端插入计算机上的USB 端口，您的计算机会自动识别USB 设备并安装驱动程序。



MAC的初步设置

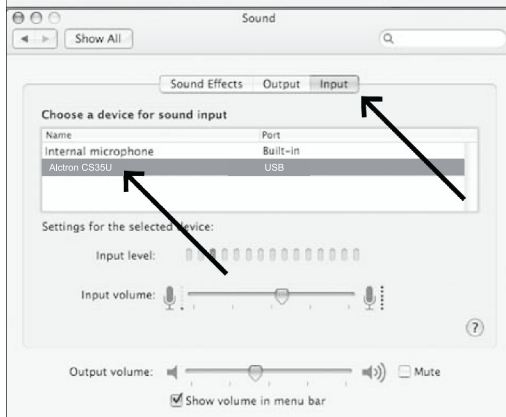
1. 把USB连线的另一端插入计算机上的USB端口，您的计算机会自动识别USB设备并安装驱动程序。



2. 选择“Alctron CS35U USB”，作为音频输入，打开“System Preferences”。



3. 点击“Sound”。



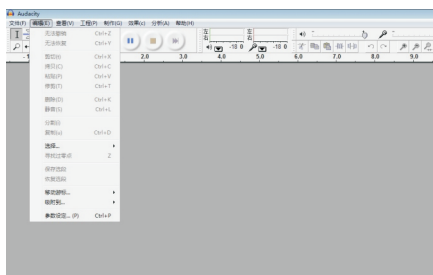
4. 点击“Input”并且选择“Alctron CS35U USB”作为声音输入设备。

5. 接下来您就可以用录音软件进行录音了。

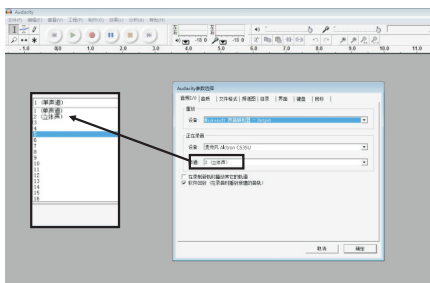
录音软件设置

设置步骤:

1. 下载好软件后, 点击进入软件页面, 选择编辑-参数设定

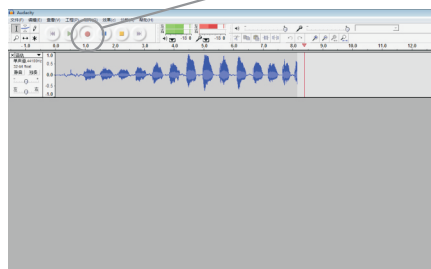


2. 会出现以下窗口, 选择跟画面一样的选项, 声道可以选择立体声或者单声道。



3. 点击红色图标, 开始录音。

红色图标



4. 当您开始录音的时候, 音源要对准印有 "Alctron" 字样的那面。



产品参数

- * 类型: USB电容话筒
- * 音头: 25mm背驻极体音头
- * 指向性: 心型
- * 频率响应: 20Hz-18KHz
- * 灵敏度: -38dB
- * 最大声压级: 136dB
- * 信噪比: 68dB
- * 连接器: USB连接器
- * 电源: USB供电

版权所有©宁波奥创电子科技有限公司, 所有权保留。必要的技术数据和外观更改恕不另行通知。

宁波奥创电子科技有限公司
 电话: +86 574 88009874
 网址: <http://www.alctron-audio.com>

地址: 浙江省宁波市鄞州区秀丰工业区三成路76号
 传真: 0574-87157176 邮箱: sales@alctron-audio.com
 全国统一服务热线: 4000-160-112