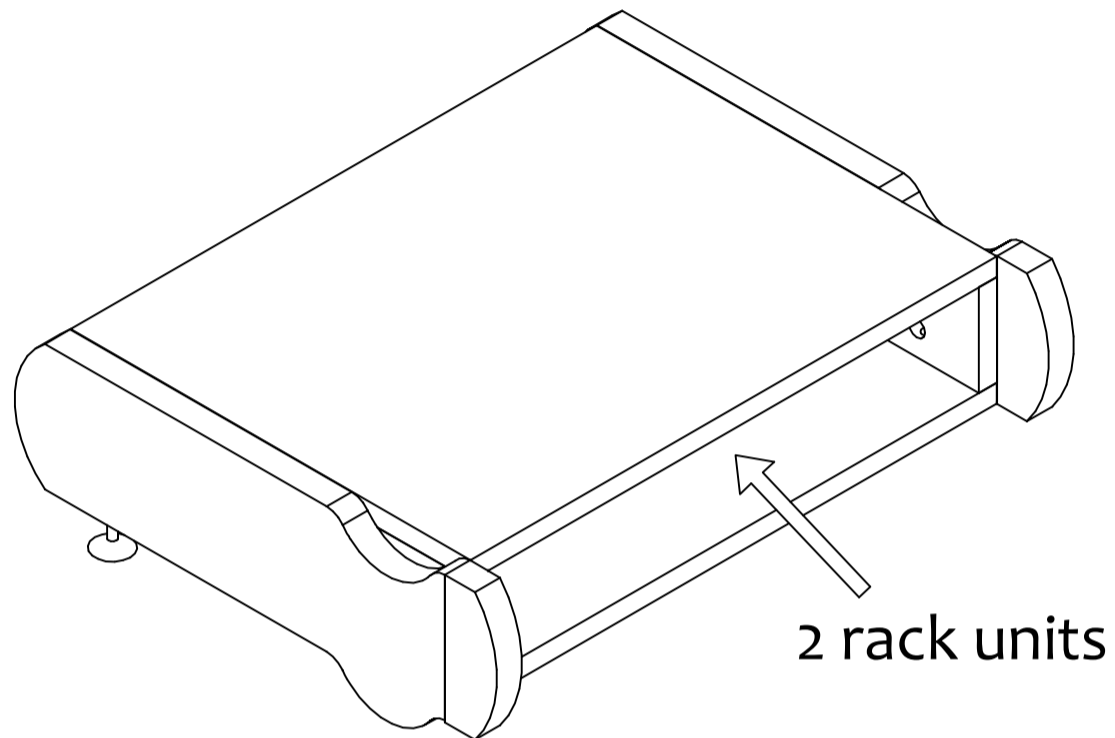
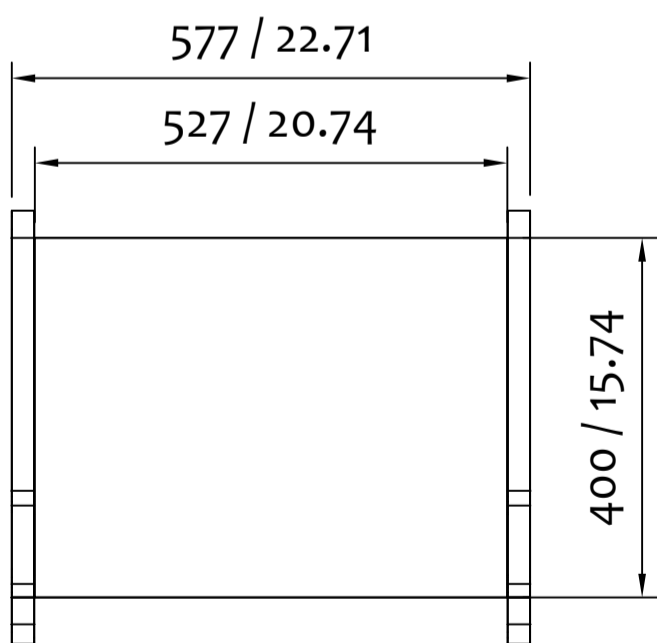


Technical Plan (in mm/inch)

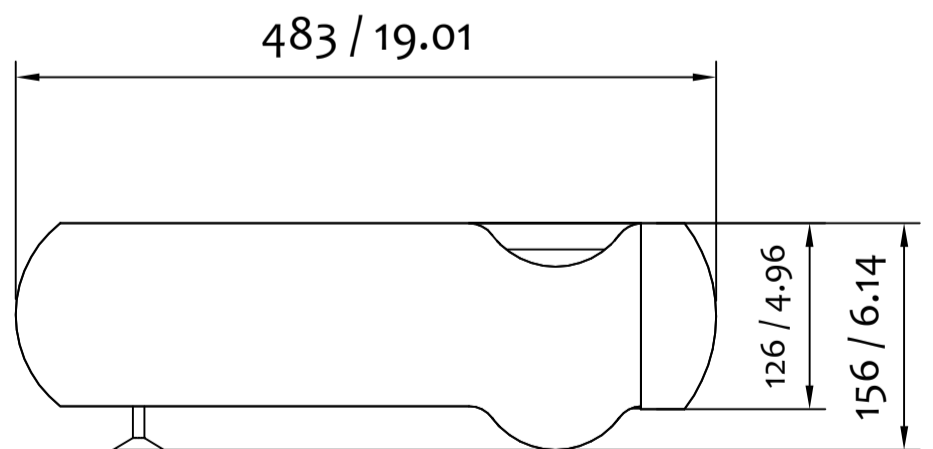
DIAGONAL VIEW



TOP VIEW

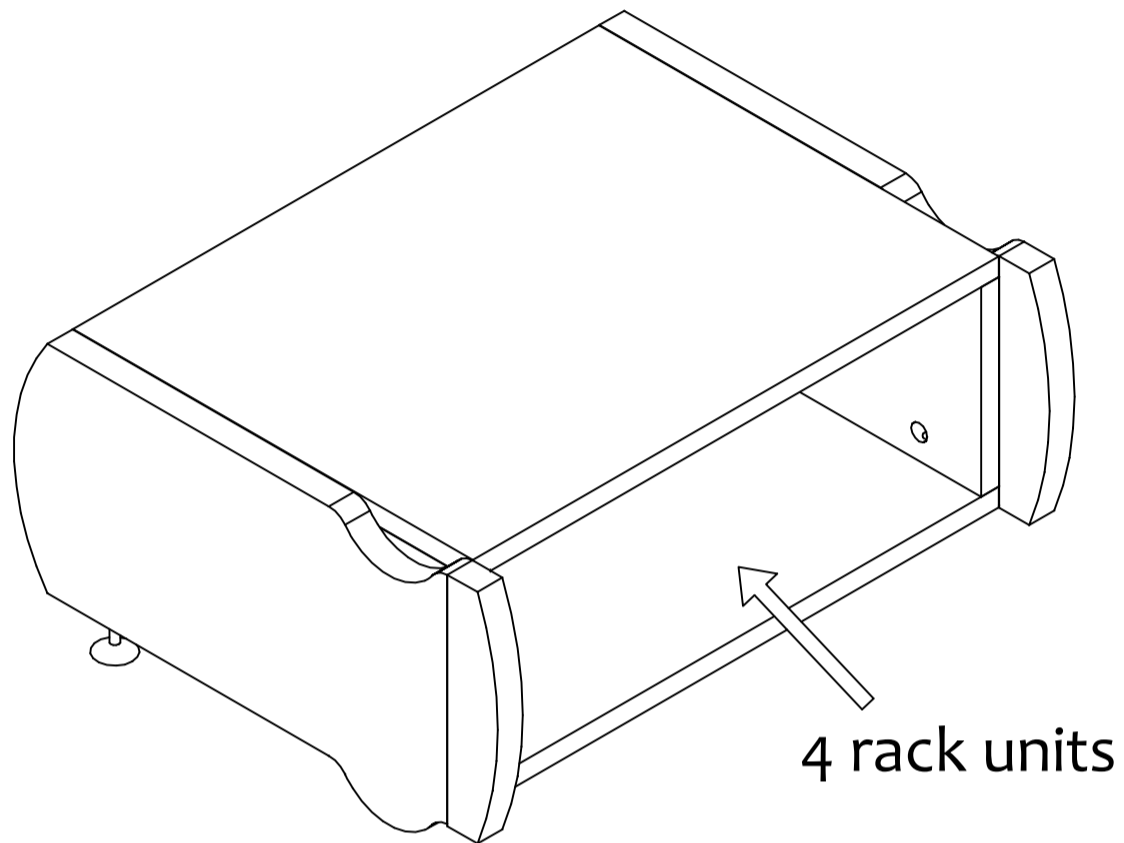


SIDE VIEW

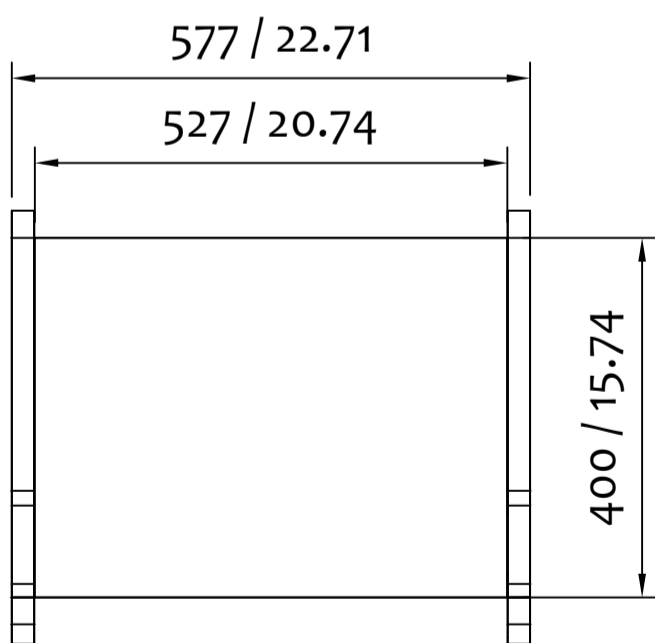


Technical Plan (in mm/inch)

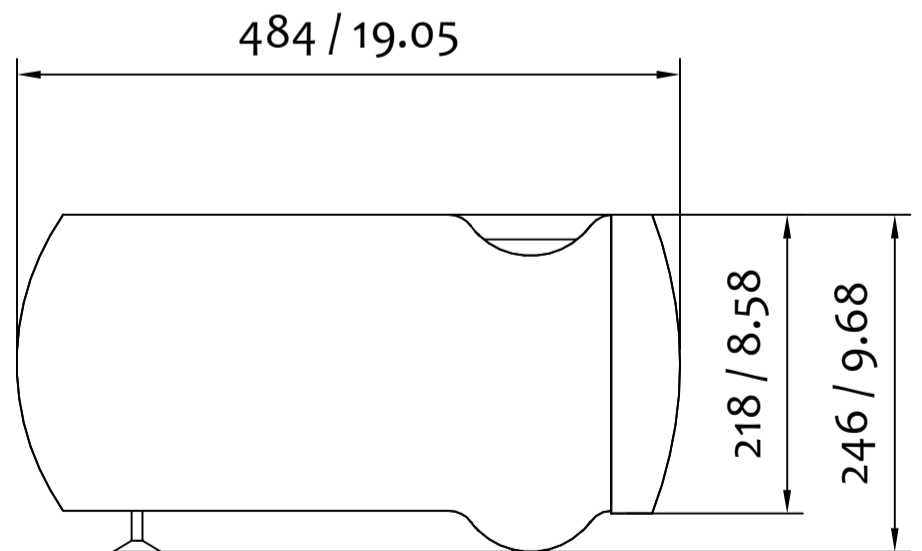
DIAGONAL VIEW



TOP VIEW

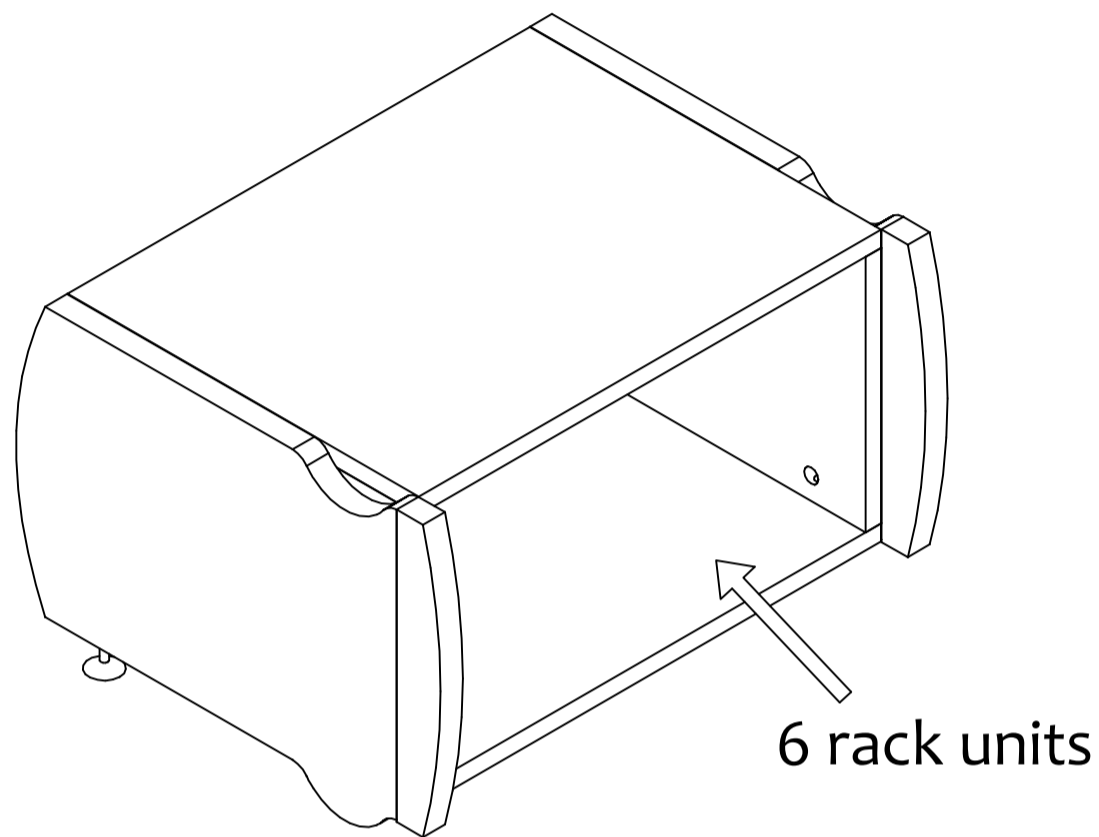


SIDE VIEW

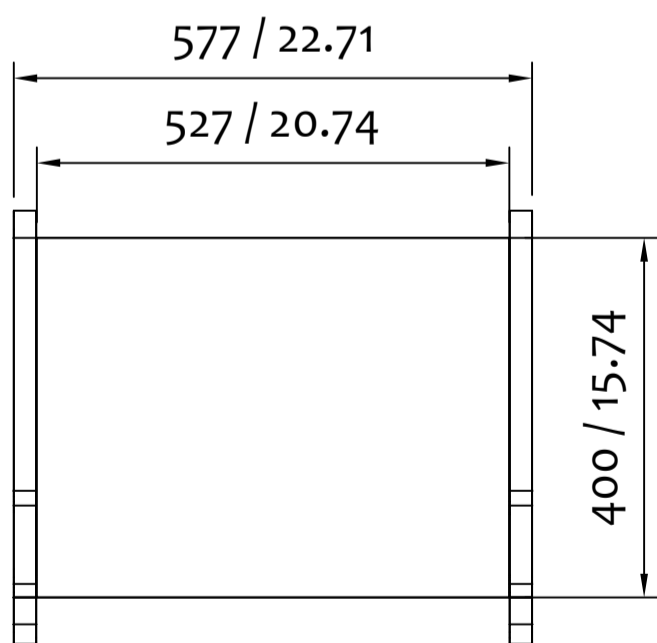


Technical Plan (in mm/inch)

DIAGONAL VIEW



TOP VIEW



SIDE VIEW

