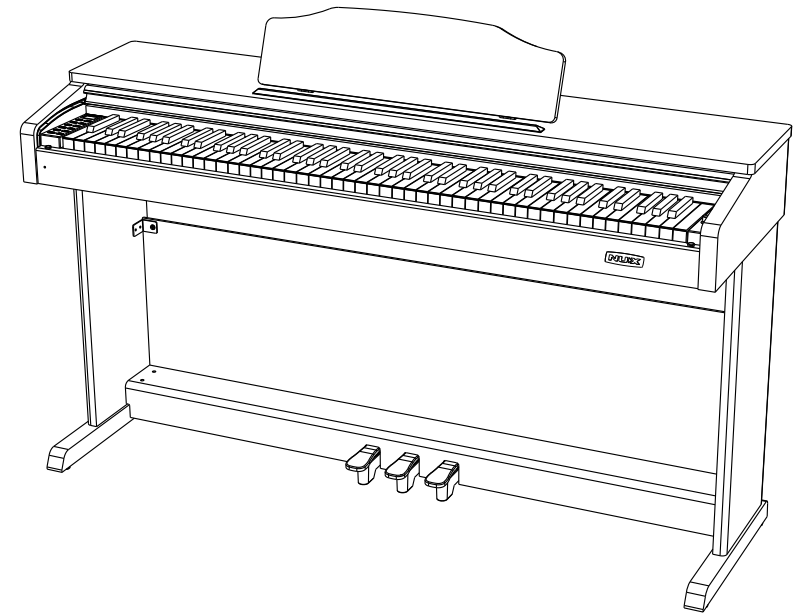


**NUX**

Digital Piano  
**WK-510/WK-520**  
Owner's Manual



**Cherub Technology Co.,Ltd.**

Add: Room507\_Block1, Nanhai E-Cool, No.6 Xinghua Road, Shekou, Nanshan District, Shenzhen, Guangdong, China

E-mail: [Info@cherubtechnology.com](mailto:Info@cherubtechnology.com) Fax: +86 755 2686 9366 Tel: +86 755 2686 9866



**Cherub Technology Co.,Ltd.**

Copyright © 2017 Cherub Technology. All rights reserved

Strictly prohibit reproducing or spreading any part of this publication in any manner without the authorization of Cherub Technology.

## SAFETY GUIDELINE

Before playing your digital piano, please read the following content.  
Please store this instruction book in a safe place, for future reference.

### WARNING

To avoid serious injury or death because of electric shock, short circuit, fire or other dangers, please obey the following warnings. These warnings include but are not limited to the following situations:

### POWER/ELECTRIC CABLE

- \* The rated voltage of this device is fixed. The required voltage is printed on the nameplate of this device.
- \* Check the plug regularly, and clean off any dirt / debris that accumulates on the electrical plug.
- \* This digital piano only matches with the provided power cable and plug.
- \* DO NOT put electric cables near heaters, radiators or any other heating devices. DO NOT overstress electrical cables with extreme bending or abrasion which can cause damage and expose wiring. DO NOT position cables under heavy items such as furniture etc. DO NOT position electrical cables where they can be run over with wheels or in walkways where they can be tripped over.

### DO NOT OPEN / DISMANTLE

- \* DO NOT attempt to open / dismantle inner components or customize the device in any way. This device is not designed for user maintenance other than cleaning of external components. If you experience any problems, please turn off and unplug the device, and then consult a qualified NUX service technician to examine and repair the device.

### HUMIDITY

- \* DO NOT place this device where it will be exposed to water, ( rain, mist, water sprinklers, water entertainment equipment etc. ) and DO NOT place liquid containers of any kind on or where they can be spilled on the device. If any liquids splash or are spilled onto the device, immediately UNPLUG from AC socket immediately. Then ask qualified NUX service staffs to examine and repair the device.
- \* DO NOT plug device with wet hands.

### FIRE AND FLAMABLES

- \* To prevent risk of FIRE, DO NOT place open flames, such as candles, or flame-ables of any kind on or near the instrument.

### UNUSUAL BEHAVIOUR OR WEAR OF DEVICE

- \* Be aware of worn or damaged power cables, sudden unusual loss of sound during playing, and the smell and or visual signs of smoke or fire. In this event, immediately disconnect the device from AC socket. Consult a qualified NUX service technician to examine and repair the device.

### ATTENTION

- \* To prevent bodily injury or damage to device and property, please obey the following SAFETY GUIDELINES BELOW. These instruments include but are not limited to following situations.

### POWER / ELECTRICAL CABLES

- \* When pulling out plug from AC socket, please grab the PLUG instead of power cable which can cause damage to the CABLE !!!

- 
- \* When the instrument is not in use for long periods of time or during a lightning storm, please unplug the device from any AC socket.
  - \* Do not connect the instrument to a power source with multiple connectors, which will lower the sound quality, and overheat your AC socket.

## ASSEMBLY & USE

- \* Please carefully read the attachment explaining the assemble process. Failure to assemble the instrument in the proper order will damage the instrument and potential cause danger to the user.
- \* Please connect the external equipment while the digital piano is off.

## MOUNT POSITION

- \* To avoid deformation of control panel and/or damage to inner components, only operate this device in clean environments which are free of excessive dirt, vibration, and extreme cold or heat ( such as, direct sunlight or near heaters or left inside a vehicle whereas sun and cold can be an issue. )
- \* Please DO NOT use this device near a television, radio, stereo, cell phone or other electronic devices which can cause mutual interference / unwanted noise.
- \* Please DO NOT place this device on unstable or uneven surfaces, which can allow the unit to fall over.
- \* Before moving the device, please remove all electrical cables from the AC socket.
- \* When you set-up this device, only use an AC socket that is in good condition, and is easily accessible. The device should only be connected to an AC socket which provides protective grounding access. If you detect or experience any difficulties, immediately unplug the device from the AC socket. Keep in mind that, even when the power is turned OFF, there is still a small amount of electrical current flowing though the device. If you plan to not use the device for a long period of time, disconnect the device from its AC power source.

- 
- \* This product features a MASTER POWER SWITCH on the RIGHT SIDE of the keyboard. When the POWER BUTTON is PRESSED-IN, the power is switched ON. When the POWER BUTTON is in the UP-POSITION, it is switched OFF.

The illustrations in this hand book are for overview and orientation purposes only, and may differ slightly from the instrument you purchase.

---

## CATALOGUE

Quick Installation Guide	07
Control Panel	09
Before You Start	11
Power On	11
Volume Control	11
Connecting Headset	11
OWNER'S MANUAL	12
Sound Control	12
Demo Songs	12
Metronome	13
Accompaniment control	13
Record Function	16
Play	16
Dual Keyboard	16
Touch	17
Transposing	18
Dual Voice	18
Reverb	19
Chorus	19

---

Bluetooth Function	20
Teaching Function	20
USB MIDI Function	20
Audio Connection	21
Specifications	22
Timbre	23
Rhythm list	38
Demo list	42
Trouble Shooting	44

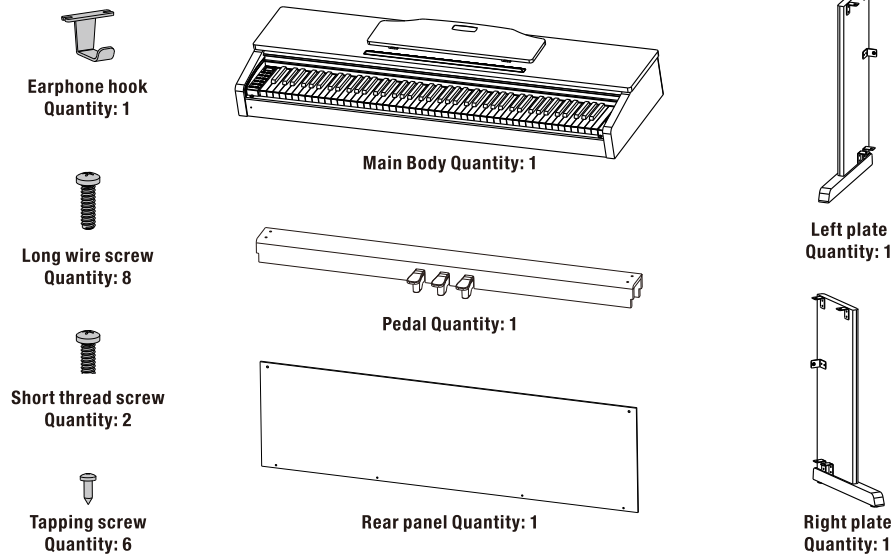
## Quick Installation Guide

Thank you for choosing NUX Digital Piano. Whether you are a student, piano hobbyist or a professional musician, you'll enjoy this digital piano's impressive sound and fashion design. It's perfect for practice, recording or live performance. It also features a MIDI interface, which will satisfy all of your recording or entertainment demands. And it features a grand hammer dynamic keyboard, making you express yourself easily.

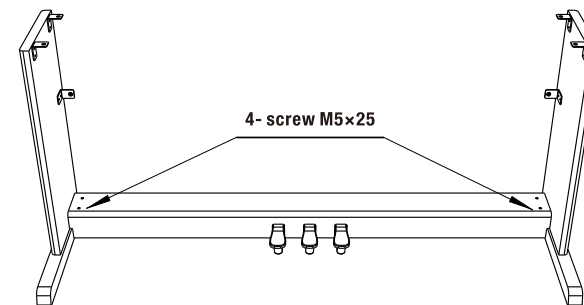
For further information about this new digital piano, we suggest you should read this hand book carefully in order to make full use of its advanced and convenient functions. Meanwhile, we also suggest you should keep this hand book well for reference in the future.

If you like your NUX digital piano, please recommend NUX to your friends.

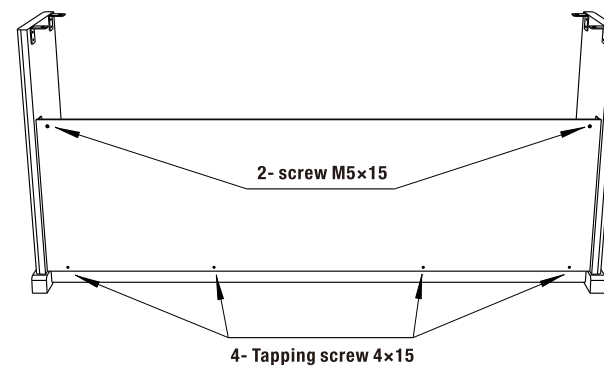
### ASSEMBLY COMPONENT LIST



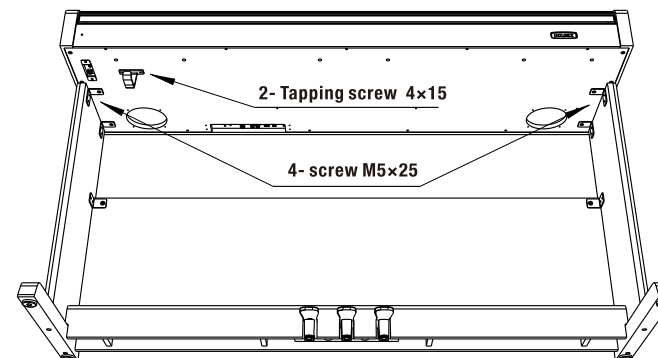
1. Mount LEFT side board, RIGHT side-board and pedal.



2. Install REAR panel.

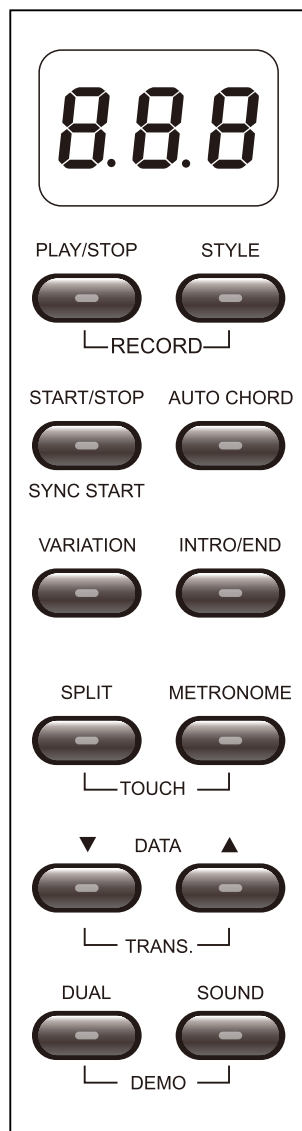


3. Mount main body and Earphone hook.

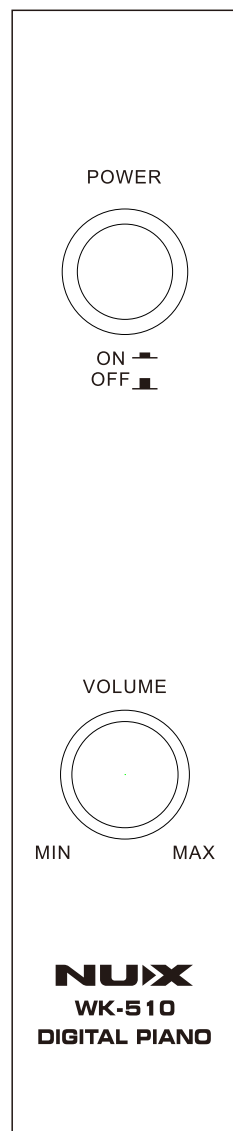


## Control Panel

### Left Control Panel



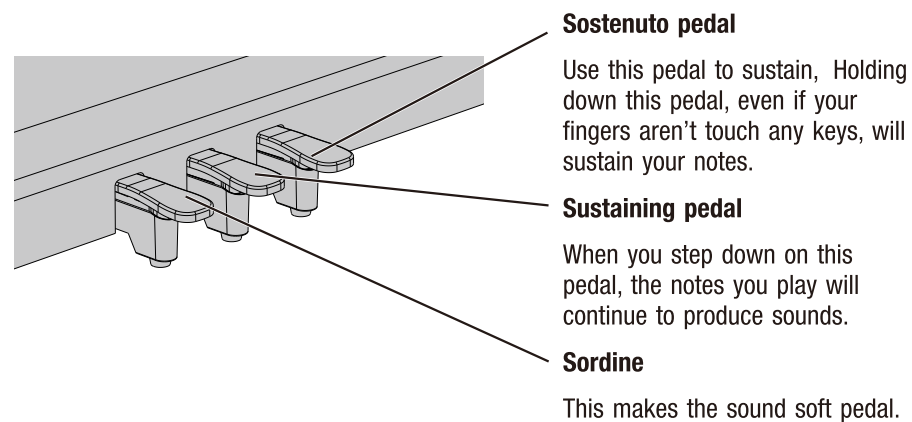
### Right Control Panel



## Rear Panel Interface



- **Power interface:** Connect the power adapter (DC12V, 2000mA, positive outside and negative inside)
- **USB MIDI Interface:** Connect the digital piano to a computer, use as MIDI keyboard.
- **Audio input interface:** LEFT and RIGHT channel input, Connect other instruments to the digital piano internal sound amplification system.
- **Audio output interface:** LEFT and RIGHT channel output, Connect digital piano to external sound amplification system.
- **Headphone jack:** RIGHT-SIDE / BELOW the keyboard, Standard 6.35mm and 3.5mm stereo headphone interface, Connecting the mouth can silence the speaker system inside the digital piano.
- **Pedal interface:** the pedal connection line is inserted into the mouth, and the pedal can.



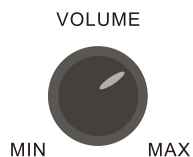
## Power

Connect the AC plug to a proper socket and then press the [ **POWER** ] button on the right side of the keyboard to turn on the power. The default sound is grand piano.



## Volume Control

Turn the [ **VOLUME** ] KNOB on the control panel to set the volume. Turn the KNOB clockwise to raise volume. Turn the KNOB anti-clockwise to reduce volume.

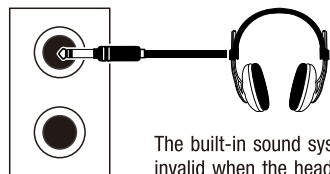


**Warning:** Too loud sound, especially when you wear the headphone, will do damage to hearing.

## Connecting Headset

In addition to the built-in speaker system, you can also connect two standard stereo headphones (6.35mm and 3.5mm)

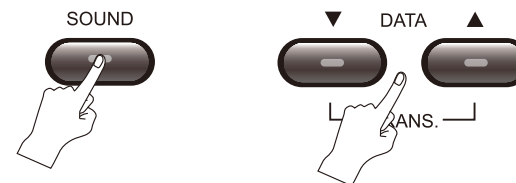
Headphone jack is located on the LEFT SIDE under the keyboard. The built-in speaker system is disabled when using the headphone jack. Adjust the headphone volume by turning the [Master Volume] knob.



The built-in sound system is invalid when the headphone is connected to this jack.

## Sound Control

1. PRESS the [ **SOUND** ] button light, enter the sound selection state.
2. PRESS the [ ▲ ] and [ ▼ ] button ( within 5 seconds ) to select any tone.
3. The default tone is grand piano tone.



## Demo Songs

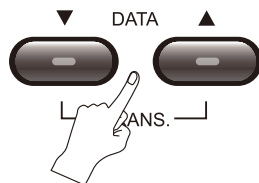
1. Press [ **DUAL** ] and [ **SOUND** ] two buttons together to start to play.
2. During play status, Press [ ▲ ] or [ ▼ ] button to select corresponding song.
3. Press [ **DUAL** ] and [ **SOUND** ] two buttons together again to stop playing.



## Metronome

**Regulating speed:** 1. PRESS [ **METRONOME** ] button on control panel to start metronome function and the indicator light will flash. LED will display the beat velocity. The default velocity is 120 beats/min.

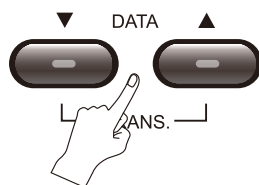
2. Press [ ▲ ] or [ ▼ ] button to adjust beat velocity from 20 to 280.



**Select beats:** 1. Press / hold [ **METRONOME** ] button. Enter the beat type selection.

2. This digital piano has six different beat selections, press /hold [ **METRONOME** ] button and the indicator light turns on. Press [ ▲ ] or [ ▼ ] button to adjust beat.

3. Press [ **METRONOME** ] button again to exit metronome setting.

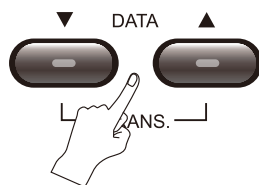


## Accompaniment Control

**Choose rhythm:** 1. Press [ **STYLE** ] button, enter the state of rhythm regulation.

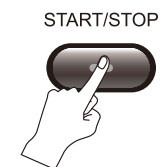
2. Press [ ▲ ] or [ ▼ ] button to change the rhythm.

3. Press other buttons to exit rhythm adjustment state.



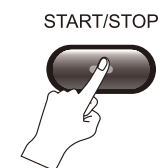
**Accompaniment start:** 1. Press [ **START/STOP** ] button , the button light will flash. Accompaniment auto-start.

2. Press [ **START/STOP** ] button again, the accompaniment stopped.

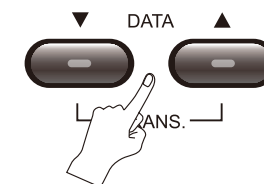


1. Press [ **START/STOP** ] button , the accompaniment will start immediately.

2. Press [ **START/STOP** ] button again , the accompaniment will stop.



1. Press [ **METRONOME** ] button, the button lights are lit.



Adjusting speed

**Automatic Chord:** 1. Press [ **AUTO CHORD** ] button , the button lights are lit. Play the left half of the keyboard. Single finger or multi finger will be identified. At the same time, the corresponding chords are automatically matched, enter the synchronous start state.

2. Press [ **AUTO CHORD** ] button again , the automatic chord will stop.





**Prelude/coda:** 1. Press [ **INTRO/END** ] button to start prelude and enter the main musical a status automatically.

2. When the automatic accompaniment is playing, press the [ **INTRO/END** ] button and the automatic accompaniment will stop automatically after playing a piece of coda.



**Variation:** 1. After entering the main play, press the [ **VARIATION** ] button and start to play the variations.

2. Press the [ **VARIATION** ] button again to play the main.

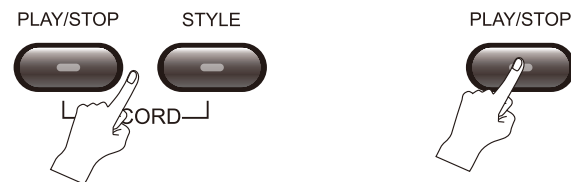


**Insert:** 1. When the automatic accompaniment is playing, press the [ **INTRO/END** ] button and the [ **STYLE** ] button, the accompaniment will be automatically inserted into a rhythm to return to the normal rhythm.



## Record Function

1. Press [ **PLAY/STOP** ] and [ **STYLE** ] keys simultaneously.
2. The button light indicates the beginning of the recording.
3. Simultaneously open the beat and metronome automatically, if not need to be manually closed.
4. Press [ **PLAY/STOP** ] button and the recording ends.



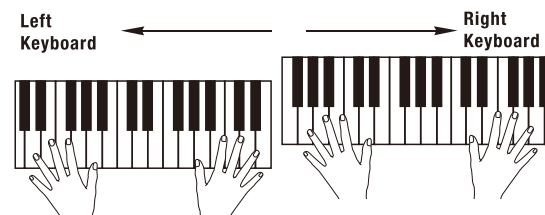
## Play

1. After the recording, press the [ **PLAY/STOP** ] button to begin playing the recording.
2. Press the [ **PLAY/STOP** ] button to end the playback.



## Dual Keyboard

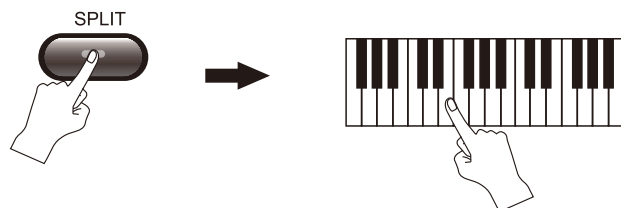
This function will divide the keyboard into 2 individual playing zones.



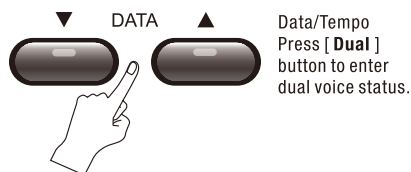
Press [ **SPLIT** ] button, (button lights), to enter dual keyboard mode.

The default keyboard separation point is f4 (no. 45).

- Split point:** 1. Press [ **SPLIT** ] button, the button lamp flicker, enter the setting state.
2. Press any key to set the separation point ,the led screen displays the serial number of the key, after 5 seconds, automatically confirm the new keyboard separation point.

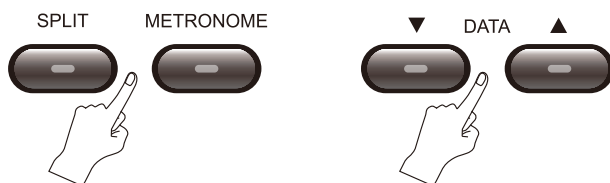


- Set the tone:** 1. The tone of the left keyboard area must be set before entering the dual keyboard state.
2. In the right keyboard area, the tone of the area is in the double keyboard state, press the [ **SOUND** ] button.



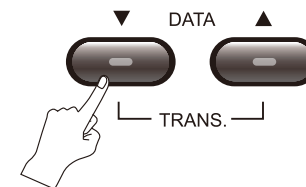
## Touch

1. Press the [ **SPLIT** ] and the [ **METRONOME** ] buttons to set the strength, the default standard on startup.
2. Press [ ▲ ] or [ ▼ ] button, select 4 kinds of dynamics: close / light / standard /heavy. Led display screen shows 00/01/02/03, respectively.
3. Automatically confirm the selection after 5 seconds.



## Transposing

1. Simultaneously press both [ ▲ ] and [ ▼ ] buttons, to enter the shift status. Led display will display "00".
  2. Press [ ▲ ] or [ ▼ ] button, to select the shift range. Led display (-12~ 12).
  3. Press [ ▲ ] and [ ▼ ] button to cancel the shift.
- Buttons will light up respective to which direction you are transposing, up or down.



## Dual Voice

**Choose sound:** Press [ **SOUND** ] button, and then press [ ▲ ] or [ ▼ ] button to switch the second tone. The 1st tone needs to be set before entering the dual tone mode.

**Tone balance:** Press [ **SOUND** ] button, and then press [ ▲ ] or [ ▼ ] button to adjust the balance of the 2nd tone.

The led screen shows the percentage of the 2nd tone color.



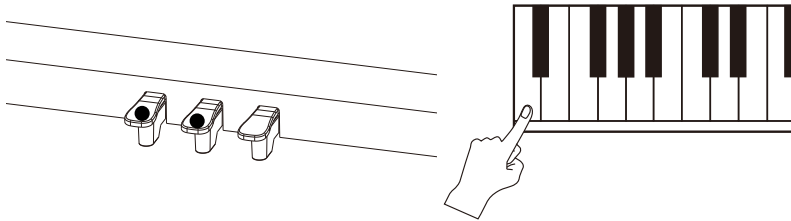
## Reverb

1. At the same time, step on the left and middle two pedals, and press the 2nd white key to unlock the reverberation function.

**LED display "r.o n".**

2. At the same time, step on the left and middle two pedals and close the reverberation function by pressing the 1st white key.

**LED display "r.o f".**



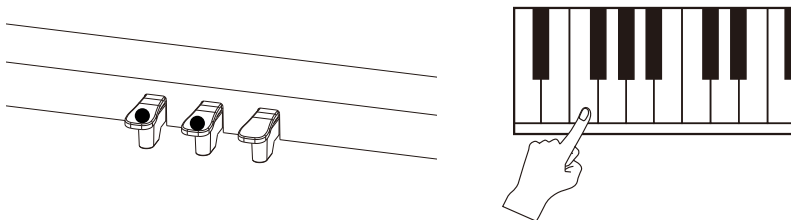
## Chorus

1. At the same time, step on the left and middle two pedals, and start the chorus function by pressing the fourth white key.

**The LED display is "c.o n".**

2. At the same time, step on the left and middle two pedals and close the chorus function by pressing on the 3rd white key.

**LED display "c.o f".**



## Bluetooth Function (Only limited to Hong Kong and Macao area)

To modify the "sound of the piano" using the free app, go to the iPad "App Store". Download the "weiyin smart piano" app, open it, and click the Bluetooth button search device, connect "nuxpiano \*\*\*\*\*" piano (piano must be in the boot state).

## Teaching Function

1. Download and install the "sound of the piano" app;

### Android platform

Use the QR code below (WeChat scan), to download the installation.



### iOS platform

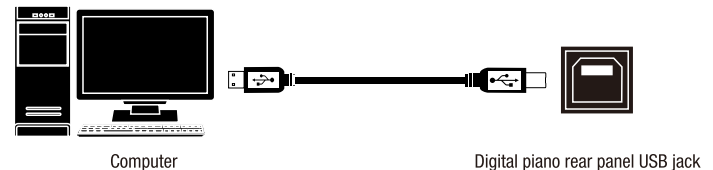
Using the QR code below (WeChat scan), and go to the App Store for installation.



2. Open the "music library" app and connect the digital piano via Bluetooth. Implement teaching function, online video tutorial (rich in music spectrum resources) and listen to learn quickly.
3. The WK-520 has a teaching lamp function, which is controlled by the "music hall" app.

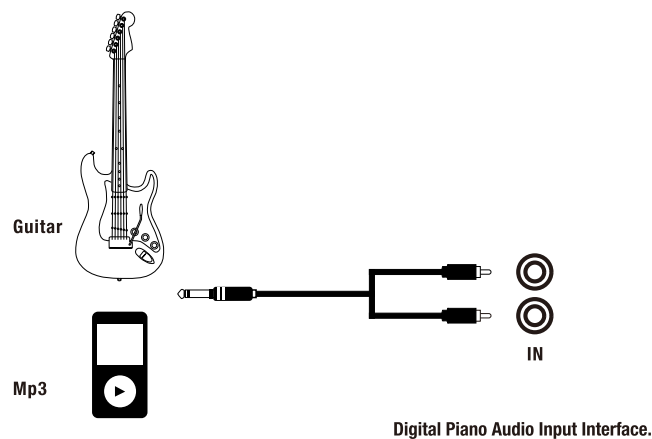
## USB MIDI Function

Use the USB MIDI interface of the digital piano rear panel to connect to the computer, which can directly make the MIDI function.

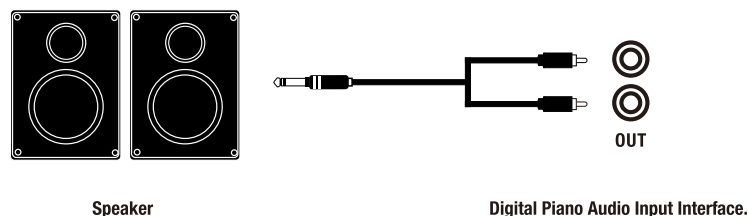


## Audio Connection

**Audio Input:** Connect the musical instrument to the built-in speaker system, regarding the digital piano as speaker.



**Audio Output:** Regarding this digital piano and sound source, connect it to the external speaker system.



## Specifications

- **Exterior:** Standard Upright
- **Surface:** Dark Wooden PVC
- **Keyboard:** 88 keys scaled hammer action keyboard with 4 dynamic curves.
- **Sound Source:** European Top DSP chip; 5 dynamic levels of stereo piano sampling; Harmonic Series Simulation and Sympathetic Resonance Technology.
- **Max Polyphony:** 64 x 2 (Stereo)
- **Sound:** WK-510(357) WK-520(300)
- **Demo Song:** 52 Demo Songs
- **Dynamic Curve:** 4 kinds of standard piano dynamic curves ( soft, standard, hard, Dynamic on/off )
- **Rhythm Style:** 100
- **Transposition:** 25 semitones (-12~+12)
- **Octave Shift:** 3 octaves (-8,0,+8)
- **Metronome:** Velocity 20-280bpm, beat1-6.
- **Function Option:** Recording Function, Reverb, Chorus, Dual Voice, Dual Keyboard, Teaching Function.
- **Pedal Function:** Soft Pedal ( left ), Damper Pedal ( Middle ), Sustain Pedal (Right)
- **Jack:** USB MIDI Jack, Power Jack, Pedal Jack, Headphone Jack\*2, Stereo Line Input Jack, Stereo Line Output Jack.
- **Power:** 40W DC12V 2000mA
- **Accessories:** AC Adapter, Owner's Manual

\* Specifications may change without notice.

## Timbre

Number	Instrument
<b>Piano</b>	
00	Acoustic Grand Piano
01	Bright Acoustic Piano
02	Electric Grand Piano
03	Honky-tonk Piano
04	Rhodes Piano
05	Chorused Piano
06	Harpsichord
07	Clavichord
<b>Percussion</b>	
08	Celesta
09	Glockenspiel
10	Music box
11	Vibraphone
12	Marimba
13	Xylophone
14	Tubular Bells
15	Dulcimer
<b>Organ</b>	
16	Hammond Organ
17	Percussive Organ
18	Rock Organ
19	Church Organ
20	Reed Organ
21	Accordian
22	Harmonica
23	Tango Accordian

Number	Instrument
<b>Guitar</b>	
24	Acoustic Guitar (nylon)
25	Acoustic Guitar (steel)
26	Electric Guitar (jazz)
27	Electric Guitar (clean)
28	Electric Guitar (muted)
29	Overdriven Guitar
30	Distortion Guitar
31	Guitar Harmonics
<b>Bass</b>	
32	Acoustic Bas
33	Electric Bass (finger)
34	Electric Bass (pick)
35	Fretless Bass
36	Slap Bass 1
37	Slap Bass 2
38	Synth Bass 1
39	Synth Bass 2
<b>String</b>	
40	Violin
41	Viola
42	Cello
43	Contrabass
44	Tremolo Strings
45	Pizzicato Strings
46	Orchestral Harp
47	Timpani

Number	Instrument
<b>Ensemble</b>	
48	String Ensemble 1
49	String Ensemble 2
50	Synth Strings 1
51	Synth Strings 2
52	Choir Aahs
53	Voice Oohs
54	Synth Voice
55	Orchestra Hit
<b>Copper pipe</b>	
56	Trumpet
57	Trombone
58	Tuba
59	Muted Trumpet
60	French Horn
61	Brass Section
62	Synth Brass 1
63	Synth Brass 2
<b>Reed</b>	
64	Soprano Sax
65	Alto Sax
66	Tenor Sax
67	Baritone Sax
68	Oboe
69	English Horn
70	Bassoon
71	Clarinet

Number	Instrument
<b>Band</b>	
72	Piccolo
73	Flute
74	Recorder
75	Pan Flute
76	Bottle Blow
77	Shakuhachi
78	Whistle
79	Ocarina
<b>Electronic</b>	
80	Lead 1 (square)
81	Lead 2 (sawtooth)
82	Lead 3 (calliope lead)
83	Lead 4 (chiff lead)
84	Lead 5 (charang)
85	Lead 6 (voice)
86	Lead 7 (fifths)
87	Lead 8 (bass+lead)
<b>Synthetic sound</b>	
88	Pad 1 (new age)
89	Pad 2 (warm)
90	Pad 3 (polysynth)
91	Pad 4 (choir)
92	Pad 5 (bowed)
93	Pad 6 (metallic)
94	Pad 7 (halo)
95	Pad 8 (sweep)

Number	Instrument
<b>FX</b>	
96	FX 1 (rain)
97	FX 2 (soundtrack)
98	FX 3 (crystal)
99	FX 4 (atmosphere)
100	FX 5 (brightness)
101	FX 6 (goblins)
102	FX 7 (echoes)
103	FX 8 (sci-fi)
<b>Nation</b>	
104	Sitar
105	Banjo
106	Shamisen
107	Koto
108	Kalimba
109	Bagpipe
110	Fiddle
111	Shanai
<b>Hit</b>	
112	Tinkle Bell
113	Agogo
114	Steel Drums
115	Woodblock
116	Taiko Drum
117	Melodic Tom
118	Synth Drum
119	Reverse Cymbal

Number	Instrument
<b>Sound</b>	
120	Guitar Fret Noise
121	Breath Noise
122	Seashore
123	Bird Tweet
124	Telephone Ring
125	Helicopter
126	Applause
127	Gunshot
<b>Piano 2</b>	
128	Piano w
129	Piano d
130	Upright Piano 2
131	Upright Piano 3
132	HonkyTonk w
133	Rhodes2
134	Detuned EP1
135	E.Piano 1v
136	60s E.Piano
137	E.Piano 2
138	Detuned EP2
139	E.Piano 2v
140	Harpsichord 2
141	Coupled Hps
142	Harpsi.o
143	Clavichord 2

Number	Instrument
<b>Percussion 2</b>	
144	Celesta 2
145	Glockenspiel2
146	Music Box 2
147	Vibraphone 2
148	Marimba 2
149	Xylophone 2
150	Tubular-bell 2
151	Tubular-bell 3
152	Santur
<b>Organ 2</b>	
153	Organ 101
154	Detuned Or1
155	60's Organ
156	Organ 1
157	Organ 201
158	Detuned Or2
159	Organ 2
160	Rock Organ 2
161	Church Organ 2
162	Church Organ 3
163	Reed Organ 2
164	Accordion 2
165	Accordion 3
166	Harmonica 2
167	Bandoneon

Number	Instrument
<b>Guitar 2</b>	
168	Nylon Gt 2
169	Nylon Gt 3
170	Nylon Gt 4
171	Nylon Gt 5
172	Nylon Gt 6
173	Ukulele
174	Nylon Gt 7
175	Nylon Gt 8
176	Steel Gt 2
177	Steel Gt 3
178	12-str.Gt
179	Mandolin
180	Mandolin 2
181	Mellow Gt
182	Hawaiian Gt
183	Clean Gt 2
184	Clean Gt 3
185	Clean Gt 4
186	Clean Gt 5
187	Chorus Gt
188	Muted Gt 2
189	Muted Gt 3
190	Muted Gt 4
191	Funk Gt 1
192	Funk Gt 2
193	Dist. Gt 2



Number	Instrument
<b>Guitar 2</b>	
194	Dist. Gt 3
195	Dist. Gt 4
196	Feedback Gt
197	Gt.Feedback
<b>Bass&amp;Elc</b>	
198	Synth 1
199	Synth 2
200	Synth 3
201	Synth 4
202	Synth 5
203	Synth 6
204	Synth 7
205	Synth 8
206	Synth 9
207	Synth 10
208	Synth 11
209	Synth 12
210	Synth 13
211	Synth 14
212	Synth 15
213	Synth 16
214	Synth 17
215	Synth 18
216	Synth 19
217	Synth 20
218	Synth 21

Number	Instrument
<b>Bass&amp;Elc</b>	
219	Synth 22
220	Synth 23
221	Synth 24
222	Synth 25
223	Synth 26
224	Synth 27
225	Synth 28
<b>String 2</b>	
226	Violin 2
227	Slow Violin
228	Viola 2
229	Cello 2
230	Contrabass 2
231	Harp 2
232	Strings
<b>Ensemble 2</b>	
233	SynStrings
234	JUNO Strings
235	Choir Aahs2
236	Voice doo 2
237	Synth Voice2

Number	Instrument
<b>Copper pipe 2</b>	
238	Trumpet 2
239	Trombone 2
240	Trombone 3
241	Tuba 2
242	MuteTrumpet 2
243	French Horn 2
244	French Horn 3
245	Brass 2
246	Synth Brass 3
247	Analog Brs1
248	Synth Brass 4
249	Analog Brs2
<b>Reed 2</b>	
250	Soprano Sax 2
251	Soprano Sax 3
252	Alto Sax 2
253	Tenor Sax 2
254	Tenor Sax 3
255	Tenor Sax 4
256	BaritoneSax 2
257	Oboe 2
258	EnglishHorn 2
259	Bassoon 2
260	Clarinet 2

Number	Instrument
<b>Band 2</b>	
261	Piccolo 2
262	Flute 2
263	Recorder 2
264	Pan Flute 2
265	Bottle Blow 2
266	Shakuhachi 2
<b>Lead</b>	
267	Square 2
268	Sine Wave
269	Saw 2
270	Doctor Solo
271	Vox Lead
<b>Synthetic sound 2</b>	
272	Space Voice
273	Syn Mallet
274	Brightness 2
275	Goblin 2
276	Echo Bell
277	Echo Pan
<b>Nation 2</b>	
278	Sitar 2
<b>Hit 2</b>	
279	Castanets
280	Concert BD
281	Melodic Tom 2
282	808 Tom
283	Electric Percussion

Number	Instrument
<b>FX 2</b>	
284	Gt.CutNoise
285	String Slap
286	Fl.KeyClick
287	Rain
288	Thunder
289	Wind
290	Stream
291	Bubble
292	Dog
293	HorseGallop
294	Bird 2
295	Telephone 2
296	Creaking
297	Door
298	Scratch
299	Wind Chime
300	Car-Engine
301	Car-Stop
302	Car-Pass
303	Car-Crash
304	Siren
305	Train
306	Jetplane
307	Starship
308	Burst Noise
309	Laughing

Number	Instrument
<b>Fx2</b>	
310	Screaming
311	Punch
312	Heart Beat
313	Footsteps
314	Machine Gun
315	Laser gun
316	Explosion
<b>Percussion 2</b>	
317	Luo 1
318	Luo 2
319	Luo 3
320	Luo 4
321	Pai Gu
322	Qin
323	Bian Zhong
324	Yang Qin
<b>Nation 3</b>	
325	Liu Qin
326	Pi Pa
327	Zhong Ruan
328	Da Ruan
329	Yue Qin
330	San Xian
331	Gu Zheng
332	Gu Qin

Number	Instrument
<b>Nation 4</b>	
333	Shen 1
334	Shen 2
335	Na Zi 1
336	Na Zi 2
337	Bi Li
338	Guan Zi 1
339	Guan Zi 2
340	Ba Wu
<b>Nation 5</b>	
341	Di Zi 1
342	Di Zi 2
343	Hu Lu Si
344	Pai Xiao
345	South Xiao
346	Xiao
347	Kou Di
348	Xun
<b>Nation 6</b>	
349	Gao Hu
350	Er Hu
351	Zhong Hu
352	Ma Tou Qin
353	Ban Hu
354	Jing Hu
355	Hu Ensemble 1
356	Hu Ensemble 2

## Rhythm list

Number	Instrument
<b>URFN</b>	
00	8 BEAT 1
01	8 BEAT 2
02	8 BEAT 3
03	8 BEAT 4
04	8 BEAT POP
05	8 BEAT ROCK
06	ROCK 1
07	ROCK 2
08	ROCK 3
09	60 ROCK
10	BOGIE WOOGIE
11	CARIBBEAN
12	HEAVY METAL
13	JIVEROCK
14	ROCK SHUFFLE
15	ROCK'N'ROLL
16	TWIST
<b>POP</b>	
17	16 BEAT 1
18	16 BEAT 2
19	16 BEAT 3
20	16 BEAT 4
21	16 BEAT 5
22	POP 1
23	POP 2
24	POP 3
25	BALLAD
26	FOLK POP
27	NEW AGE
28	POP BOSSA
29	POP REGGAE

Number	Instrument
<b>POP</b>	
30	POP ROCK
31	POP SAMBA
32	POP BALLAD
<b>DANCE</b>	
33	DANCE
34	70 DISCO
35	DISCO
36	E DANCE
37	HIP-HOP
38	HOUSE
39	MACARENA
40	TECHNO
<b>FUNK</b>	
41	FUNKFUSN
42	SOUL 1
43	SOUL 2
44	SOUL BALLAD
45	FUNK 1
46	FUNK 2
<b>BLUES</b>	
47	BLUES
48	GOSPLE
49	R&B
50	SWING JAZZ
51	SLWROCK
52	LANGE
53	SWING
54	BLUES 6.8
55	BLUE BOOGIE
56	BLUES SHUFFLE

Number	Instrument
<b>JAZZ</b>	
57	BIG BAND
58	COOL JAZZ
59	DIXIELAND
60	FOX TROT
61	FUSION
62	JAZZ BAND
63	JAZZ WALTZ
64	JAZZ BALLAD
65	SHUFFLE 1
66	SHUFFLE 2
<b>LATIN</b>	
67	BEGUINE
68	BOSSA NOVA
69	CHA CHA
70	GUARACHA
71	LATIN
72	MAMBO
73	REGGAE
74	RHUMBA
75	SALSA 1
76	SALSA 2
77	SAMBA
78	TANGO 1
79	TANGO 2
<b>TRADITIONAL</b>	
80	MARCH 6.8
81	MARCH 4.4
82	MUSETTE
83	POLKA
84	TRADITIONAL WALTZ
85	VIENER WALTZ
86	WALTZ 1
87	WALTZ 2

Number	Instrument
<b>COUNTRY</b>	
88	COUNTRY 1
89	COUNTRY 2
90	COUNTRY 3
91	COUNTRY 4
92	COUNTRY 5
<b>ORIENTAL</b>	
93	DANGDUT
94	ASIA POP
95	KOREAN
96	MONGOLIAN
97	ARABIAN
98	KRONCONG
99	ENKA

## Demo List

Number	Instrument
00	GRVALSE
01	ETUDE
02	DANSE NP
03	LIEBESTR
04	NOCTURNE
05	SWEET DM
06	BINGO
07	FRIEND
08	DUCKS
09	MINUET
10	CANON
11	GOINGHOM
12	MEGARDEN
13	DRPWATER
14	HARVEST
15	BLUEBELL
16	LOCKOUT
17	CHILDHOD
18	HAPPINES
19	NO LIMIT
20	JTTWORLD
21	GFSCLOCK
22	KATYUSHA
23	SCTAS
24	RUSDANCE
25	RRVALLEY

Number	Instrument
26	USANNA
27	AMPATROL
28	LKS XMAS
29	ENT
30	SM WORLD
31	SERENADE
32	LANDMAN
33	CHOPIN
34	PIZZPOLK
35	ROSESONG
36	TROUT
37	NOCTURNE
38	SUPRISE
39	SCH HEIP
40	G-STRING
41	MIRDANCE
42	DERRYAIR
43	IMPROMTU
44	2-INVENT
45	SONG SPR
46	NUTCRACK
47	LABAMBA
48	UNDERSEA
49	SPIDER
50	JAZZ
51	COBWEB

## Trouble Shooting

Trouble	Possible Reason/Solution
The digital piano will puff when it is switched on.	Don't worry. This is normal.
Pressing key makes no sound after the power is on.	Determine whether the master volume button is set properly or confirm whether the headphone jack is linked to other devices, which will automatically cut off the built-in speaker system.
Notes have different quality under the same sound.	This is normal because different sound sampling ranges make different sound quality.
In pedal sustain function, some sound sustains longer than others.	Determine whether the master volume button is set properly.
The sound is too small.	This is normal. It is related to the original setting.
Some MIDI Data can not be transmitted correctly ( Even when the MIDI cable is linked correctly )	The call phone will jam when it is nearby. The cell phone should be turned off or used away from the digital piano to avoid jamming.
The speaker will make noise when cell phone is nearby.	You may have the double keyboard function or transposition function turned on. Turning off double keyboard or resetting the transposition to zero will resolve this issue.
The pitch doesn't appear to match with its corresponding key.	You may have the double keyboard function turned on, and the split point is set to the highest pitch. Turning off double keyboard function and setting the split point to its original status will resolve this issue.
The sound can not be changed while playing. The pitch doesn't match with key actual place.	You may have the double keyboard function turned on, and the split point is set to the highest pitch. Turning off double keyboard function and setting the split point to its original status will resolve this issue.
The demo song distorts or interrupts.	Playing at maximum volume for long periods will activate the circuit board self-protection system to prevent overheating. Turn down the volume or turn off power for a while can solve the problem.
There are two sounds at the same time while playing.	You may have turned on the dual voice function. Turning off the dual voice function will resolve this issue.
The tone's pitch is wrong.	Set scale and tones or set temperament parameter values to zero.
NO automatic accompaniment chord.	Determine whether accompaniment volume or chord function is turned on.

Trouble	Possible Reason/Solution
Dynamics are different from before.	This digital piano has 4 dynamics, light / standard, heavy / off. You may have chosen different dynamics. You can choose the dynamics again according to your demand or reset it.

### THE FCC REGULATION WARNING (for U.S.A.)

This equipment has been tested and found to comply with the limits for a Class B digital device, pursuant to Part 15 of the FCC Rules. These limits are designed to provide reasonable protection against harmful interference in a residential installation. This equipment generates, uses, and can radiate radio frequency energy and, if not installed and used in accordance with the instructions, may cause harmful interference to radio communications. However, there is no guarantee that interference will not occur in a particular installation. If this equipment does cause harmful interference to radio or television reception, which can be determined by turning the equipment off and on, the user is encouraged to try to correct the interference by one or more of the following measures:

- Reorient or relocate the receiving antenna.
- Increase the separation between the equipment and receiver.
- Connect the equipment into an outlet on a circuit different from that to which the receiver is connected.
- Consult the dealer or an experienced radio/TV technician for help.

### CE mark for European Harmonized Standards

CE Mark which is attached to our company's products of Battery mains the product is in fully conformity with the harmonized standard(s) EN 61000-6-3:2007+A1:2011 & EN 61000-6-1:2007 Under the Council Directive 2004/108/ EC on Electromagnetic Compatibility.



MADE IN CHINA