

# CLASSIC WAH

## WAH-I

### 使用说明书



#### 感谢购买我们的产品!

请仔细阅读本使用说明书和保管好本说明书以供必要时查阅。  
为了您的安全和能更快地熟练使用产品,使用前请先仔细阅读并理解本说明书中所有的安全与使用说明。本说明书内容仅用于使用说明,可能与实际操作本产品时有所不同。谢谢!

#### 注意事项:

- 只能在本产品所规定的电压和电流范围内使用。
- 请勿让本产品淋雨、在水附近或潮湿环境中使用,或将盛有液体的容器放在其上,否则可能会导致液体溅入任何开口。
- 为了避免发生变形或损坏内部组件,请勿将本产品放在有大量灰尘、震动、极端寒冷或炎热(如阳光直射、靠近加热器或烈日下的汽车里)使用。
- 请避免任何异物(纸张、塑料或金属等)插入或落入本产品的任何间隙或开口。
- 操作产品时请不要用力过当以免损坏产品。如果表面脏了,请用干净、干燥的布擦拭。请不要用苯、天拿水、洗涤剂、可燃性抛光剂等液体清洁剂擦拭产品。
- 请勿打开本产品,试图拆卸其内部零件或进行任何方式的改造。本产品不含任何用户可自行修理的零件。若出现异常,请立即停用,并请专业的维修人员进行检修。
- 请不要把本产品和生活垃圾一同丢弃。正确的处理可以减少环境污染和健康危害。正确的处理方法,各地不同,所以详情请联系各地。
- 本产品根据严格的产品规格生产,在特定的区域本产品可用。如果您是通过网络购买、邮件订单、或电话销售,请验证您所在的区域本产品能够使用。在任何未被验证的区域使用本产品都是危险的,并且不再享受厂家或经销商的保修权利。同时也请保留好发票作为购买证据,否则不享受厂家或经销商的保修权利。
- 非本公司授权人员,严禁拆开机壳。请勿自行确定在产品上使用或安装替代器件,或执行任何未经授权的修改。产品内部无操作人员可正常使用之部件,若需维修服务,请联系接受过培训的专业人员。
- 请参考本手册中特定的警告或注意事项信息,以避免造成人体伤害或产品损坏。

#### 产品介绍:

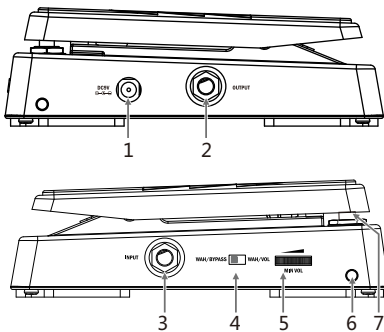
CLASSIC WAH 是一款多功能哇音踏板,集哇音、音量两种功能于一身。在音量控制模式下,设计了最小音量的范围控制旋钮,调节它可以设定踏板在被完全踩下后,还允许有多大音量被保留;比如,你可以根据乐曲演奏需要,选择将声音关的很小,或者只衰减掉一半音量。

CLASSIC WAH的踏板脚感极佳,运动幅度真实自然,防滑橡胶脚垫的设计增加了受压耐用性。两侧清晰高亮LED灯可以更清楚地指示着踏板的工作状态。

#### 产品特点:

- 专为适应哇音音色而定制的RM型屏蔽电感,保证音色更出众。
- 小巧的体积,占用效果器板更小空间,携带更轻便。
- 操作简单,配有哇音/音量和哇音/直通两段不同操作方式的选择换挡和最小音量旋钮。
- 集哇音、音量两种功能于一身,应用更广泛。
- 带有两侧LED指示灯,方便看清踏板工作状态。
- TrueBypass (仅工作于哇音模式)。
- 主动式音量电路设计,将音色损耗降至最小,且保证了信号无损。

#### 面板介绍:



1. 电源输入接口: 使用DC 9V电源输入,外正内负。
2. 输出接口: 6.35mm单声道信号输出接口。
3. 输入接口: 6.35mm单声道信号输入接口。
4. WAH/VOL与WAH/BYPASS换挡: WAH/VOL为哇音模式与音量模式,WAH/BYPASS为哇音模式与旁通模式。
5. 最小音量控制旋钮: 调节音量模式下,踏板起始位置的音量,调节范围从0%-50%。
6. 工作状态指示灯: 当哇音模式开启时,工作状态指示灯点亮为绿色灯,当音量模式开启或旁通模式开启时,工作状态指示灯不亮。
7. 脚踏开关: 在WAH/VOL模式下,哇音模式为默认控制模式,可向前方踩脚踏开关切换为音量模式;在WAH/BYPASS模式下,哇音模式为默认控制模式,向前方踩脚踏开关切换旁通模式。

#### 使用方法:

##### 哇音模式:

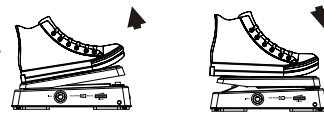
- WAH/VOL与WAH/BYPASS切换开关在WAH/VOL处或WAH/BYPASS处时,哇音模式都为踏板的默认控制模式。
- 前后踩动踏板可获得持续平滑的哇音效果,向前踩下踏板获得更多的高频,向后抬起踏板获得更多的低频。
- 工作指示灯点亮为绿色灯时,表示哇音开启,进入哇音踏板模式。

##### 音量模式:

- 将WAH/VOL与WAH/BYPASS切换开关选在WAH/VOL时,往前方踩脚踏开关,选择到音量模式控制踏板,LED指示灯不亮。
- 向前踩下踏板能获得更大的音量,向后抬起踏板得到更小的音量。
- 调节最小音量控制旋钮,调节音量模式下踏板起始音量大小。

##### 旁通模式:

- 将WAH/VOL与WAH/BYPASS切换开关选在WAH/BYPASS时,往前方踩脚踏开关,选择到旁通模式,LED指示灯不亮。
- 当需要使用原声演奏时,选择旁通模式。



抬起踏板

向前踩下踏板

#### 参数:

1. 供电电压: DC 9V (外正内负)
2. 供电电流: 18mA
3. 输入接口: 6.35mm单声道
4. 输出接口: 6.35mm单声道
5. 输入阻抗: 2.2MΩ
6. 输出阻抗: 100Ω

#### 卓乐产品服务政策

一、在正常使用产品过程中,如果产品出现非人为损坏的性能故障,自购买之日起,消费者享有保修服务,保修期为12个月。

二、有下列情况之一者,消费者不能享受保修权益。

1. 人为损坏;
2. 超过保修期;
3. 无保修卡及有效发票,但能够证明产品在保修期内的除外;
4. 保修卡与产品型号不符,或保修卡被涂改;
5. 未按说明书要求使用、维护、保养而造成产品损坏;
6. 未经卓乐公司授权,擅自拆卸、维修产品、或浸水、摔坏产品;
7. 其他不可抗力造成的损坏。

##### 三、卓乐服务信息

消费者服务热线: 0755-29765390

更多信息请访问: www.joyochina.cn



#### 卓乐产品保修卡

产品型号	姓名	SN号码
	购机日期	
用户信息	电话	
	地址	
	发票号码	
	名称(加盖公章)	
销售单位信息	地址	
	电话	

品牌: JOYO

名称: 哇音踏板

执行标准: QB/T 4324-2012

制造商: 深圳市卓乐科技有限公司

地址: 广东省深圳市宝安区28区新安三路陆氏工业大厦2楼 邮编: 518133

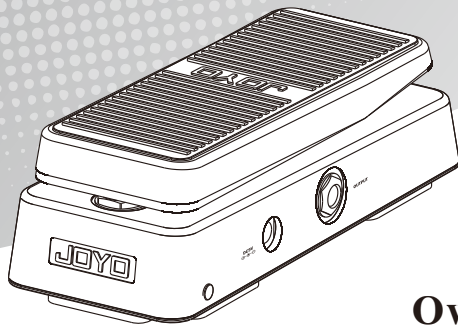
售后服务热线: 0755-29765390

#### 产品合格证

检验结论: 合格

检验员号: QC 01

日期: \_\_\_\_\_



# CLASSIC WAH WAH-I

## Owner's Manual



### Thank you for purchasing this product!

In order to use this product properly and safely, please read this owner's manual carefully before operating this product, and keep it for future reference.

### Safety instructions:

- It can only be used within the voltage and current range of this power supply.
- Don't use it near water or damp areas, don't drop water or other liquid substance into this product.
- Do not expose it to any dusty, extremely cold or hot areas (for example, direct sun light, near heater or in the car during hot summer).
- Make sure there is no paper, plastic, metal or other solid object falls into any of the ventilation openings.
- Clean only with a clean dry cloth. Don't use inflammable substances such as benzene, thinner, detergent and so on.
- Do not open the case for any reason, please switch it off and contact professional maintenance men if it malfunctions, and this product doesn't contain any spare parts for users to do-it-yourself.
- Don't dump this product with household garbage. Proper treatment can reduce pollution and health hazards. Please contact your local dealer for correct approaches.
- This product is produced according to strict product specifications and supposed to be used in specific areas. If you purchase it online, by mail order or telesales, please verify whether your area is authorized to use this product or not. It's dangerous to use this product in any unqualified area and you will no longer enjoy the factory warranty. Besides, please keep your invoice as proof of purchase for after-sales service.
- Don't open the case for any reason nor replace any components by yourself, please contact professional maintenance men for maintenance service.
- Heed all the warnings so as to avoid harm or product damage.

### Product's introduction:

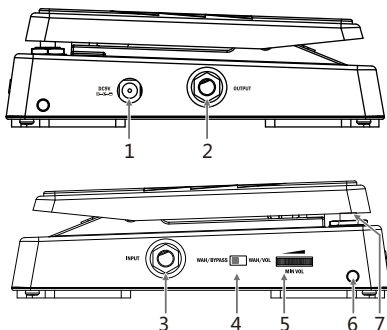
CLASSIC WAH is a multifunctional WAH-WAH pedal, featuring both WAH-WAH and VOLUME functions. In VOLUME Control mode, minimum volume control knob is one of its characteristics, by adjusting this knob you can obtain volume while toeing down the pedal completely. For example, you can turn down the volume a lot according to the needs of your performance, or just attenuate half of the volume.

The feel for CLASSIC WAH pedal is amazing and the range of motion is ergonomic, besides, skidproof rubber cushion for the feet enhances durability, the bright LEDs on both sides indicate the pedal's working status.

### Product's characteristics:

- Its RM shielded inductance is specially designed for WAH-WAH tone, which guarantees outstanding tone.
- It takes lesser space of the pedal board, lightweight and portable.
- Easy to operate, with WAH-WAH /VOLUME and WAH-WAH /BYPASS toggle switch and minimum volume control knob.
- With both WAH-WAH and VOLUME functions.
- LED indicators on both sides clearly show the pedal's working status.
- TrueBypass (for WAH-WAH mode only)
- Active volume control circuit design ensures tone's minimum signal loss and the signal intact.

### Panel's introduction:



- 1. Power Input Jack:** DC9V Power Input, center minus.
- 2. Output Jack:** 6.35mm single channel signal output jack.
- 3. Input Jack:** 6.35mm single channel signal input jack.
- 4. WAH/VOL and WAH/BYPASS toggle switch:** WAH/VOL is WAH mode and VOLUME mode, WAH/BYPASS is WAH mode and BYPASS mode.
- 5. Minimum Volume Control Knob:** In VOLUME mode, the adjusting range for the volume of the footswitch's initial position is 0%-50%.
- 6. Working status indicator:** In WAH mode, the working indicator is green, the working indicator goes out when VOLUME mode or BYPASS mode is turned on.
- 7. Footswitch:** In WAH/VOL mode, WAH mode is the default control mode, you can toe down the footswitch and switch to the VOLUME mode; in WAH/BYPASS mode, WAH mode is the default control mode, toe down the footswitch and switch between WAH/BYPASS mode.

### How to use?

#### WAH Mode:

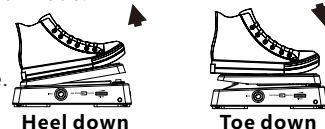
- When WAH/VOL and WAH/BYPASS footswitch is at the position of WAH/VOL or WAH/BYPASS, WAH mode is the pedal's default control mode.
- Toe down and heel down continuously offers continuing smooth WAH-WAH sound, toe down will give you more treble, heel down will give you more bass.
- When the LED is green, it means the WAH tone is on and enters into WAH pedal mode.

#### VOLUME mode:

- When WAH/VOL and WAH/BYPASS footswitch is at WAH/VOL, toe down and choose the VOLUME mode, the LED indicator won't illuminate.
- Toe down will turn up the volume, while heel down will turn down the volume.
- Adjust the minimum volume control knob, and also adjust the initial volume in VOLUME mode.

#### BYPASS mode:

- When WAH/VOL and WAH/BYPASS footswitch is at WAH/BYPASS, toe down and choose the BYPASS mode, the LED indicator won't illuminate.
- Please choose BYPASS mode when you need to perform the original sound.



### Parameters:

1. Power voltage: DC9V (center minus)
2. Supply current: 18mA
3. Input Jack: 6.35mm single channel
4. Output Jack: 6.35mm single channel
5. Input Impedance: 2.2MΩ
6. Output Impedance: 100Ω

**JOYO TECHNOLOGY CO., LTD**

Address: 2/F, Lushi Industry Building, 28th District, Bao'an, Shenzhen, 518133 China.  
www.joyoaudio.com Email: info@joyoaudio.com Tel: 0086-755-29765381

JOYO Technology is committed to guarantee the highest quality standards. All Technical Parameters or pictures are only for your information, subject to the actual products.