

CHA230

Service Manual



www.audac.eu

Index

Specifications	4
Technical Drawing	5
Part List	6
Personal Notes	7

Specifications

SYSTEM SPECIFICATIONS

Max power	45 W
RMS power	30 W
Line Transformer Power Taps	30 W / 334 Ohm 20 W / 500 Ohm 10 W / 1000 Ohm 5 W / 2000 Ohm
Impedance	20 Ohm
Sound pressure 1W/1m	109 ± 3 dB
Frequency response –3dB	400 Hz – 7.5 kHz

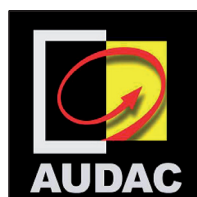
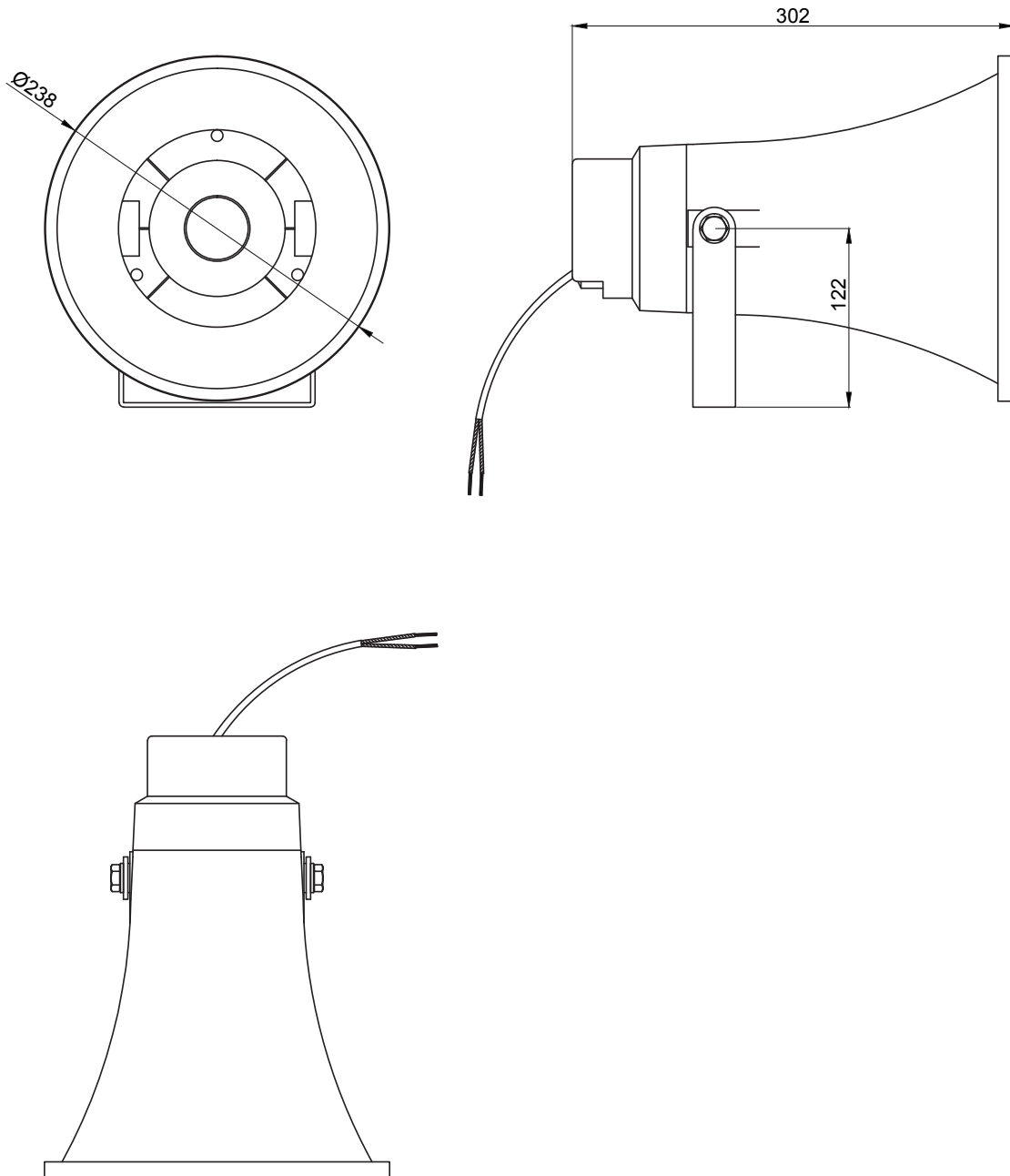
PRODUCT FEATURES

Dimensions (ø x Depth)	ø 238 x 302 mm
Weight net	2.13 kg
Construction	ABS
Mounting	Inox bracket, inox screws
Colour	Light grey RAL7035

ACCESSORIES

Accessory included	Mounting bracket
--------------------	------------------

Technical Drawing



CHA230

Product description:
COMPRESSION HORN LOUDSPEAKER
30W/100V

Weight:

2,13 kg

Outer dimensions:
(w x h x d)

$\text{Ø} 238 \times 302$

Unit height:

N/A

Part List

AUDAC Part code	Description	Q'TY
	Carton box	1
	ABS Horn for CHA230	1
AU210400001	Recone for CHA215 / CHA230 Horn Speakers	1
	100V Transformer	1
	Mounting bracket	1
	Connection plate	1

