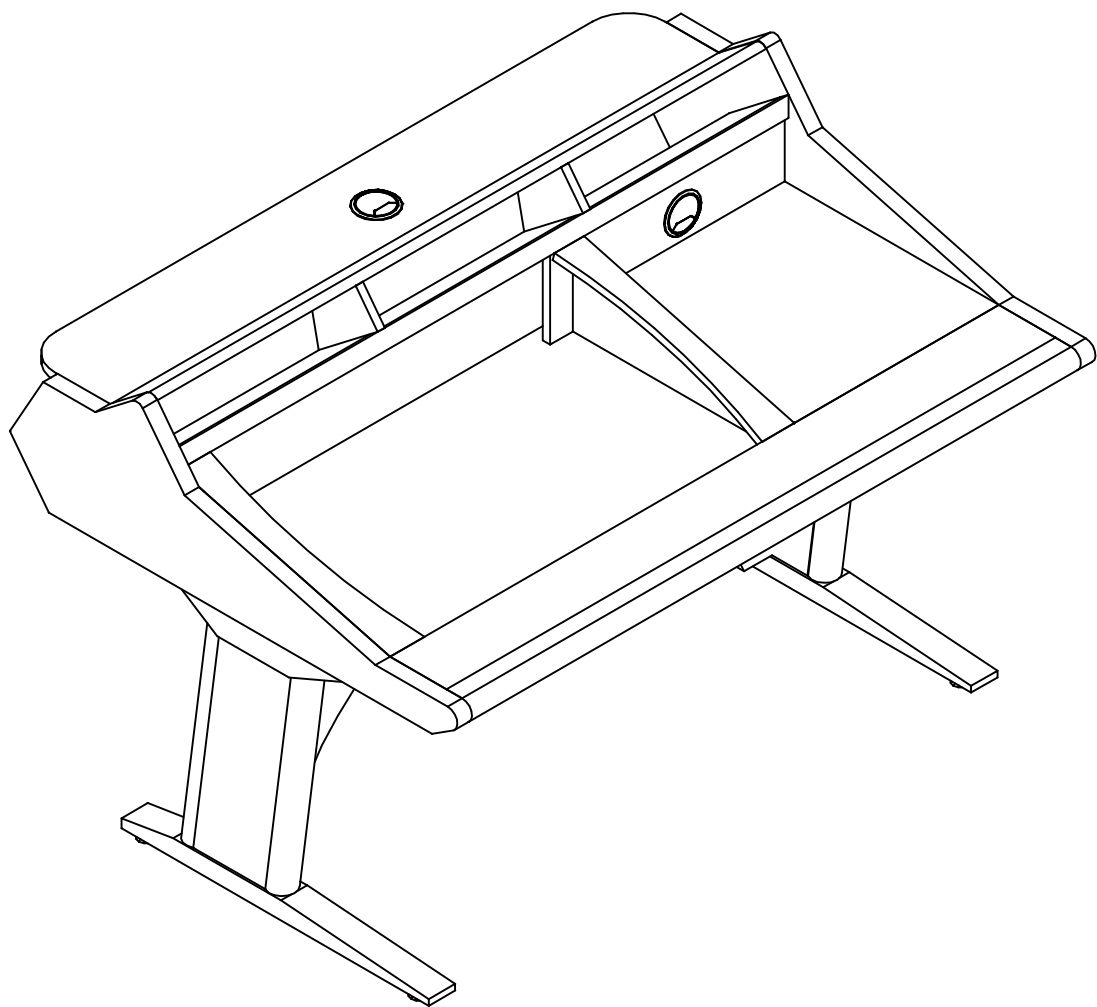


# Zaor<sup>®</sup>

## BUDGET CUSTOM DESIGN



## Marea Assembly Manual

### Technical Plan

Thank you for choosing a piece of Zaor studio furniture,  
which will hopefully make your life easier, more ergonomic and improve the looks of your workspace.

Before you can enjoy the comfort of your new acquisition you need to assemble it.

We have tried to give you as much detail as needed and as little as possible.

Should you run into any difficulty with this assembly you can get in touch with us via  
[sales@zaorstudiofurniture.com](mailto:sales@zaorstudiofurniture.com) to set up a Skype session or phone call.

Here is a general instruction on how to use the furniture assembly kits:

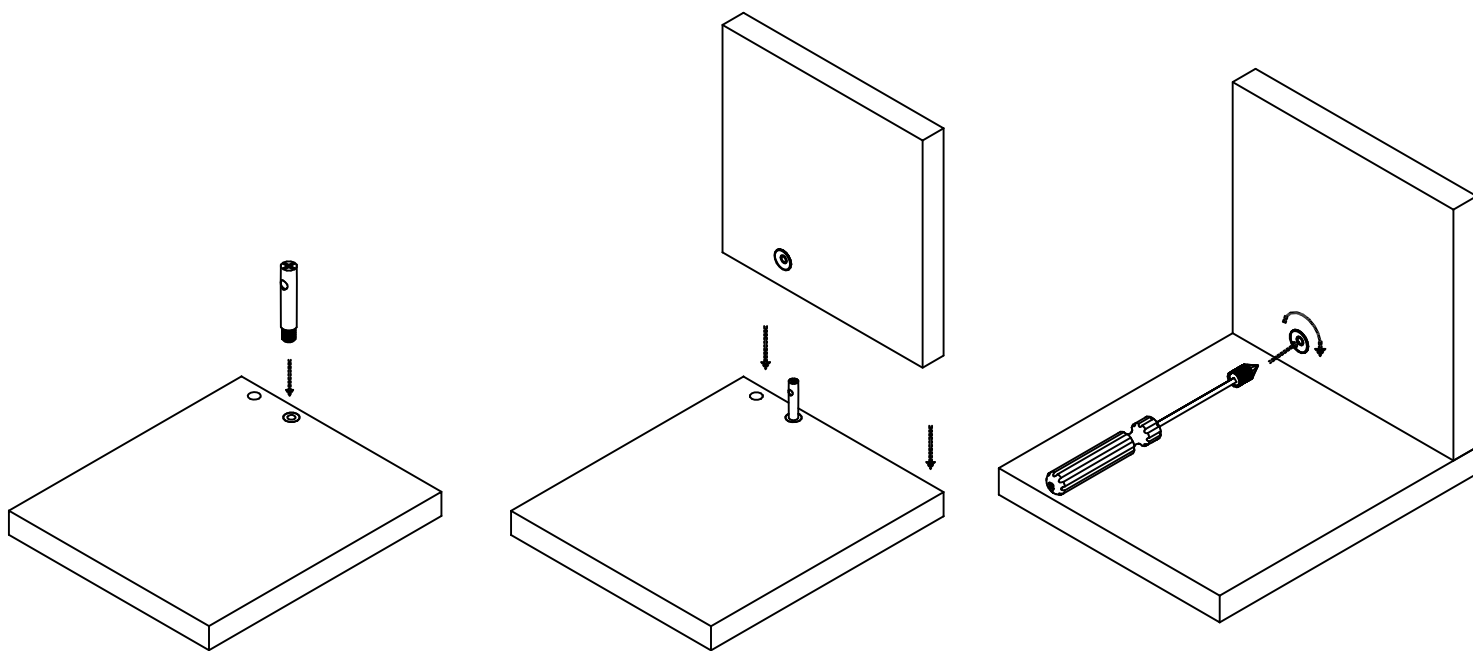
- 1) Insert and screw in the system bolt(s) into the socket(s) already present on the part(s) making sure the hole is at 90° from the edge
- 2) Assemble the connecting parts, inserting the bolts into the smaller holes in the connecting part, the bolt tip fitting into the side hole of the excenter until the hole in the bolt and the center hole of the excenter align
- 3) insert the locking screw into the excenter, and tighten with a cross screw driver all the way without using force!



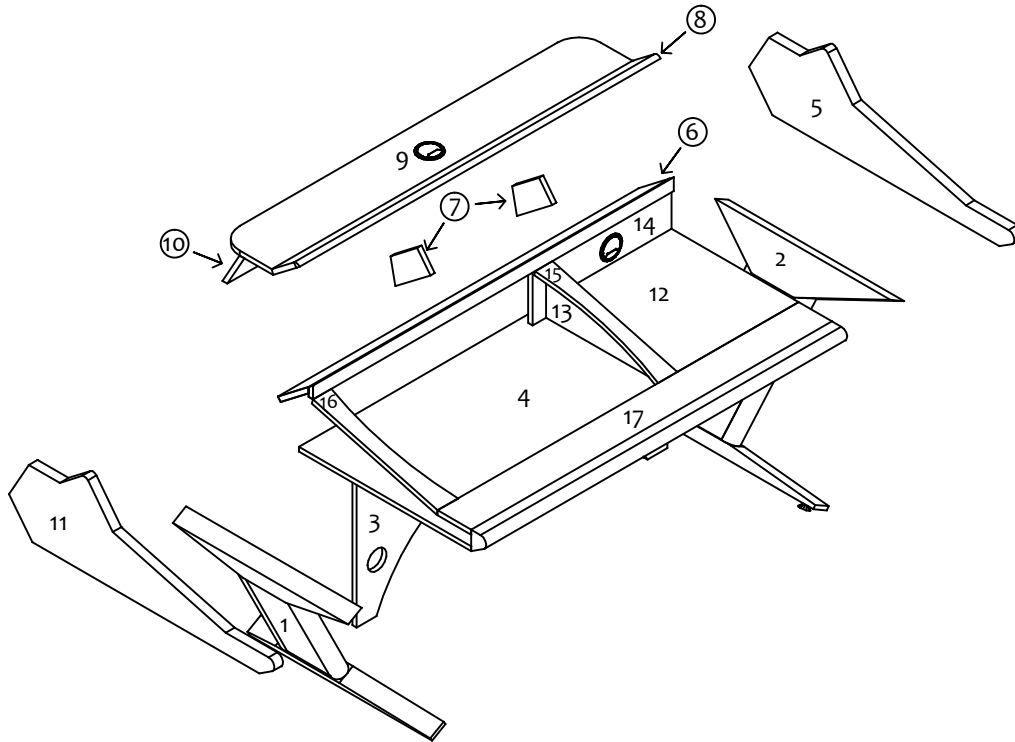
System bolt with hole



Locking screws

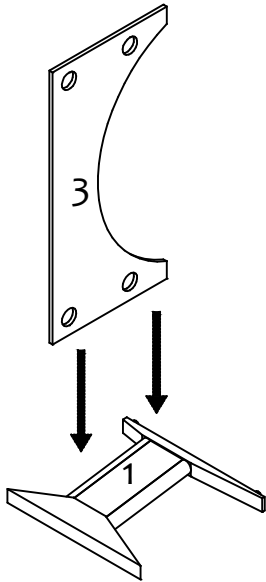


### Assembly Manual

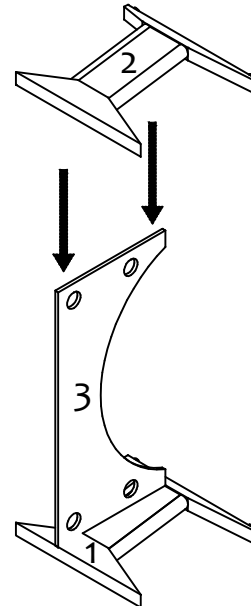


Part n° 1 Left foot Part n° 2 Right foot	Part n° 3 Stabilising crossbar	Part n° 4 Desk base plate	Part n° 5 right side panel Part n° 11 left side panel	Part n° 6 Base section A
Part n° 7 Dividers section A	Part n° 8 Top section A	Part n° 9 Back horizontal plane	Part n° 10 Back stabiliser	Part n° 12 Desk plane right
Part n° 13 Side part section B	Part n° 14 Back panel section B	Parts n° 15-16 Solid wood caches	Part n° 17 armrest	

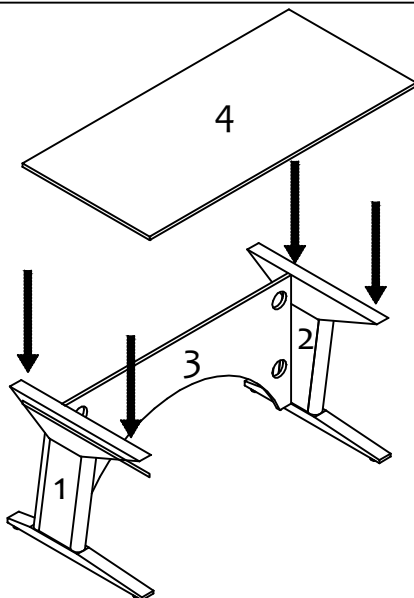
### Assembly Manual



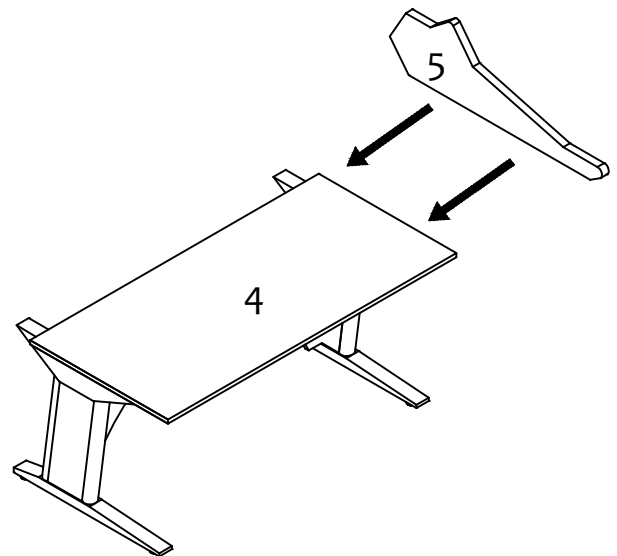
Step 1 place part n° 1 flat on the ground as shown. Lower part n° 3 onto the leg previously equipped with system bolts. Use the excenters as shown in page 2 to join the two parts.



Step 2 Attach the second leg (part 2) onto the stabilising crossbar #3 using the assembly kits.

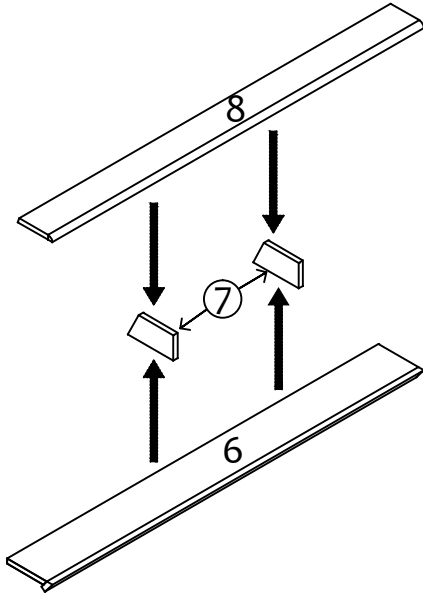


Step 3 set the base of the Marea you just built up straight as shown and lower down part # 4. Attach using the assembly kits.

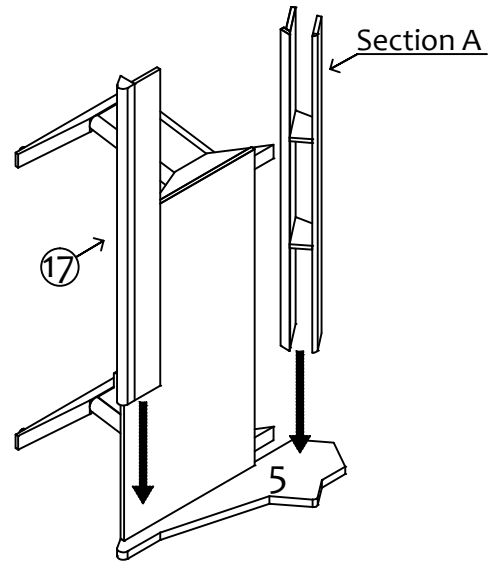


Step 4 Attach the side panel #5 to part #4 and fix with assembly kits.

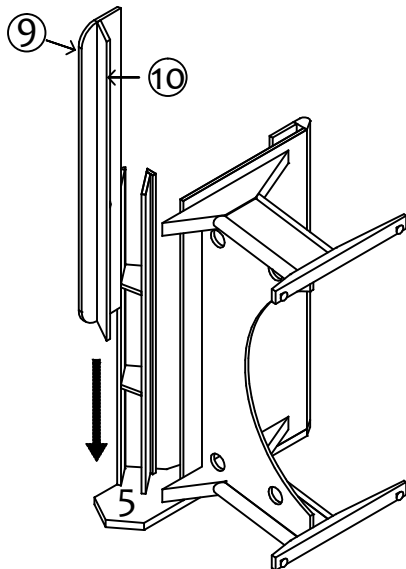
### Assembly Manual



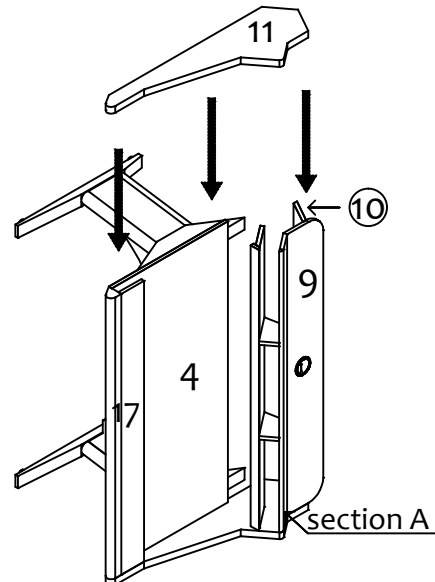
Step 5 (Section A) to assemble Section A attach the 2 dividers #7 to part #6. Continue by adding part # 8, using the assembly kits.



Step 6  
In 2 people lay the Marea on its side as shown. Lower down Section A just assembled as well as the armrest # 17 onto the side part # 5. Make use of the assembly kits to attach and tighten all the parts.

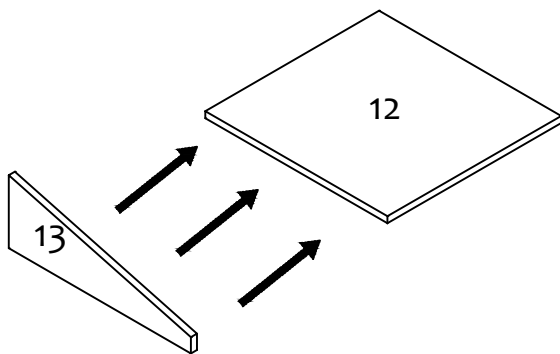


Step 7 assemble parts 9 and 10 and lower onto side part #5 and attach with the help of assembly kits.

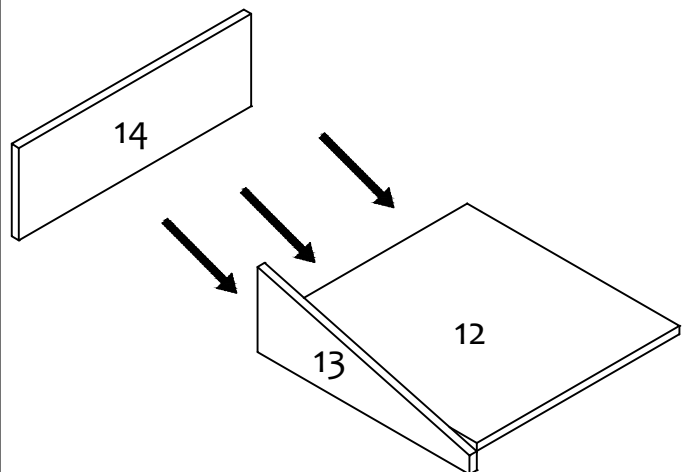


Step 8 Finish the main structure of the Marea by fixing side part # 11 after having mounted all the bolts and attach to #4,6,8,9,10 + 17. Carefully with 2 people re-position the assembly on its legs.

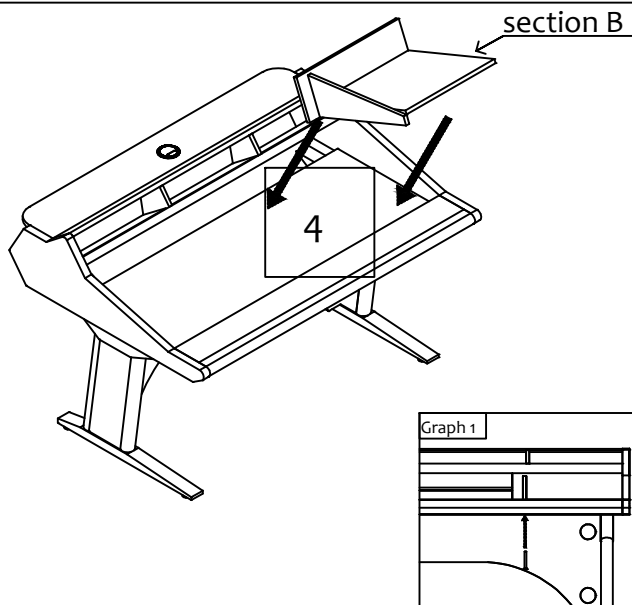
### Assembly Manual



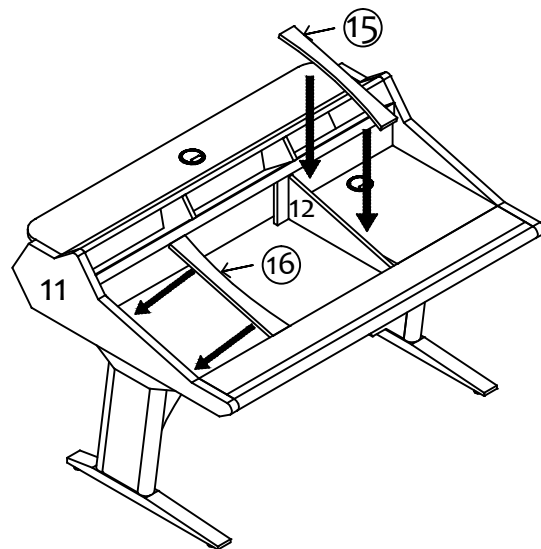
Step 9 (Section B) Fix side part # 13 on the side of # 12 with assembly kits



Step 10 Finish Section A attaching part # 14 onto the back of parts # 12 e 13.



Step 11 From top down insert assembled Section B on top of the base # 4. Attach using M6x30 screws through the holes pre-drilled in part # 4 from underneath as shown in graph 1.



Step 12 Finish by attaching the solid wood caches: #16 to the side # 11 and # 15 to the side of section B, part # 12. Congratulations, you are done. Beware when putting in your mixer, lower it down passing the back through the middle between the wood caches, at its widest. Then slide into place.