



ASTON MICROPHONES

Owners Handbook



008



Spirit



Origin

Thank you!

On behalf of the whole team at Aston Microphones I'd like to thank you for investing in your Aston product.

Our microphones are designed and developed in the UK and manufactured to the most exacting standards. Every Aston product is individually tested at each key stage to ensure reliable, consistent performance and the most musical sound capture possible, so we're sure that your new baby will provide you with many years of perfect service.

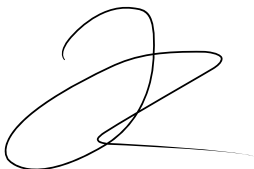
Aston mics are far more than functional tools, they are characterful instruments, each recognisable by its unique sonic signature and its quirky design features; the individually tumbled stainless steel chassis found on Origin, Spirit and Starlight, or the cool purple LED glow of Stealth and Element.

Under the hood, each mic is laced with ground-breaking and award-winning technology, with Stealth winning 'Best Microphone' at the coveted 2020 NAMM TEC Awards, and Element, in tests by leading authority NTi Audio, being credited with having the widest frequency response of any moving-coil microphone, and with being the quietest (in a good way), mic on the planet.

Your Aston microphone has been voiced and tuned following extensive blind listening tests by a panel of some of the biggest names in British music recording and production (with Element this process was famously rolled out to the wider music-making community). Only when an overwhelming consensus put one particular combination of capsule and circuitry way out in front of both competing microphones and our other prototypes did we approve the designs.

Our packaging has been designed to save space, and focus on being as environmentally sustainable as possible, using 84% recycled materials and being 100% recyclable.

We hope you enjoy what we've created, and thank you for supporting our brand.

A stylized, handwritten signature in black ink, consisting of several overlapping loops and a long horizontal tail stroke.

James Young

Aston Microphones

Hitchin, UK

Contents

| | |
|---|----|
| Aston Origin & Spirit | 5 |
| Aston Starlight & Starlight Stereo Pair | 12 |
| Aston Stealth | 18 |
| Aston Element | 22 |
| Aston Accessories | 28 |
| Aston Halo & Halo Shadow | 32 |
| Using Your Aston Microphone | 35 |
| Microphone Terminology & General Care | 35 |

Aston Owners Club

Please register your product to extend your 2 year limited replacement warranty to 3 years, free of charge.

You'll be automatically given membership to our exclusive Aston Owners Club once you've registered here:

<https://www.astonmics.com/EN/my-aston>

Aston Origin & Spirit

Features:

- Wave-form mesh head - this unique design provides shock absorption to protect the capsule, with elastic mesh memory.
- Built-in pop filter using the latest stainless steel mesh-knit technology.
- Direct to stand microphone mounting option.
- 2mm, solid stainless steel, laser-cut and etched chassis.
- Capsule - The Aston Sound - developed by professional artists, engineers and producers.
<https://www.astonmics.com/EN/Aston-Sound>
- Hi-Spec PCB and electronic components.
- Eco-friendly packaging. Well-designed, re-usable and recyclable packaging.

Weights & Measures

| | Aston Origin | | Aston Spirit | |
|---|--------------|--------|--------------|--------|
| Product length | 125mm | 4.92in | 175mm | 6.89in |
| Product width | 54mm | 2.13in | 54mm | 2.13in |
| Product weight | 450g | 0.99lb | 625g | 1.38lb |
| 100% recyclable and biodegradable card box (84% recycled fibre) | 72g | 0.16lb | 72g | 0.16lb |
| 100% recyclable and biodegradable card sleeve | 22g | 0.05lb | 22g | 0.05lb |
| 100% recyclable non cross-linked Ethafoam 150 PE25 insert | 40g | 0.09lb | 37g | 0.08lb |



Aston Origin

The Aston Origin is a high-performance cardioid pattern capacitor microphone utilising a one inch capsule with a gold evaporated Mylar diaphragm. It is versatile enough to use with most instruments, excelling on both acoustic guitar and vocals. Its hand-selected capsule is teamed with high-end transformer-less circuitry using only the highest quality selected components.

The Origin is designed to deliver a direct, smooth and intimate sound with the perfect balance of warmth and clarity for a natural-sounding and transparent recording.

Origin specifications:

Transducer Type: Capacitor

Acoustic Operating Principle: Pressure Gradient

Directional Polar Pattern: Cardioid

Frequency Response: 20Hz - 20kHz (+/- 3dB)

Equivalent Noise Level: 18dB A-Weighted

Sensitivity at 1 kHz into 1kohm: 23mV/Pa

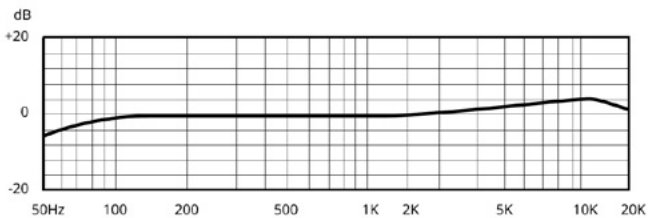
Maximum SPL for THD 0.5%: 127dB

Pad Switch: -10dB/0 dB

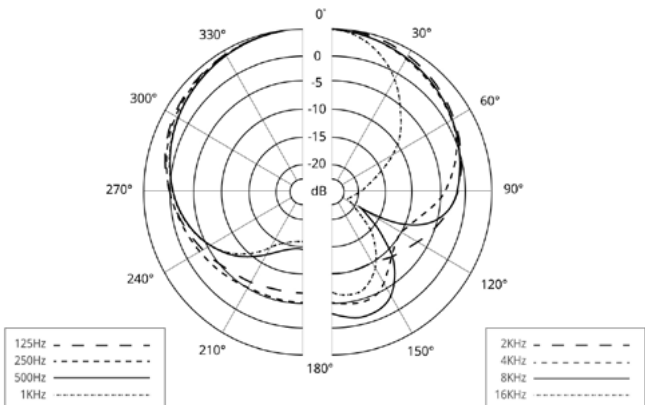
Low-Cut Filter: 80Hz

48 Volt Phantom power (+/- 4 Volts) is required for operation

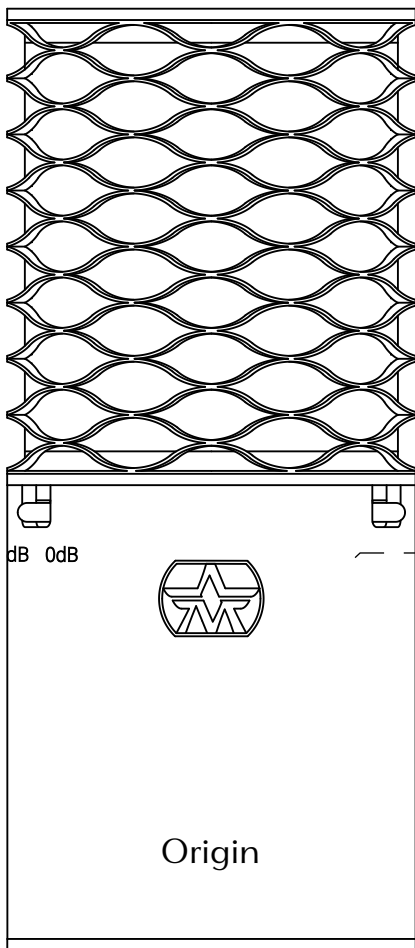
Frequency Response



Polar Pattern



Cardioid Condenser



Aston Spirit

The Aston Spirit is a high-performance, switchable pattern, microphone utilising a one inch, dual diaphragm, gold evaporated capsule. A switch on the mic body selects from Omni, Cardioid or figure-of-eight polar patterns. It is versatile enough to use with most instruments in addition to main and backing vocals. Its hand-selected capsule is teamed with high-end transformer balanced circuitry using only the highest quality electronic components. Its dual pad option allows it to accommodate very high SPLs while its low cut filter cuts the ultra-lows.

The Spirit is designed to deliver a beautifully open sound with sparkling harmonics. This microphone is capable of delivering a stunningly natural and transparent sound with just a subtle hint of flattery, capturing all the detail in the high range but without adding the harshness that some capacitor microphones are prone to.

Spirit specifications:

Transducer Type: Capacitor

Acoustic Operating Principle: Pressure Gradient

Frequency Response: 20Hz - 20kHz (+/-3dB)

Equivalent Noise Level: 14dB A-Weighted

Sensitivity at 1kHz into 1kohm: 23.7mV/Pa

Maximum SPL for THD 0.5%: 138dB

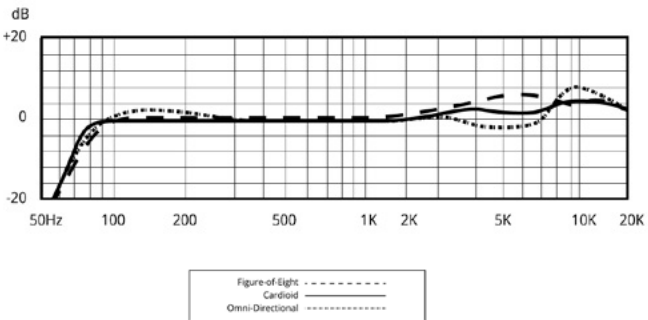
Polar pattern: Omni/Cardioid/Figure-of-Eight

Pad Switches: -20dB/-10dB/0dB

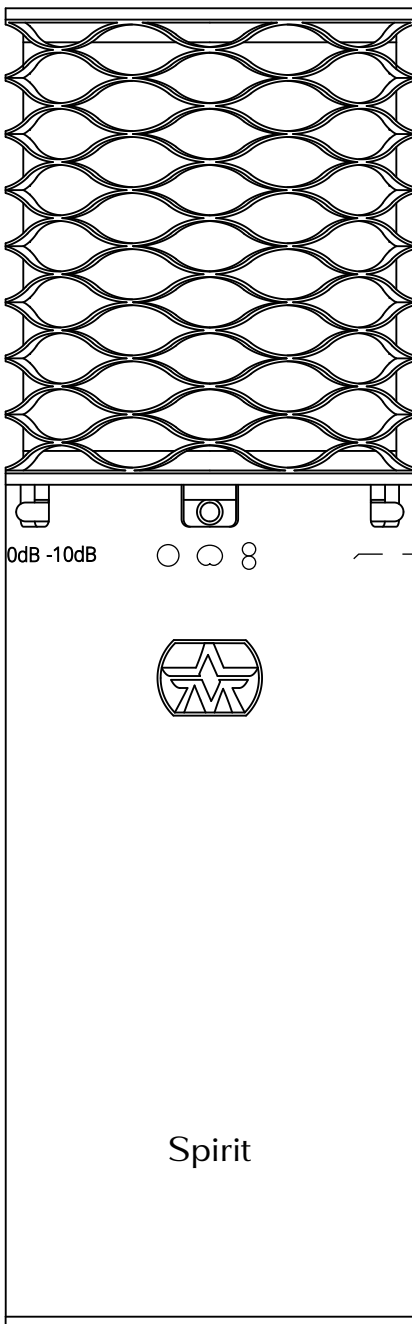
Low-Cut Filter: 80Hz

48 Volt Phantom power (+/- 4 Volts) is required for operation

Frequency Response

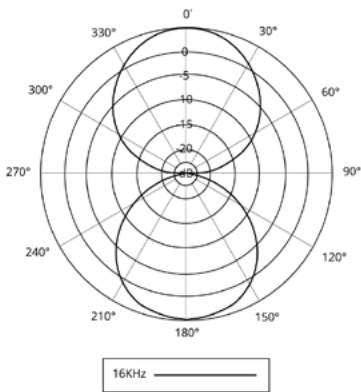


Multi-Pattern Condenser

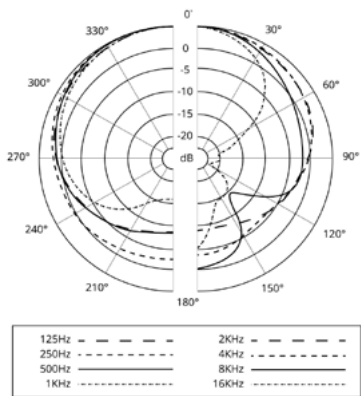


Polar Patterns

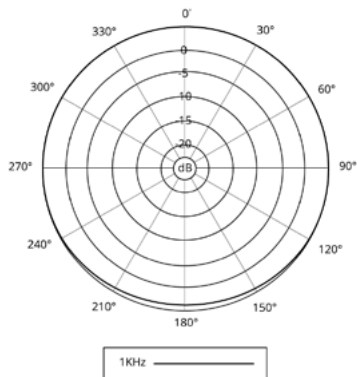
Figure-of-Eight



Cardioid



Omni-Directional





Aston Starlight & Starlight Stereo Pair

Features:

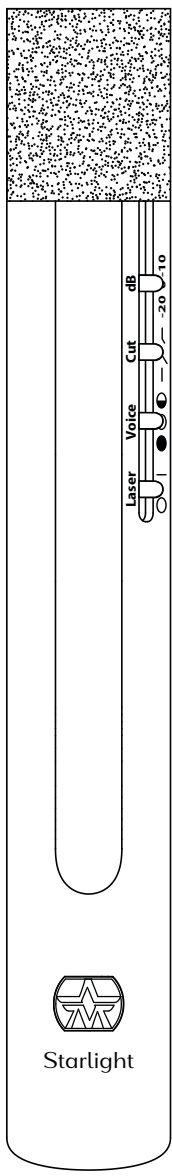
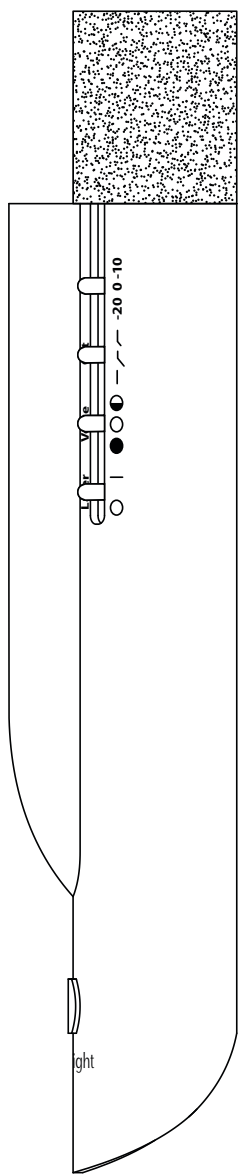
- Laser-alignment sight for placement accuracy and recording recall
- Sintered metal head - unique & innovative design protects capsule and provides excellent acoustic properties
- Gold-sputtered 20mm capsule, chosen in blind tests by a panel of 50 top producers
- PCB - market-leading electronic design
- 1.5mm, solid stainless steel, laser-cut and etched chassis
- 3-position voicing switch: Vintage, Modern and Hybrid settings
- Pad switch: -20dB/ -10dB/ 0dB
- 3-position Low-Cut Filter
- Stereo pair comes with a mounting bar, 2 mic clips and 2 windscreens

Weights & Measures

| | Aston Starlight | | Aston Starlight Stereo Pair | |
|---|-----------------|--------|-----------------------------|--------|
| Product length | 181mm | 7.13in | 181mm | 7.13in |
| Product width (with laser) | 36mm | 1.42in | 36mm | 1.42in |
| Product width (without laser) | 26mm | 1.02in | 26mm | 1.02in |
| Product weight | 251g | 0.55lb | 502g | 1.1lb |
| Accessory weight | 52g | 0.11lb | 392g | 0.86lb |
| 100% recyclable and biodegradable card box (84% recycled fibre) | 72g | 0.16lb | 164g | 0.36lb |
| 100% recyclable and biodegradable card sleeve | 22g | 0.05lb | 55g | 0.12lb |
| 100% recyclable non cross-linked Ethafoam 150 PE25 insert | 44g | 0.10lb | 130g | 0.29lb |



Small Diaphragm Cardioid Condenser



Aston Starlight

The Starlight is a small diaphragm, end fire condenser microphone featuring a sintered metal head which combines extreme durability with extraordinary audio transparency.

The addition of a laser not only makes precise alignment easy, it also helps achieve consistency when re-establishing the microphone position after de-rigging.

The 20mm gold sputtered capsule feeds into custom designed transformerless electronics, with low noise and ultra-low distortion as priorities. Using proprietary circuitry at the input stage of the mic amp rather than simple post-EQ, we have also given Starlight three different voices accessed via a switch on the microphone body.

Vintage voicing [●] introduces some subtle low end lift while gently rolling back the extreme highs for a classic warm, smooth sound. The 'middle' Modern setting [○] adds some airy high-end lift while the third Hybrid setting [◐] delivers a nominally flat response but with just a little low end lift. With its laser guide, sintered head and multiple voices, Starlight is the most comprehensive instrument mic package on the market today.

Starlight specifications:

Transducer Type: Capacitor

Acoustic Operating Principle: Pressure Gradient

Directional Polar Pattern: Cardioid

Frequency Response: 20Hz - 20kHz (+/- 10dB)

Equivalent Noise Level: 15dB A-Weighted

Sensitivity at 1kHz into 1kohm: 42.1mV/Pa

Maximum SPL for THD 0.5%: 130dB/ 140dB/ 150dB

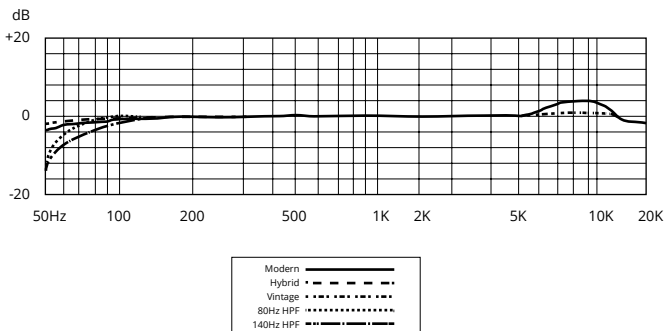
Signal-to-Noise Ratio (rel. 94dB SPL): 79dB A-Weighted

Pad Switches: -20dB/-10dB/0dB

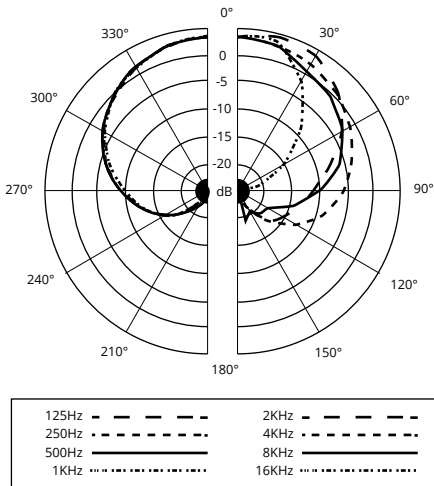
Low-Cut Filters: 80Hz, 140Hz

48 Volt Phantom power (+/- 4 Volts) is required for operation

Frequency Response



Polar Pattern



Starlight Laser

The Aston Starlight is equipped with a Class 2 Laser driven by 48V phantom power provided via the XLR cable from a mixing console/mic preamp. It does not require any batteries. The Starlight's laser is emitted through the laser aperture located on the top front of the microphone. Switch the Laser to the "I" position to turn it on and "O" position to turn it off. The Laser is not designed to be left on during use.

Starlight laser specifications:

Wavelength: 650nm

Divergence (Spot Size or Beam Diameter): 10x10mm @ 5m

Maximum Average Power: 0.9mW



Starlight

Aston Stealth

Features:

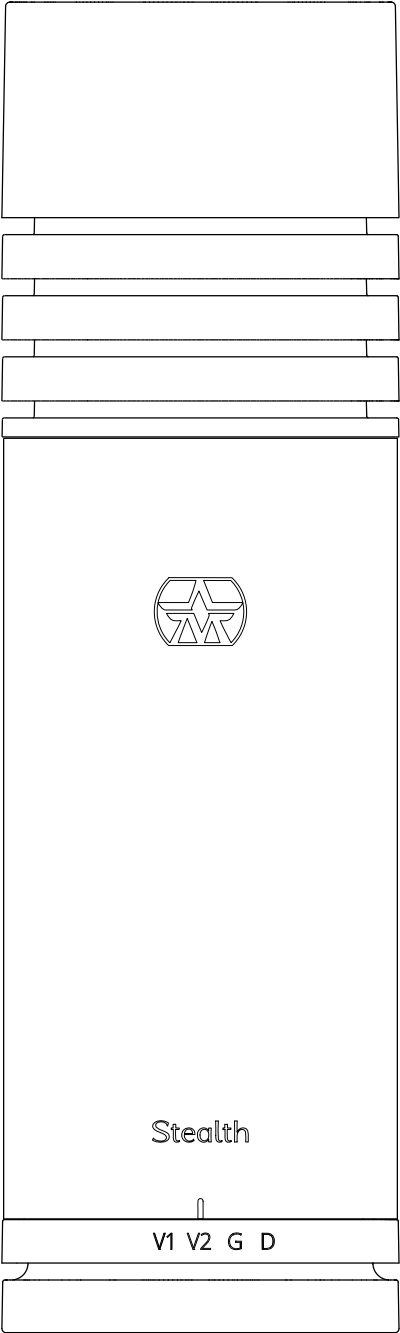
- Broadcast quality cardioid microphone for studio and stage
- 4 settings – 4 different voices – 4 discrete signal paths
- Works with and without 48V phantom power
- Autodetect function senses 48V and activates built in preamp
- Class A Mic Pre built in – no external gain lifting device required
- Unique Sorbothane internal shock mount
- Excellent off axis (side) rejection
- Built-in purple LED phantom power indicator – switchable for Stealth mode
- Aston’s legendary build quality
- Sound developed by 92 top engineers, producers and artists and the Aston 33 panel
- Supplied with quick release stand mount

Weights & Measures

| | Aston Stealth | |
|---|---------------|--------|
| Product length | 196mm | 7.72in |
| Product width | 58mm | 2.28in |
| Product weight | 692g | 1.52lb |
| Clip - US/European thread adaptor | 48g | 0.10lb |
| 100% recyclable and biodegradable card box (84% recycled fibre) | 144g | 0.28lb |
| 100% recyclable and biodegradable card insert | 154g | 0.30lb |
| 100% recyclable and biodegradable card sleeve | 22g | 0.05lb |



Studio & Live Microphone



Aston Stealth

The Aston Stealth is a large chassis, broadcast quality, end fire dynamic mic with four switchable voice settings, each tailored to deliver unparalleled performance across a broad range of applications: The settings are:

V1 (Vocal 1): This was voted top in blind testing for a range of male vocal takes, regardless of the pitch of the singer.

V2 (Vocal 2): This setting came top for a range of female vocal takes. As with V1 this was more to do with timbre than pitch. In both cases these results are subjective and we recommend trusting your ears to find the best settings for your needs.

G (Guitar): At home on anything from Spanish guitar through to raucous guitar cabs!

D (Dark): A vintage sound, reminiscent of classic ribbon mics.

Stealth works with or without 48V phantom power. In passive mode (unpowered) the active circuit is completely bypassed and Stealth operates with the simplest possible signal chain to give a beautifully clean sound.

When in active mode Stealth features a high quality built-in Class A Mic Pre Amp, dispensing with the need for an expensive external gain lifting device.

A unique built-in Autodetect function senses the presence of 48V phantom power and will automatically switch the mic to active mode.

Phantom power mode is indicated by purple LED floodlights. These can be switched off when the mic is to be heard but not seen, for example in broadcast and video environments.

Stealth includes a proprietary internal shock mount design with the capsule suspended in mid-air, completely isolated from the mic chassis, and supported at 3 points by Sorboathane polymer hemispheres.

Stealth comes supplied with a specially designed adjustable quick-release stand mount.

Stealth specifications:

Transducer Type: Moving coil

Directional Polar Pattern: Cardioid

Frequency Response: 20Hz - 20kHz

Equivalent Noise Level: 10dB

Sensitivity (passive mode) at 1 kHz into 1 kOhm: ave. 1mV/Pa*

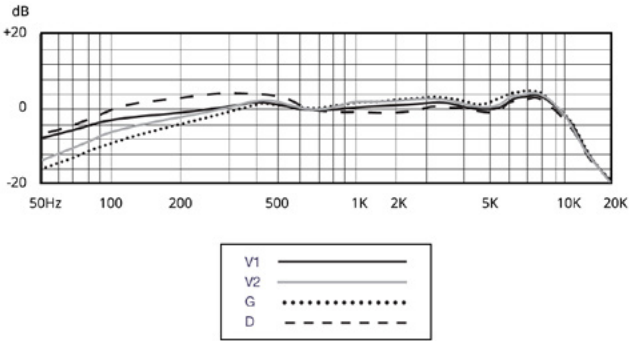
Sensitivity (active mode) at 1 kHz into 1 kOhm: ave. 150mV/Pa*

Maximum SPL for THD 0.5%: 140dB

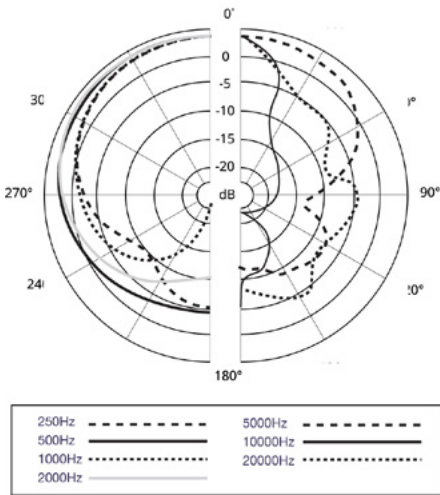
* Varies across the 4 voices

Studio & Live Microphone

Frequency Response



Polar Pattern



Proposition 65 information for California residents:

WARNING: This product contains chemicals known to the State of California to cause cancer and cause birth defects or other reproductive harm. (California law requires this warning to be given to customers in the State of California.)

For more information: www.P65Warnings.ca.gov

Aston Element

Features:

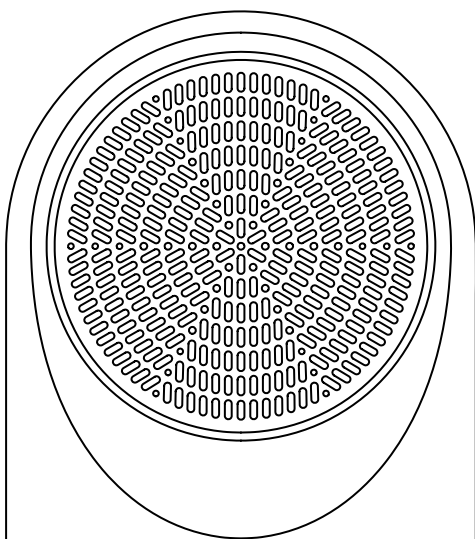
- Large diaphragm active moving coil studio microphone
- Tailored for vocals, acoustic instruments and electric guitars
- Voicing developed by public vote
- Specially developed Ridyon™ capsule combines the best features of dynamic, condenser and ribbon mic technology
- World's quietest microphone (NTi Audio tests)
- Widest frequency response of any electromagnetic (ribbon or moving coil) microphone ever made
- Proprietary active circuitry
- Backlit LED logo badge confirms presence of 48v phantom power
- Legendary Aston build quality
- Designed and developed in the UK
- Full 10 year warranty (requires registration)

Weights & Measures

| | Aston Element | |
|---|---------------|--------|
| Product length | 163mm | 6.4in |
| Product width | 58mm | 2.28in |
| Product weight | 275g | 0.6lb |
| 100% recyclable and biodegradable corrugated paper mixed recycled content inner layer | | |
| Pop box | 116g | 0.26lb |
| Mic box | 104g | 0.23lb |
| Shock box | 130g | 0.29lb |



Studio Microphone



Element

Aston Element

Aston Element is a large diaphragm active studio microphone developed, by public vote, to offer unprecedented performance. Its unique **Ridyon™** capsule takes the best features of dynamic, condenser and ribbon mic tech, without the drawbacks each of these traditional favourites often suffer from.

Element's backlit LED logo badge glows Aston purple when the active mic is receiving the 48v phantom power it requires (The LEDs are dual-purpose, also functioning as an intrinsic part of the audio signal path).

Anechoic tests by NTi Audio, the world's leading authority in scientific audio measurement, have rated the new mic at 3.8 dBA (A-weighted) making Element **the world's quietest studio microphone!** It also has the **widest frequency response of any electromagnetic** (ribbon or moving coil) **microphone ever made.**

Element is supplied with a proprietary magnetic Pop Filter which all-but eliminates unwanted plosives and 'esses'. It automatically attaches in seconds, in exactly the correct position for use, and the magnets used to achieve this are shielded from the mic's capsule to ensure the audio remains completely free of artefacts. You can turn the pop shield upside down on the mic when recording instruments, so you don't have to keep putting it away between takes. Also included is a custom Shock Mount, designed specifically for Element, which clips quickly and easily to the mic.

Element is covered by a full 10 year warranty.

Project Element

In a world-first, Aston Element was developed in conjunction with the musicians and producers who would ultimately be using it. More than 4000 people signed-up to participate in a series of blind listening tests, the results of which guided the Aston engineers in modifying the prototypes, until Element was outperforming not only direct rival mics but some far costlier options too.

Element specifications:

Transducer Type: Moving coil

Directional Polar Pattern: Cardioid

Frequency Response: 20Hz - 20kHz

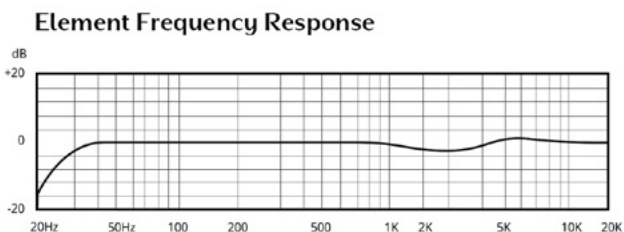
Equivalent Noise Level: 3.8 dBA (A-weighted)

Sensitivity (passive mode) at 1 kHz into 1 kOhm: ave. 12mV/Pa

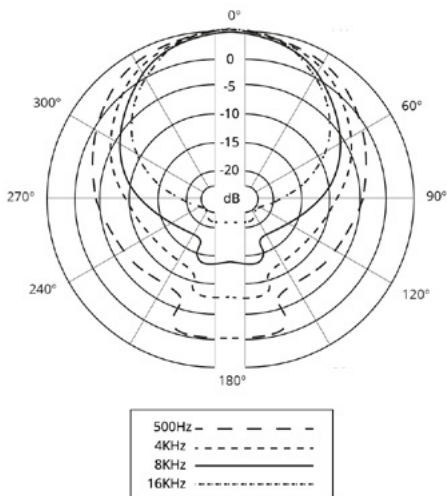
Maximum SPL for THD 0.5%: 132dB

Studio Microphone

Frequency Response



Polar Pattern



IMPORTANT SAFETY WARNING – NEODYMIUM MAGNETS

The Element Pop Shield attaches to the Element microphone using strong Neodymium magnets, safely secured by a custom designed housing in both the Pop Shield and the mic itself. The magnets cannot be exposed under normal use. **However please note the following important safety precautions:**

1. Heart pacemakers

Neodymium magnets can have a dangerous effect on medical implants such as pacemakers. Please ensure the Pop Shield is never in close proximity to any such device.

2. Children

All Neodymium magnets should be kept away from children at all times as swallowing or direct contact carry significant health hazards.

Should your Element Pop Shield become damaged, please contact Aston Microphones Ltd on 0845 500 2500 or email support@astonmics.com

Element Accessories

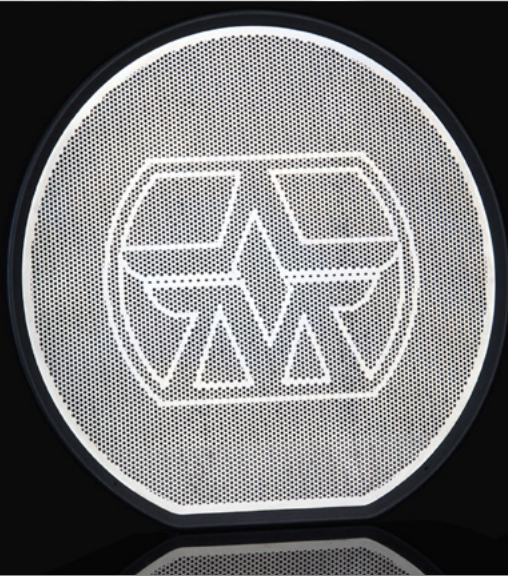
The Element bundle comes supplied with an ingenious magnetic pop shield and a proprietary design clip-on shock mount developed specifically for Element.

Aston Element Pop Filter

The proprietary magnetic Pop Filter attaches to Element in a split second to eliminate unwanted plosives and 'esses'. It automatically attaches in exactly the correct position for use, and the magnets used to achieve this are shielded from the mic's capsule to ensure the audio remains completely free of artefacts. You can turn the pop shield upside down on the mic when recording instruments, so you don't have to keep putting it away between takes.

Aston Element Shock Mount

The specifically designed ergonomic Shock Mount clips quickly and easily to your Element, and is extremely effective at stopping unwanted vibrations reaching the mic.



Aston Accessories

Features:

- Aston SwiftShield (Universal Shock Mount and Pop Filter Set), Aston Shield GN (Pop Filter and Gooseneck) and Aston Swift (Universal Shock Mount)
- Universal mic mount - fits mics 40 to 60 mm diameter (full list of compatible mics on www.astonmics.com)
- Ultimate mechanical isolation with Aston's 'ShockStar' technology
- Super-hardwearing Aluminium and glass-fill nylon construction
- Ultra-swift proprietary mounting system
- Solid stainless steel pop shield with 'Hextech' filter holes
- Deluxe gooseneck mounts to any stand

Weights & Measures

| | SwiftShield | | Shield GN | | Swift | |
|-------------------------------|-------------|---------------|-------------|---------------|-------|--------|
| Product length (assembled) | 175mm | 6.89in | 135mm | 5.31in | 170mm | 6.69in |
| Product width (assembled) | 145mm | 5.71in | 60mm | 2.36in | 145mm | 5.71in |
| Product height (assembled) | 160mm | 6.30in | 530mm | 20.87in | 60mm | 2.36in |
| Product weight | 190g | 0.42lb | 270g | 0.6lb | 140g | 0.31lb |
| Shield surface area | 158 x 135mm | 6.22 x 5.31in | 158 x 135mm | 6.22 x 5.31in | n/a | n/a |
| Gooseneck length | n/a | n/a | 392mm | 15.43in | n/a | n/a |
| 100% recycleable blister pack | 90g | 0.2lb | 90g | 0.2lb | 90g | 0.2lb |





Aston SwiftShield, Shield GN & Swift

Aston SwiftShield combines the Aston Swift shock mount and the Aston Shield pop filter into one bundle, to give you the perfect set up for your studio vocal mic.

The Aston Swift shock mount takes microphone mounting to the next level of ease. With 2 quick release spring clips designed to fit a wide range of mics, from 40-60 mm diameter, mounting your microphone takes seconds.

We have reconceived the shock system, and as with all our products worked from the ground up on an entirely new design idea. The 'ShockStar' suspension eliminates the need for fiddly rubber bands, but offers a high level of elasticity for maximum isolation. As with all Aston products, the use of novel materials and our unique, architectural, approach to design is setting new standards for the industry.

The pop filter itself features a unique, solid stainless steel shield, with precisely acid etched hexagonal filter holes, to give crystal clear vocals, with perfect acoustic performance for plosive (pop) control. It also presents a large surface area and curves around the mic, so vocalist movement is never an issue. Together with your mic, the Aston SwiftShield set will give you everything you need for vocal mic applications, and really make your set up stand out from the crowd.

The Aston Shield GN pop filter has been engineered to give you a perfect fit on any mic stand in seconds and has one of the best quality goose-necks you'll ever see... no more limp or hanging pop shields, no more fiddly thumb screws... The Aston Shield GN has a big, sturdy, crocodile clip to mount quickly and easily onto mic stands of any shape or size, and has an exceptionally well-engineered goose-neck support with matte-black rubberised finish, which stays exactly where you put it. You'll LOVE using this product.



Aston Halo & Halo Shadow

Features:

- Hi Tech construction with patented PET felt
- Radically improves isolation
- Double curved form improves isolation top and bottom as well as at the sides
- Much bigger surface area and depth of acoustic material
- Better diffusion, for both direct source and primary reflections to the rear of the filter
- Lightweight
- Proprietary 'easy-mount' hardware also accommodates your microphone mounting hardware

Weights & Measures

| | Aston Halo | | Aston Halo Shadow | |
|---|------------|---------|-------------------|---------|
| Product depth | 302mm | 11.89in | 302mm | 11.89in |
| Product width | 530mm | 20.87in | 530mm | 20.87in |
| Product weight | 1.85kg | 4.08lb | 1.85kg | 4.08lb |
| 100% recyclable and biodegradable card box (84% recycled fibre) | 2.25kg | 4.96lb | 2.25g | 4.96lb |
| 100% recyclable and biodegradable covering box | 0.8kg | 1.77lb | 0.8kg | 1.77lb |





Aston Halo & Halo Shadow

The Aston Halo/ Halo Shadow microphone screen is designed to address the shortcomings of other 'reflection filter' style products combining low weight with minimal audio colouration.

Designed, engineered and tested in the UK, the Halo combines modern advances in material technology and production, cutting edge patented manufacturing processes and rigorous acoustic testing to bring you the ultimate in portable acoustic devices.

Using patented PET Felt and beautifully engineered hardware components, your Aston Halo has been created to the most exacting standards. PET felt is one of the most lightweight and efficient, technical acoustic products available on the global market today. An additional side benefit is that PET acoustic felt is made from 70% recycled PET plastic bottle material and so is also very environmentally friendly.

The Halo is actually made from two PET felt shells, with 100mm of loose PET acoustic material sandwiched internally. These rigid shells provide the structure as well as the absorbing surface, removing the need for any internal support, making Halo incredibly light and strong. Halo's hardware allows easy, fast and stable mounting. Every Aston Halo is individually tested during manufacture to ensure reliable and consistent performance and the most musical sound capture possible.

The Halo offers radically improved performance while maintaining the green credentials of our manufacturing process (as with our mic packaging which is 100% recyclable and 84% recycled material). It also contributes both sonically and visually to the creative environment, helping the artist to get the best from every take. In our opinion, the Halo offers the very best possible solution for portable room acoustics available today.

How to setup and use my Aston Halo

The Halo can greatly improve the quality of recordings made in untreated or partially treated rooms. To get more information about how to setup and use the Aston Halo reflection filter please visit:

<https://www.astonmics.com/EN/product/Halo/Halo#tab4>

Using Your Aston Microphone

If you are an experienced audio practitioner, then you'll need little instruction in using Aston microphones - just apply standard 48 Volt Phantom power to our capacitor models and you're in business. For the Spirit and Origin models, the Aston badge denotes the front of the microphone when using cardioid pattern for main vocals, guitars and so on. When using the Spirit in figure-of-eight mode, the logo denotes the 'positive' side of the microphone. The Starlight is end-fire, meaning that it needs to be aimed directly at the sound source where the laser helps with exact placement.

You can find detailed information on using your Aston product, and hints & tips on setting up for best results, here:

<https://www.astonmics.com/EN/product/Mics/Origin#tab4>

<https://www.astonmics.com/EN/product/Mics/Spirit#tab4>

<https://www.astonmics.com/EN/product/Mics/Starlight#tab4>

Microphone Terminology & General Care

Microphone Terminology

Pad: The pad switch on a microphone reduces its output level, which is often necessary when working close to very loud sound sources such as kick drums, guitar amplifiers or brass instruments. At very high sound levels the electrical signal generated by the microphone can cause distortion both in the microphone circuitry itself and in the pre-amp to which it is connected. If your pre-amp meters indicate a safe level but you are still hearing distortion, then try the 10dB pad position. Mics that have a 20dB pad setting can deal with even higher sound levels, but unless you are in the habit of recording tank battles at close quarters, you'll probably find that the 10dB pad does the trick. Do not use the pad when working with quiet or moderate level sounds as under those circumstances it may lead to slightly more background noise (circuit hiss).

Low-cut Filter: The low cut filter reduces the level of signals at the bottom of the audio spectrum and in most cases will have little or no effect on the tonality of vocal recordings. Its purpose is to reduce the level of those very low frequencies

that you don't need to capture, and unless you are recording bass instruments or kick drums, you can usually leave the filter engaged. Where the mic has two filter settings, try both and use the highest one if you can't hear any tonal changes in what you are recording. When recording vocals a low-cut filter will reduce rumble from traffic noise or from vibrations passing up the mic stand from the floor and will also compensate for the bass lift that occurs naturally when a cardioid pattern mic is used close to the mouth. It can also help reduce the effect of 'popping' when enunciating M, P and B sounds, though a separate pop screen is to be recommended where the singer works close to the microphone.

General Care

While Aston microphones are amongst the most durable capacitor microphones on the market, they should still be handled with care. If cleaning is required, use only a damp cloth or pre-moistened screen wipe pads and avoid harsh or solvent based cleaners. Also never spray any type of contact cleaner or polish near the capsule or basket area.

The high impedances inside capacitor microphones make them susceptible to moisture or condensation, so if you hear any strange crackling sounds, leave the mic to dry out in a warm room. This is particularly important when moving a microphone from a cold vehicle to a warm studio where a vocalist's damp breath can otherwise cause problems. Once dried out the performance should return to normal.

Obviously dropping microphones is to be avoided but one advantage of the Origin and Spirit basket design is that the outer Wavespring is designed to deform if subjected to a knock or impact, thus absorbing much of the energy. This can easily be pushed back into place making dented baskets a thing of the past. When not in use, it is good practice to store microphones in their boxes or to cover them with a plastic bag to avoid the ingress of dust.

When using a typical boom stand, make sure that the boom is aligned with one of the three legs as this provides the most stable configuration and reduces the risk of toppling.





ASTON MICROPHONES



BUILT IN BRITAIN

3 Hunting Gate, Hitchin, Hertfordshire, SG4 0TJ, United Kingdom

Tel. +44 (0)845 500 2 500

www.astonmics.com