

PEARL DRUM PEDAL

P-932 / P-932L / 931

Instruction Manual

Congratulations on your purchase!

To get optimum performance from your P-932 / P-932L / P-931 Drum Pedal, please read this Instruction Manual before playing.

DuoBeat Beater (2-Surface Beater)

The DuoBeat Beater features a Felt Surface (A) for a full, warm sound and a Plastic Surface (B) for a sharper, punchier sound. Use the side that best suits your playing style (Fig.1).

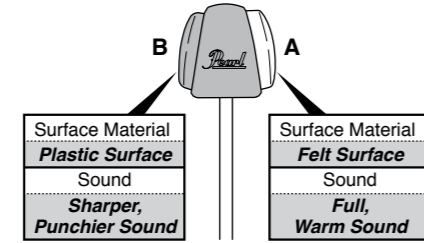


Fig. 1

Beater Setting

Insert the shaft of the DuoBeat Beater into the Beater Holder Link and tighten the Key Bolt with the provided Drum Key to secure the Beater at the desired height. Experiment with different Beater heights to find the best combination of power and speed (Fig.2).

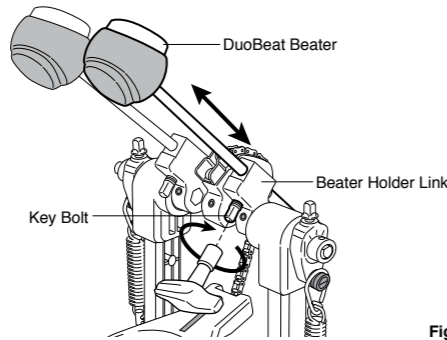


Fig. 2

Beater Angle Adjustment

Depending on your preference, the Beater can be positioned closer or farther away from the Bass Drum Head. This is accomplished by loosening the Key Bolt on the Beater Angle Cam and swinging the Beater to the desired angle. Re-tighten the Key Bolt to secure the angle (Fig.3).

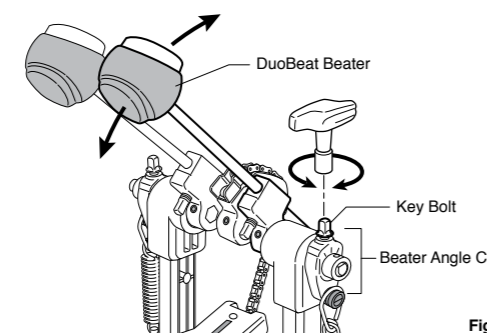


Fig. 3

Connecting the Drive Shaft Assembly

Connect the ends of the Drive Shaft (A) to the short extensions (B) on the Main and Slave Side Pedals. You may need to rotate the Cam on the Slave Side Pedal to bring the footboard of the Slave Side (left) Pedal to the proper playing height (angle) before attaching the Drive Shaft Joints (A) to both pedals. Tighten Key Bolt ① with the provided Drum Key and then Key Bolt ② (Figs.4, 5).

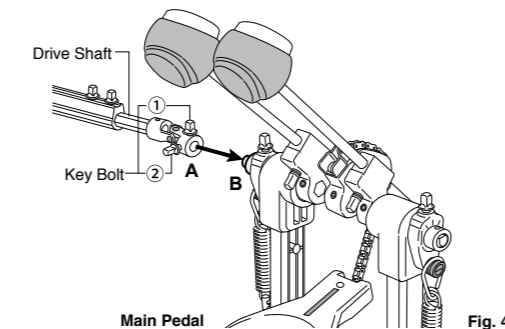


Fig. 4

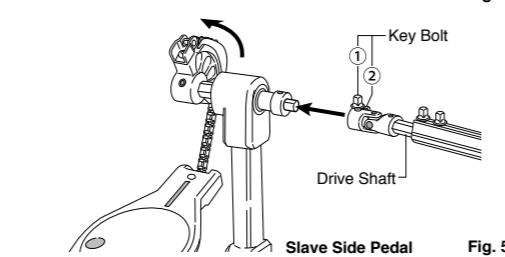


Fig. 5

To adjust the length of the Drive Shaft, loosen the Key Bolts on the Center Connecting Tube of the Drive Shaft Assembly with the provided Drum Key and adjust the distance between the Main Pedal and the Slave Side Pedal to your liking. Make sure to re-tighten the Key Bolts after making the adjustment (Fig.6-A).

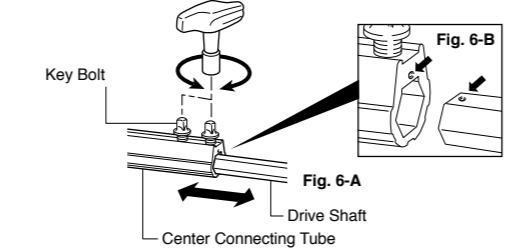


Fig. 6-A

NOTE

If the Drive Shafts are extended too far, they will separate from the Center Connecting Tube. Reassemble them with the dots aligned as shown in Fig.6-B.

Spring Tension Adjustment

The P-932 Drum Pedal features Pearl's patented Click Lock spring tension retention system. To increase the spring tension, disable the Click Lock by lifting the lever upward, loosen the Upper Nut and tighten the Lower Nut until the desired tension is achieved (Fig.7). To decrease spring tension, disable the Click Lock by lifting the lever upward, loosen the Upper Nut and loosen the Lower Nut until the desired tension is achieved. When the desired spring tension is achieved, tighten the Upper Nut to keep the spring tension from loosening then press the Click Lock lever down to engage the grooves around the Lower Nut until you feel the lever "Click" (Fig.7-A). Before playing, make sure that both Upper and Lower Nuts are tight and the Click Lock lever is in a vertical position with both sides of the lever engaged in the grooves around the Lower Nut.

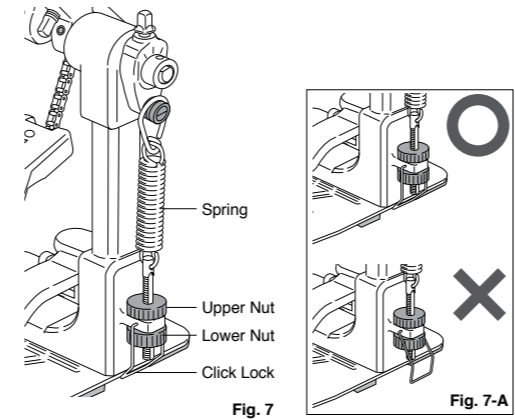


Fig. 7

Hoop Clamp Wing Bolt

Place the Pedal on the Bass Drum Hoop and square the Pedal to the floor. Tighten the Wing Bolt to clamp the Pedal firmly in place (Fig.8).

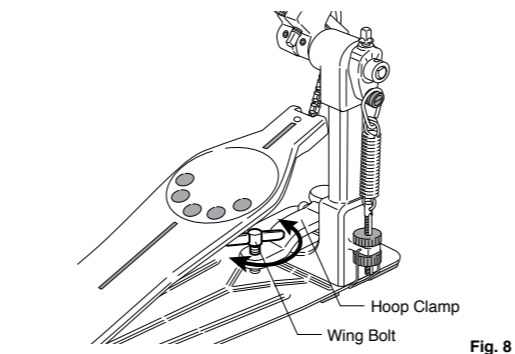


Fig. 8

NOTE

Make sure to remove the Pedal when moving the Bass Drum to prevent damage to the Bass Drum and the Pedal.

PowerShifter

The P-932 Drum Pedal is equipped with Pearl's patented PowerShifter Function that changes the leverage of the Footboard and thus the feel of your pedal. By default, it's set to the (A) position (Fig.9-A). To change to the (B) position, remove the two Flat Head Screws under the Base Plate using the provided Hex Wrench (3mm). Move the Footboard toward the front of the pedal and insert the guides under the Heel into the appropriate holes in the Base Plate and reattach the Flat Head Screws (Fig.9-B). Tighten the Screws securely with the provided Hex Wrench.

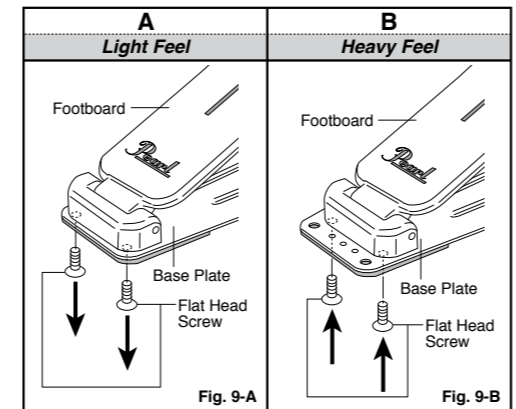


Fig. 9-A

Fig. 9-B

Anchor Bolt

The Slave Side Pedal is equipped with Anchor Bolts with spikes for slip resistance. Turn the Bolts clockwise to expose the spikes (Fig.10).

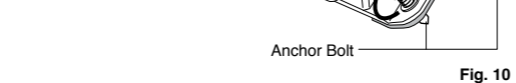


Fig. 10

CAUTION

The Spikes on the Anchor Bolts are sharp. Be careful not to hurt yourself or others when using them. Use them only on thick carpeted surface to prevent damage to the flooring underneath.

Interchangeable Cam System

The P-932 Drum Pedal is equipped with Pearl's Patented Interchangeable Cam system which allows you to change the feel and action of the pedal. It comes from the factory with the Orange Cam installed, which is an "Off-Centered" cam design with light feel in the beginning that accelerates with power and speed at impact. Removing the Orange Cam reveals Pearl's "Perfect Circle" Cam that's renowned for its power and natural, balanced action. To remove the Orange Cam, insert the provided Hex Wrench (2.5mm) into the center of the Orange Cam between the gap of the Chain and loosen the Screw (Fig.11-A). Pull the Orange Cam straight up and away from the Chain (Fig.11-B). Reverse the steps to reattach the Orange Cam.

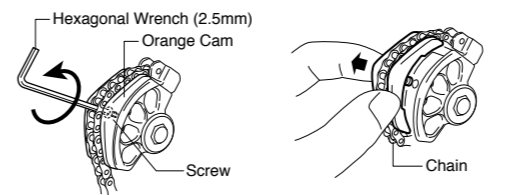


Fig. 11-A

Fig. 11-B

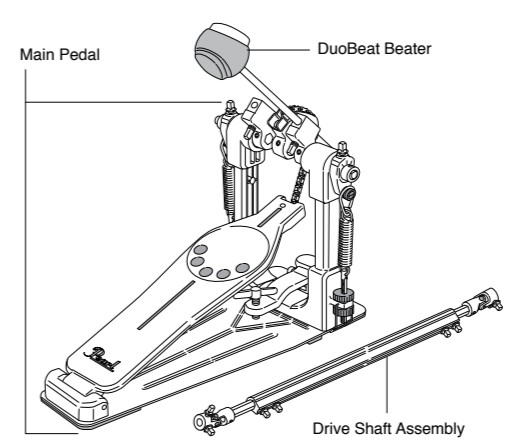
TIP

The Orange Cam can be attached with either end up.

The P-931 Add-on Pedal Converts Your P-930 Single Pedal into a Double Pedal.

The P-931 includes the following components:

- Main Pedal
- DuoBeat Beater
- Drive Shaft Assembly



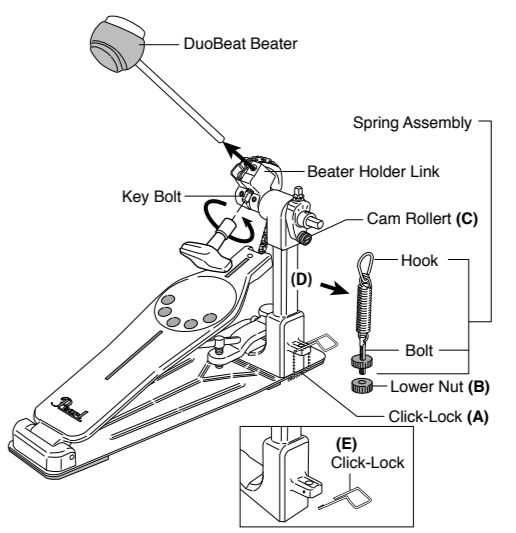
TIP

The P-931 includes only one DuoBeat Beater.

Converting Your P-930 Single Pedal to the Slave Pedal

Loosen the Key Bolt on the Beater Holder Link with the provided Drum Key and remove the DuoBeat Beater and the Key Bolt. Disengage the Click-Lock (A) and remove the Lower Nut from the Bolt (B). Take the Hook off from the Cam Roller (C) and remove the Spring Assembly from the Post (D). Gently spread the Click-Lock apart and remove it from the Post (E).

Please refer to (Figs.4-6) to attach the Drive Shaft.



TIP

Please retain the parts that were removed from the P-930 (Key Bolt, Click-Lock, Spring Assembly) should you decide to restore it to a Single Pedal.

Optional Items (sold separately)

- Pedal Stabilizer (PS-85)

NOTE

Periodically apply lube to parts such as the Chain, Bolts and Nuts, Footboard Hinge and Bearings.



http://www.pearldrums.com
Products and specifications are subject to change without notice.
Printed in China