



SY-300 GUITAR SYNTHESIZER

Owner's Manual

Getting Ready	2
Connect the Equipment	2
Basic Operation Guide	3
Switching the Display	3
Setting the SY-300's Output	4
Input Settings When Connecting a Bass	4
Playing	4
Playing a Patch	4
Selecting a Patch	4
Editing: Basic Operation	5
Select the Effect That You Want to Edit	5
Select an Item	5
Edit the Value	5
Editing: SYNTH/FX	6
Signal Flow	6
Editing OSC1-3 (Synth Sound)	6
Selecting and Editing Parameters	6
Editing the Sound Using the Blender Function	7
Editing FX (Effects)	7
FX List	7
Saving a Patch	7

Editing: MENU	8
System Settings	8
Specifying the Operation of the [ON/OFF] Switch	8
Assigning Favorite Parameters to Parameter Knobs [1]-[4]	8
Adjusting the Contrast (Brightness) of the Display	8
Turning Off the Auto Off Function	8
Preventing Inadvertent Operation During Performance (Tuner Lock, Select Knob Lock)	8
Restoring the Factory Default Settings (Factory Reset)	8
Editing: Assigning Favorite Parameters to the Switches and External Pedals	9
Changing the Function of the [▼/CTL2] [▲/CTL3] Switches	9
Connecting the SY-300 with an External MIDI Device	9
Operations from the SY-300	9
Operations from an External MIDI Device	9
Connecting to a Computer	10
Installing the USB Driver	10
Connecting to a Computer	10
Using the SY-300 as an Audio Interface	10
USB Audio Flow	10
Error Messages	11
USING THE UNIT SAFELY/IMPORTANT NOTES	11
USING THE UNIT SAFELY	11
IMPORTANT NOTES	11
Main Specifications	12

A guitar synthesizer that you can use with normal guitar pickups

The SY-300 is a guitar synthesizer that you can use with a conventional electric guitar. It does not require a special pickup.

Synthesizer sound that reflects the natural nuances of your playing

Since the SY-300 processes the signal from your guitar pickups, its sound reflects the natural nuances of your playing. In addition, it responds to your picking without any delay (latency).

Built-in multi-effects

High quality effects are built in (p. 7). You can produce an incredible diversity of sounds without needing any additional equipment.

Simple operations with a computer using dedicated software

You can control the SY-300, edit tones, and manage patches using dedicated software. You can also download a wide variety of patches from BOSS TONE CENTRAL, our dedicated patch download website (p. 10).

Owner's Manual (this document)

Read this first. It explains the basic things you need to know in order to use the SY-300.

PDF Manual (download from the Web)

- **Parameter Guide (English)**
This explains the parameters of the SY-300.
- **Sound List (English)**
This is a list of the sounds built into the SY-300.
- **MIDI Implementation (English)**
This is detailed information about MIDI messages.

To obtain the PDF manual

1. Enter the following URL on your computer.
<http://www.boss.info/manuals/>
- ▼
2. Choose "SY-300" as the product name.

Before using this unit, carefully read "USING THE UNIT SAFELY" and "IMPORTANT NOTES" (leaflet "USING THE UNIT SAFELY" and Owner's Manual (p. 11)).

© 2015 Roland Corporation

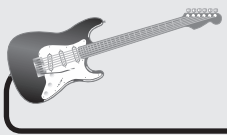
Getting Ready

Connect the Equipment

* To prevent malfunction and equipment failure, always turn down the volume, and turn off all the units before making any connections.

INPUT jack


Connect your guitar/bass here.



MAIN OUTPUT jacks/SUB OUTPUT jacks

Connect these jacks to your guitar amp, headphones (sold separately), or to PA (LINE).

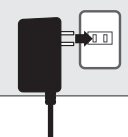
- * Connect your headphones to the MAIN OUTPUT L/PHONES jack.
- * If your system is monaural, use only the R/MONO jack.
- * If you're using headphones, don't connect anything to R/MONO.



DC IN jack

Connect the included AC adaptor here.

- * Use only the included AC adaptor. Using any other adaptor may cause overheating and malfunction.




[LIFT/GND] switch

Normally, you can leave this set to the GND position. If you've connected the THRU/RETURN jacks to an effect processor or an amp, a ground loop may occur, producing noise. If this occurs, you may be able to eliminate the noise by moving this switch to the LIFT position.

THRU/RETURN jacks

Connect an external effect processor here.




MIDI IN, MIDI OUT/THRU connectors

Connect an external MIDI device here.

➔ "Connecting the SY-300 with an External MIDI Device" (p. 9)

USB (USB) port

Use a commercially available USB 2.0 cable to connect this port to your computer. It can be used to transfer USB MIDI and USB audio data (p. 10).



Turning the Power On/Off

This turns the power on/off.

- * After you've made connections correctly, be sure to **turn on the power in the order of the SY-300 first, and then the connected system**. Powering-on in the incorrect order may cause malfunctions or damage. When turning the power off, **power-off the connected system first, and then the SY-300**.
- * This unit is equipped with a protection circuit. A brief interval (a few seconds) after turning the unit on is required before it will operate normally.
- * Before turning the unit on/off, always be sure to turn the volume down. Even with the volume turned down, you might hear some sound when switching the unit on/off. However, this is normal and does not indicate a malfunction.

Auto Off function

The power to this unit will be turned off automatically after a predetermined amount of time has passed since it was last used for playing music, or its buttons or controls were operated (Auto Off function). If you do not want the power to be turned off automatically, disengage the Auto Off function (p. 8).

- * Any settings that you are in the process of editing will be lost when the power is turned off. If you have any settings that you want to keep, you should save them beforehand.
- * To restore power, turn the power on again.


EXP /CTL 4, 5 jack (Connecting to External Pedals)

You can control various parameters by connecting an expression pedal (Roland EV-5: sold separately) or a footswitch (FS-5U, FS-6, FS-7: sold separately) to the EXP/CTL 4, 5 jack.

➔ For details on the settings, refer to "Editing: Assigning Favorite Parameters to the Switches and External Pedals" (p. 9).


When connecting EV-5

* Use only the specified expression pedal (Roland EV-5: sold separately). By connecting any other expression pedals, you risk causing malfunction and/or damage to the unit.




When Connecting an FS-5U

Cable: 1/4" phone type ↔ 1/4" phone type




When Connecting Two FS-5Us

Cable: Stereo 1/4" phone type ↔ 1/4" phone type x 2




When Connecting an FS-6


Cable: Stereo 1/4" phone type ↔ Stereo 1/4" phone type




When Connecting an FS-7

Cable: Stereo 1/4" phone type ↔ 1/4" phone type x 2






POLARITY switch



MODE/POLARITY switch



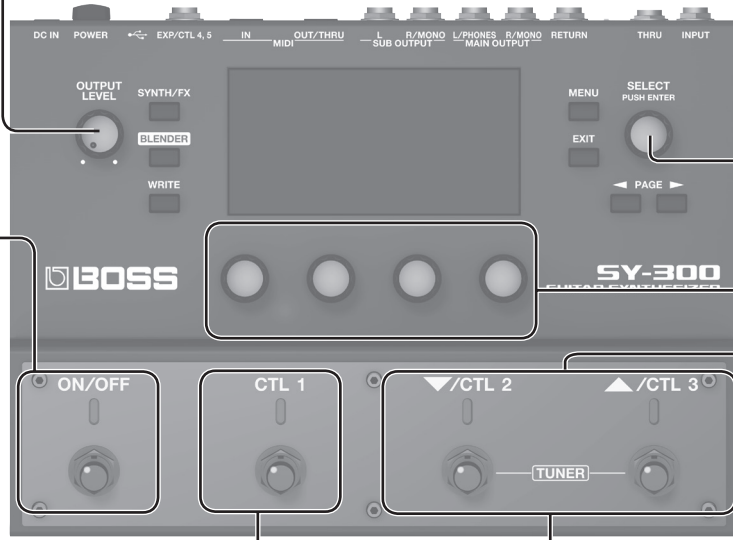
MODE/POLARITY switch

Basic Operation Guide

Adjusting the volume
This adjusts the volume.

Switching the guitar synthesizer on and off
Switches the guitar synthesizer on and off.

Using the switches for control (CTL switch)
By default, the [CTL] switch controls a function that's assigned by each patch.
* You are free to assign the pedals to other functions if you like.
→ "Editing: Assigning Favorite Parameters to the Switches and External Pedals" (p. 9)



Selecting a patch
You can recall the SY-300's various sounds as "patches" (p. 4).

1. With the play screen displayed, use the [SELECT] knob or the [▼/CTL2] [▲/CTL3] switches to select a patch.

Editing the value
Use parameter knobs [1]–[4] to edit the values of the parameters that are shown in the screen.



Using the Tuner

To enter the tuner screen, press the [▼/CTL2] [▲/CTL3] switches simultaneously.

1. Press the [▼/CTL2] [▲/CTL3] switches simultaneously.
* From the play screen (p. 4) you can also enter the tuner screen by pressing [◀].
2. Play an open string, and tune it so that only the center indicator in the screen is lit.



Setting the standard pitch

In Tuner mode, you can turn the parameter knob [1] to change the standard pitch of the tuner.

Pitch
435–445 Hz (default: 440 Hz)

Output setting

In the tuner screen, you can also change the output setting for when the tuner is in use by turning parameter knob [4].

OUTPUT	Explanation
MUTE	Sound will not be output while tuning.
BYPASS	While tuning, the sound of the guitar being input to the SY-300 will be output without change. All effects will be off.

- * So that you don't accidentally enter the tuner screen while you're performing, you can make a setting that prevents you from entering the tuner screen even if the [▼/CTL2] [▲/CTL3] switches are pressed simultaneously.
→ "Preventing Inadvertent Operation During Performance (Tuner Lock, Select Knob Lock)" (p. 8)
- * If either the [▼/CTL2] or the [▲/CTL3] switch has been changed to the CTL function, it is not possible to enter the tuner screen even by pressing the [▼/CTL2] and [▲/CTL3] switches simultaneously.
→ "Changing the Function of the [I/CTL2] [H/CTL3] Switches" (p. 9)

Switching the Display

You can use the [◀] [▶] buttons to switch the screens in the display.

Tuner screen

Tune your guitar.



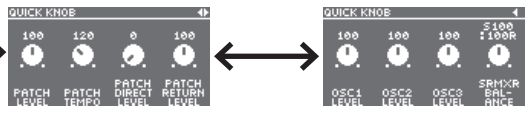
Play (patch select) screen

Select a patch.
→ "Playing a Patch" (p. 4)



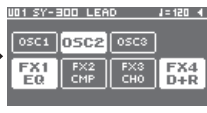
Quick page

Here you can assign the desired parameters to the parameter knobs [1]–[4]. There are two Quick pages, allowing you to assign a total of eight parameters.
→ "Assigning Favorite Parameters to Parameter Knobs [1]–[4]" (p. 8)



ON/OFF status indication screen

Shows the ON/OFF states of OSC1–OSC3 and FX1–FX4.



* The explanations in this manual include illustrations that depict what should typically be shown by the display. Note, however, that your unit may incorporate a newer, enhanced version of the system (e.g., includes newer sounds), so what you actually see in the display may not always match what appears in the manual.

English

日本語

Deutsch

Français

Italiano

Español

Português

Nederlands

Setting the SY-300's Output

Make the output setting that's appropriate for the device you're connecting to the MAIN OUTPUT jacks and SUB OUTPUT jacks.

* For details on the basic operation for this setting, refer to "Editing: Basic Operation" (p. 5).

1. Choose [MENU] → "SYSTEM" → "OUTPUT."
2. Use the [SELECT] knob or PAGE [◀] [▶] buttons to access the first page.
3. Use parameter knob [4] to select the type of equipment connected to the MAIN OUTPUT jacks and the SUB OUTPUT jacks.

Parameter	Value	Explanation
OUTPUT SELECT	LINE (default setting)	Choose this setting if you're using headphones, or if the SY-300 is connected to monitor speakers, mixer, or digital recorder.
	AMP	Choose this setting if the SY-300 is connected to the guitar input of a guitar amp.

MEMO

- The "OUTPUT SELECT" setting is common to both MAIN OUTPUT and SUB OUTPUT.
- The OD/DS effect of FX1–FX4 provides an independent amp simulator. For details, refer to "SY-300 Parameter Guide" (PDF).

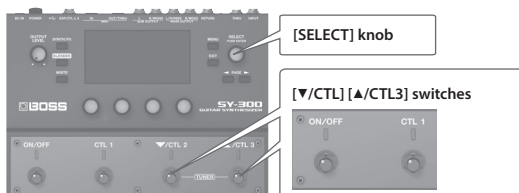
Playing

Playing a Patch

Let's try out the various sounds (patches) that the SY-300 contains.

Selecting a Patch

1. Use the [▼/CTL2] [▲/CTL3] switches or [SELECT] knob to select a patch.



Input Settings When Connecting a Bass

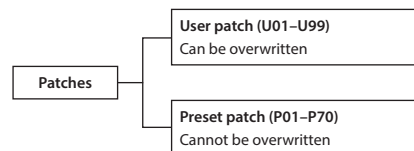
If you're using the SY-300 with a bass, make the following input settings.

* For details on the basic operation for this setting, refer to "Editing: Basic Operation" (p. 5).

1. Choose [MENU] → "SYSTEM" → "INPUT SENS."
2. Use the [SELECT] knob or PAGE [◀] [▶] buttons to access the third page.
3. Use parameter knob [4] to turn the "BASS" on.

What is a Patch?

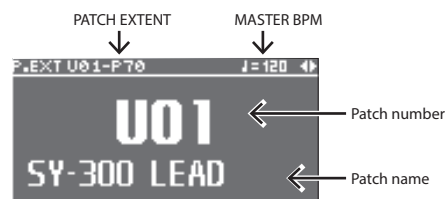
The SY-300 contains numerous sounds. A combination of the settings of a sound is called a "patch."



There are two types of patches: preset patches and user patches. Preset patches cannot be overwritten.

About the Play screen

The screen that appears after you turn on the power is called the "Play screen."



Display	Explanation
PATCH EXTENT	This lets you restrict the range of patches that can be selected from the Play screen. You can use this to prevent unwanted patches from being selected during a live performance. [MENU] → "SYSTEM" → "PATCH EXTENT"
MASTER BPM	This is the patch tempo to which delay time or the LFO RATE can be synchronized. [SYNTH/FX] → "MAIN"

For details on PATCH EXTENT and MASTER BPM, refer to "SY-300 Parameter Guide" (PDF).

Editing: Basic Operation

Editing on the SY-300 is very simple. Please take a moment to learn the basic operations.

Select the Effect That You Want to Edit

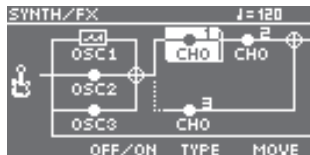
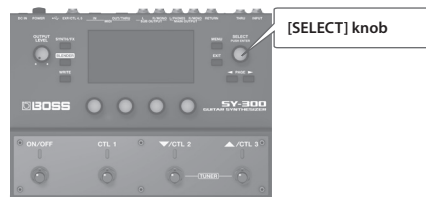
1. Press one of the following buttons.



Buttons	Explanation
[SYNTH/FX] button	Here you can edit the synthesizer or the parameters of each effect.
[MENU] button	This lets you access input and output settings, or let you set the desired functions for external pedals.

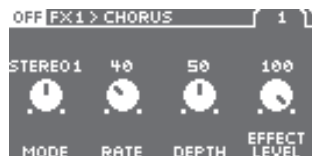
Select an Item

1. Rotate the [SELECT] knob to move the cursor and choose an item.



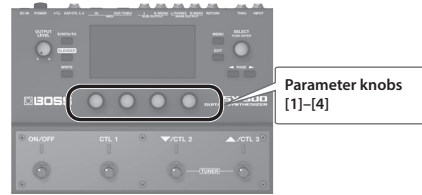
2. After you've chosen an item, press the [SELECT] knob.

Pressing the [SELECT] knob makes it function as the [ENTER] button.



Edit the Value

1. Change the displayed value with parameter knobs [1]–[4].



If the parameters extend across more than one page, use the PAGE [◀] [▶] buttons or the [SELECT] knob to move between pages.

2. Press the [EXIT] button a number of times.

You are returned to the Play screen.

In this manual, the order of operations is written as follows.

Example:

Press the [MENU] button.

Rotate the [SELECT] knob and choose "SYSTEM," and then press the knob.

Rotate the [SELECT] knob and choose "AUTO OFF," and then press the knob.

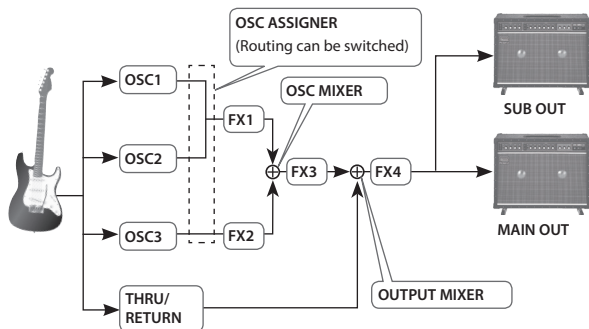


Choose [MENU] → "SYSTEM" → "AUTO OFF."

Editing: SYNTH/FX

Signal Flow

Each SY-300 patch consists of three OSC (oscillator: a synthesizer's sound source) and numerous FX (effects). You can create the sound of the patch by adjusting and combining these parameters.



- * There are up to four FX. FX1-4 and SUB OUT can be placed anywhere after OSC1-3.
- * The direct sound from your guitar is adjusted by the THRU/RETURN (RTN) parameter "DIRECT LEVEL."

Editing OSC1-3 (Synth Sound)

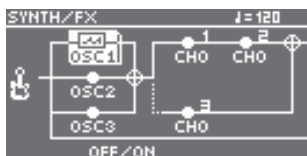
Each OSC1-3 contains numerous parameters, including WAVE/PITCH which determines the waveform and pitch of the synth sound, FILTER which determines the brightness of the sound, and AMP which determines the volume. You'll create a synth sound by adjusting these basic values and specifying how time-varying change will occur.

For details on the parameter, refer to the "SY-300 Parameter Guide" (PDF file).

Selecting and Editing Parameters

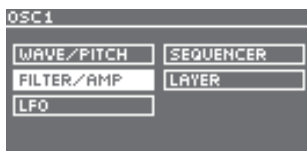
1. Press the [SYNTH/FX] button.

The SYNTH/FX screen appears.



2. Use the [SELECT] knob to select one of "OSC1"- "OSC3," and then press the knob.

A list of the OSC parameters appears.



3. Use the [SELECT] knob to select the parameter that you want to edit, and then press the knob.

The edit screen appears.



4. Use parameter knobs [1]-[4] to edit the values.

5. Press the [EXIT] button a number of times to return to the play screen.

Sound editing tips

Layer function

The SY-300 lets you individually specify the range of pitches in which OSC1-3 produce sound. As on a keyboard synthesizer, you can play different sounds in different pitch ranges, or layer different combinations of sounds.

1. Choose [SYNTH/FX] → "OSC1" → "LAYER."

The edit screen appears.



2. Use parameter knobs [1]-[4] to edit the values.

Knob	Parameter	Value	Explanation
[1]	LFADE	1-60	Specifies the area over which the low range will fade out.
[2]	LOWER	A0-E6	Specifies the lowest note of the range that will sound.
[3]	UPPER	A0-E6	Specifies the highest note of the range that will sound.
[4]	UFADE	1-60	Specifies the area over which the high range will fade out.

- * Hold down the [SELECT] knob and turn it to switch among OSC1, OSC2, and OSC3.

3. Use the same procedure to specify the pitch range for OSC2 and OSC3.

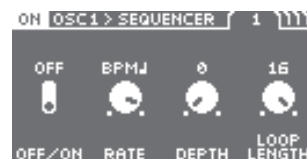
4. Press the [EXIT] button a number of times to return to the play screen.

Sequence function

This is a step sequencer function that plays up to 16 steps of pitches that you specify. By specifying the note length and pitch for each step, you can automatically produce melodies and arpeggios simply by playing a single note on your guitar.

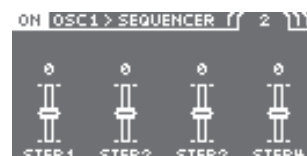
1. Choose [SYNTH/FX] → one of "OSC1"- "OSC3" → "SEQUENCER."

The edit screen appears.



2. Use parameter knobs [1]-[4] to edit the values.

Use the PAGE [◀] [▶] buttons or the [SELECT] knobs to move between pages.



Parameter	Explanation
OFF/ON	Turns the sequence function on/off.
RATE	Specifies the rate at which the sequence pattern repeats.
DEPTH	Adjusts the depth of pitch change.
LOOP LENGTH	Specifies the length (number of steps) that is repeated.
STEP1-STEP16	Specify each pitch to be sounded.

Editing the Sound Using the Blender Function

Sometimes you can find new sounds by accident. The Blender function lets you shuffle the OSC and FX settings of a patch, exchanging them with the settings of a different patch.

1. Press the [BLENDER] button.
2. Use parameter knobs [1]–[4] to specify the number of the patch with which you want to exchange settings.



Knob	Explanation
[1]	
[2]	OSC1–3 settings
[3]	
[4]	Arrangement of effects

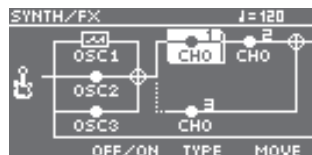
3. If you want to save the resulting sound, save the patch as described in “Saving a Patch” (p. 7).

MEMO

- You can shuffle the settings randomly.
- Press the [SELECT] knob to start shuffling for a certain interval. You can use the PAGE [◀] [▶] buttons to change the speed of shuffling.
 - Press the [SELECT] knob once again to stop shuffling.
 - Rotate the [SELECT] knob to play back the history of up to 100 shuffles.

Editing FX (Effects)

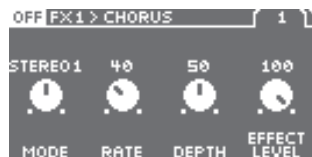
1. Press the [SYNTH/FX] button. The SYNTH/FX screen appears.
2. Use the [SELECT] knob to choose the effect you’re going to edit.



MEMO

- If an effect is selected, turning parameter knob [3] switches the effect type.
- Use parameter knob [2] to turn the effect on/off.
- Use parameter knob [4] to move the position of the effect.

3. With an effect selected, press the [SELECT] knob. The parameters of that effect are displayed.



4. Use parameter knobs [1]–[4] to edit the values. If the parameters extend across more than one page, use the PAGE [◀] [▶] buttons or the [SELECT] knob to move between pages.
5. Press the [EXIT] button a number of times to return to the play screen.

FX List

FX Type	Explanation
CHORUS (CHO)	A slightly detuned sound is added to the original sound to add depth and breadth.
CHORUS+DELAY (C+D)	Combination of CHORUS and DELAY
CHORUS+REVERB (C+R)	Combination of CHORUS and REVERB
COMPRESSOR (CMP)	Produces a long sustain by evening out the volume level of the input signal. You can also use it as a limiter to suppress only the sound peaks and prevent distortion.
DELAY (DLY)	Adds delayed sound to the direct sound, giving more body to the sound or creating special effects.
DELAY+REVERB (D+R)	Combination of DELAY and REVERB
EQ	Adjusts the tone quality.
FLANGER (FL)	Gives a twisting, jet-airplane-like character to the sound.
ISOLATOR (ISO)	An effect that cuts the sound of the specified region.
LIMITER (LIM)	Attenuates loud input levels to prevent distortion.
LO-FI (LF)	An effect that produces a lo-fi sound.
OD/DS (OD)	Distorts the sound to create long sustain.
PAN	With the volume level of the left and right sides alternately changing, when playing sound in stereo, you can get an effect that makes the guitar sound appear to fly back and forth between the speakers.
PHASER (PH)	By adding varied-phase portions to the direct sound, the phaser effect gives a whooshing, swirling character to the sound.
REVERB (REV)	Adds reverberation to the sound.
ROTARY (ROT)	Produces an effect like the sound of a rotary speaker.
SLICER (SL)	Repeatedly cuts the sound to create a variety of slice patterns.
SLOW GEAR (SG)	Produces a volume-swell effect (“violin-like” sound).
TOUCH WAH (TW)	A wah effect is produced according to your picking dynamics.
TREMOLO (TR)	Creates a cyclic change in volume.
UNI-V (UV)	Models a Uni-Vibe. Although this resembles a phaser effect, it also provides a unique undulation that you can’t get with a regular phaser.

Saving a Patch

If you select a different patch or turn off the power after editing the settings, edited settings will be lost. If you want to keep the data, you must save it.

1. Press the [WRITE] button. The save menu appears.
2. Use the [SELECT] knob to select “WRITE,” and press the knob.
3. Use parameter knob [1] to select the save-destination (U01–U99).
* You can’t save to a preset (P01–P70).
4. Edit the patch name. Use the PAGE [◀] [▶] buttons to select the character that you want to edit, and use parameter knobs [2]–[4] to switch the character.

Controller	Operation
Parameter knob [2]	Selects the type of characters.
Parameter knob [3]	Switches you between lowercase/uppercase characters.
Parameter knob [4]	Changes the character.
PAGE [◀] [▶] buttons	Moves the cursor.

5. Press the [WRITE] button to save.

Different ways of saving

Pressing the [WRITE] button lets you use four different types of WRITE operation.

Type	Explanation
WRITE	Saves the edited patch.
EXCHANGE	Exchanges two patches within the user area.
INITIALIZE	This operation initializes a patch.
INSERT	Inserts the edited patch into the desired location of the user area.

NOTE
When you use INSERT to save without overwriting an existing patch, patch U99 “overflows” and is lost, since the number of user patches cannot exceed 99.

Editing: MENU

System Settings

Here you can make settings for input/output, USB, and MIDI, as well as assign the functions of the [CTL] switches and the [ON/OFF] switch, and of an external pedal if connected.

For details on the parameter, refer to the “SY-300 Parameter Guide” (PDF file).

Specifying the Operation of the [ON/OFF] Switch

Here you can specify how output occurs when you select the OFF setting of the top panel [ON/OFF] switch.

1. Choose [MENU] → “SYSTEM” → “OUTPUT.”
2. Use the [SELECT] knob or PAGE [◀] [▶] buttons to access the first page.
3. Use parameter knobs [1] and [2] to select the operation of the MAIN OUTPUT jacks and the SUB OUTPUT jacks respectively.

Parameter	Value	Explanation
MAINOUT OFFMOD Parameter knob [1]	BYPASS	All OSC and FX turn off, and only the dry sound of the guitar input is output to the MAIN OUTPUT jacks.
	SYNTH OFF	All OSC turn off. FX and the FX connection order settings continue to apply. The sound of an external effect unit connected between THRU/RETURN is output.
SUBOUT OFFMOD Parameter knob [2]	MUTE	No sound is output.
	BYPASS	All OSC and FX turn off, and only the dry sound of the guitar input is output to the SUB OUTPUT jacks.
	ALWAYS ON	The operation of the ON/OFF switch is ignored. All OSC and FX remain on. * If MAINOUT OFFMOD is set to SYNTH OFF, the synth sound is not heard from SUBOUT either.

4. Press the [EXIT] button a number of times.

You are returned to the Play screen.

Assigning Favorite Parameters to Parameter Knobs [1]–[4]

You can assign the parameters that are controlled by parameter knobs [1]–[4] when a Quick Page (p. 3) is displayed.

1. Choose [MENU] → “SYSTEM” → “QUICK KNOB.”
2. Use parameter knobs [1]–[4] and PAGE [◀] [▶] buttons to specify the parameters to be controlled by each knob.



Parameter	Explanation
KNOB1–8 TARGET CATEGORY	Select the parameter category.
KNOB1–8 TARGET	Select the parameter.

* KNOB1–4: The knobs of Quick Page 1

* KNOB5–8: The knobs of Quick Page 2

Adjusting the Contrast (Brightness) of the Display

You can adjust the brightness of the display.

1. Choose [MENU] → “SYSTEM” → “LCD.”
2. Adjust the value with the parameter knob [1].

Raising the value (1-16) increases the brightness.

Turning Off the Auto Off Function

The SY-300 can turn off its power automatically. The power will turn off automatically when 10 hours have passed since you last played or operated the unit. The display will show a message approximately 15 minutes before the power turns off. With the factory settings, this function is turned “ON” (power-off in 10 hours). If you want to have the power remain on all the time, turn it “OFF.”

1. Choose [MENU] → “SYSTEM” → “AUTO OFF.”
2. Use parameter knob [1] to select “OFF.”
3. Press the [EXIT] button a number of times.

Preventing Inadvertent Operation During Performance (Tuner Lock, Select Knob Lock)

You can prevent inadvertent operation of the knobs or switches from changing patches or entering the tuner screen while the play screen is displayed.

1. Choose [MENU] → “SYSTEM” → “LOCK.”
2. Use parameter knobs [1] and [2] to turn the setting on/off.

Parameter	Explanation
TUNER LOCK	Prevents the tuner screen from appearing even if switches [▼/CTL2] and [▲/CTL3] are pressed simultaneously.
SELECT KNOB LOCK	Disables [SELECT] knob operation so that patches will not change.

3. Press the [EXIT] button a number of times.

Restoring the Factory Default Settings (Factory Reset)

Restoring the SY-300's settings to their original factory default settings is referred to as “Factory Reset.”

You may restore all settings to their factory-set condition, or you may specify the settings that you want to restore.

* When you execute “Factory Reset,” the settings you made will be lost. Save the data you need to your computer using the dedicated software.

1. Choose [MENU] → “SYSTEM” → “FACTORY RESET.”
2. Use the parameter knob [1] to specify the areas that will be returned to their factory-set state.

Value	Explanation
SYSTEM + PATCH	All settings
SYSTEM	System parameter settings
PATCH	User patch settings

3. Press the [WRITE] button.
If you decide to cancel without executing, press the [EXIT] button.
4. If you want to proceed with the factory reset, press the [SELECT] knob.

Once the Factory Reset is complete, you are returned to the Play screen.

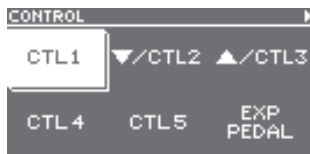
Editing: Assigning Favorite Parameters to the Switches and External Pedals

You can control a variety of parameters by using the SY-300's [CTL] switches, or by connecting an expression pedal (Roland EV-5 etc.: sold separately) or a footswitch (FS-5U, FS-6, or FS-7: sold separately) to the rear panel EXP/CTL 4, 5 jack.

1. Choose [MENU] → "CTL/EXP"



2. Select the switch or external pedal to which you want to assign a function.



Up to six functions can be assigned to each of CTL1–5.

3. Select one of the "ASSIGN" numbers.



4. Use the parameter knobs to specify the function.



Parameter	Value	Explanation
CTL MODE	SYSTEM, PATCH	If this is set to PATCH, different settings can be made for each patch. If this is set to SYSTEM, the same settings are shared by all patches.
ASSIGN OFF/ON	ON, OFF	Switches the function on/off.
ASSIGN MODE	PRESET, MANUAL	Specifies whether one of the preset functions is selected, or a desired function is selected.

For details on the functions that are assigned, refer to "SY-300 Parameter Guide" (PDF file).

Changing the Function of the [▼/CTL2] [▲/CTL3] Switches

You can change the function of the [▼/CTL2] [▲/CTL3] switches from patch up/down to CTL2/CTL3.

1. Choose [MENU] → "CTL/EXP" → [▼/CTL2] or [▲/CTL3].
2. Use the [SELECT] knob or PAGE [◀] [▶] buttons to access the first page.
3. Use parameter knob [1] to select the function.

Switch	Value	Explanation
[▼/CTL2]	PATCH DOWN	The patch number decrements by one each time you step on the switch.
	CTL2	Use as CTL2.
[▲/CTL3]	PATCH UP	The patch number increments by one each time you step on the switch.
	CTL3	Use as CTL3.

Connecting the SY-300 with an External MIDI Device

On the SY-300, you can use MIDI to perform the following operations.

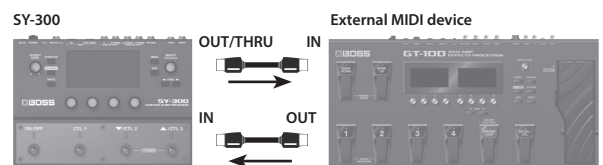
Operations from the SY-300

Operation	Explanation
Transmit program change messages	When you select a patch on the SY-300, a program change message corresponding to the patch number you select is transmitted. The external MIDI device that receives this program change message will switch to the corresponding settings.
Transmit control change messages	Operations of a [CTL] switches, or a footswitch or expression pedal connected to the EXP/CTL 4, 5 jack, are transmitted as control change messages. These messages can control parameters on an external MIDI device.

Operations from an External MIDI Device

Operation	Explanation
Switch patch numbers	When the SY-300 receives a program change message from an external MIDI device, the SY-300 will change patches.
Receive control change messages	The SY-300 can receive control change messages to control a specified parameter while you perform.
Receive data	The SY-300 can receive data that is transmitted from another SY-300 unit, or data that was saved on a MIDI sequencer.

Connection example



Settings

1. Choose [MENU] → "SYSTEM" → "MIDI."
2. Use parameter knobs to specify the value of each parameter.

For details on MIDI, refer to "SY-300 Parameter Guide" (PDF file).

Connecting to a Computer

By connecting the SY-300 to a computer via USB, you can do the following.

- Transmit and receive digital audio signals and MIDI messages between the computer and the SY-300
- Edit and manage patches, and display the “SY-300 Parameter Guide” (PDF file) on a computer using the dedicated software
- Download patches from our dedicated BOSS TONE CENTRAL (<http://bosstonecentral.com/>) website

Installing the USB Driver

You must install the USB driver before connecting to a computer.

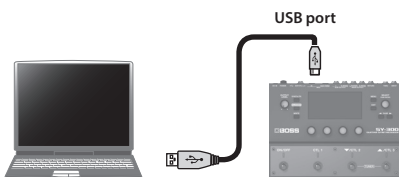
Please download the USB driver from the website shown below. Install this special driver before making a USB connection. For further details, refer to the Readme.htm file that comes with the download.

➔ <http://www.boss.info/support/>

The program you need to use, and the steps you need to take to install the USB driver will differ depending on your computer setup, so please carefully read and refer to the Readme.htm file that comes with the download.

Connecting to a Computer

1. Using a commercially available USB 2.0 cable, connect the USB port of your computer with the USB port of the SY-300.



Using the SY-300 as an Audio Interface

You can record the sound of the SY-300 on your computer, or have sound from your computer be output from the SY-300's MAIN OUTPUT jacks or SUB OUTPUT jacks.

- * For details of the audio signal flow when connected via USB and instructions on how to make settings, refer to “SY-300 Parameter Guide” (PDF file).
- * Refer to the instruction manual for the software you are using to learn how to switch the input source of the software.

Making use of the SY-300's dedicated software

You can easily download patches from our BOSS TONE CENTRAL (<http://bosstonecentral.com/>) website. For details on how to use the software, refer to the Readme.htm file that comes with the download.

Using the dedicated software allows you to do the following:

- Easily download patches from our BOSS TONE CENTRAL website.
- Edit patch settings
- Name patches
- Organize patches in order and switch them around
- Back up patches and system settings, and return to the backed up settings
- Display the “SY-300 Parameter Guide” (PDF file) on your computer

USB Audio Flow

The SY-300 lets you choose one of the four USB audio routings as appropriate for your needs.

1. Choose [MENU] → “SYSTEM” → “USB.”
2. Use parameter knobs [1]–[4] to edit the values.

Parameter	Value	Explanation
MAIN MIX LEVEL	0–200	Adjusts the volume of the digital audio from USB (computer). You can control the volume of the MAIN OUTPUT and SUB OUTPUT individually.
SUB MIX LEVEL		
OUTPUT LEVEL		
ROUTING	STANDARD, MIX, RE-SYNTH, DIRECT OFF	Specifies the routing for USB audio.
MIX OFFMOD	OFF	The digital audio from USB (computer) turns off when you turn the [ON/OFF] switch OFF.
	ALWAYS ON	The digital audio from USB (computer) remains on regardless of the [ON/OFF] switch.

About each routing

Routing	Explanation
STANDARD	<p>Use this setting if you're playing guitar while playing back a song from your computer. The sound from the computer is not output to the computer.</p>
MIX	<p>Use this setting if you're playing guitar while playing back a song from your computer. The sound of the SY-300 and the sound from the computer are mixed and output to the computer.</p>
RE-SYNTH	<p>The dry sound of the recorded guitar is input to the SY-300 and re-synthesized. This is useful when you want to re-edit just the sound.</p>
DIRECT OFF	<p>Use this setting if you want the output processed by a plug-in effect on your DAW to be output to the SY-300's OUTPUT. The SY-300's output is sent only to the computer.</p>

Error Messages

Message	Meaning	Action
MEMORY DAMAGED!	It is possible that the contents of memory have been damaged.	Please execute a Factory Reset. If this does not resolve the problem, contact your dealer or a nearby Roland service center.
MIDI BUFFER FULL!	An unusually large amount of MIDI data was received, and could not be processed.	Reduce the amount of MIDI messages that are being transmitted.
SYSTEM ERROR!	A problem has occurred in the system.	Contact your dealer or a nearby Roland service center.
USB OFFLINE!	Transmissions from the connected device have been interrupted. This message also appears when the power to the connected device has been turned off. It does not indicate malfunction.	Check to make sure no cable is disconnected and that there are no shorts.
MIDI OFFLINE!		
DATA WRITE ERROR!	Writing to the memory for storage of user data failed.	The unit may be damaged. Contact your dealer or a nearby Roland service center.
TUNER LOCKED	Settings have been made to prevent the SY-300 from displaying the tuner screen even when the [▼/CTL2] and [▲/CTL3] switches are pressed simultaneously.	Enter the tuner screen by pressing the PAGE [◀] button, or cancel TUNER LOCK (p. 8).
SELECT KNOB LOCKED!	Settings have been made to prevent the patch from changing even when you turn the [SELECT] knob in the Play screen.	Cancel SELECT KNOB LOCK (p. 8).
MIDI ERROR!	MIDI data could not be received correctly from an external device.	Transmit the MIDI data once again.

USING THE UNIT SAFELY/IMPORTANT NOTES

USING THE UNIT SAFELY

INSTRUCTIONS FOR THE PREVENTION OF FIRE, ELECTRIC SHOCK, OR INJURY TO PERSONS

About ⚠ WARNING and ⚠ CAUTION Notices

⚠ WARNING	Used for instructions intended to alert the user to the risk of death or severe injury should the unit be used improperly.
⚠ CAUTION	Used for instructions intended to alert the user to the risk of injury or material damage should the unit be used improperly. * Material damage refers to damage or other adverse effects caused with respect to the home and all its furnishings, as well to domestic animals or pets.

About the Symbols

	The ⚠ symbol alerts the user to important instructions or warnings. The specific meaning of the symbol is determined by the design contained within the triangle. In the case of the symbol at left, it is used for general cautions, warnings, or alerts to danger.
	The ⚡ symbol alerts the user to items that must never be carried out (are forbidden). The specific thing that must not be done is indicated by the design contained within the circle. In the case of the symbol at left, it means that the unit must never be disassembled.
	The ⚡ symbol alerts the user to things that must be carried out. The specific thing that must be done is indicated by the design contained within the circle. In the case of the symbol at left, it means that the power-cord plug must be unplugged from the outlet.

ALWAYS OBSERVE THE FOLLOWING

WARNING

To completely turn off power to the unit, pull out the plug from the outlet

Even with the power switch turned off, this unit is not completely separated from its main source of power. When the power needs to be completely turned off, turn off the power switch on the unit, then pull out the plug from the outlet. For this reason, the outlet into which you choose to connect the power cord's plug should be one that is within easy reach and readily accessible.



WARNING

Concerning the Auto Off function

The power to this unit will be turned off automatically after a predetermined amount of time has passed since it was last used for playing music, or its buttons or controls were operated (Auto Off function). If you do not want the power to be turned off automatically, disengage the Auto Off function (p. 8).



Use only the supplied AC adaptor and the correct voltage

Be sure to use only the AC adaptor supplied with the unit. Also, make sure the line voltage at the installation matches the input voltage specified on the AC adaptor's body. Other AC adaptors may use a different polarity, or be designed for a different voltage, so their use could result in damage, malfunction, or electric shock.



IMPORTANT NOTES

Repairs and Data

- Before sending the unit away for repairs, be sure to make a backup of the data stored within it; or you may prefer to write down the needed information. Although we will do our utmost to preserve the data stored in your unit when we carry out repairs, in some cases, such as when the memory section is physically damaged, restoration of the stored content may be impossible. Roland assumes no liability concerning the restoration of any stored content that has been lost.

Additional Precautions

- Any data stored within the unit can be lost as the result of equipment failure, incorrect operation, etc. To protect yourself against the irretrievable loss of data, try to make a habit of creating regular backups of the data you've stored in the unit.
- Roland assumes no liability concerning the restoration of any stored content that has been lost.
- Never strike or apply strong pressure to the display.
- Do not use connection cables that contain a built-in resistor.

Intellectual Property Right

- Company names and product names appearing in this document are registered trademarks or trademarks of their respective owners.
- Roland, BOSS, BOSS TONE CENTRAL, and SLICER are either registered trademarks or trademarks of Roland Corporation in the United States and/or other countries.
- MMP (Moore Microprocessor Portfolio) refers to a patent portfolio concerned with microprocessor architecture, which was developed by Technology Properties Limited (TPL). Roland has licensed this technology from the TPL Group.
- ASIO is a trademark and software of Steinberg Media Technologies GmbH.
- This product contains eCROS integrated software platform of eSOL Co., Ltd. eCROS is a trademark of eSOL Co., Ltd. in Japan.

Main Specifications

BOSS SY-300: Guitar Synthesizer

Oscillators	Three OSCILLATOR (wave: SIN, SAW, TRI, SQR, PWM, DETUNE SAW, NOISE, INPUT)
Effects	Effect (FX) x 4 CHORUS, COMPRESSOR, DELAY, EQ, FLANGER, ISOLATOR, LIMITER, LO-FI, OD/DS, PAN, PHASER, REVERB, ROTARY, SLICER, SLOW GEAR, TOUCH WAH, TREMOLO, UNI-V, CHORUS+DELAY, CHORUS+REVERB, DELAY+REVERB
Patch Memories	User: 99 Preset: 70
AD Conversion	24 bits + AF method * AF method (Adaptive Focus method): This is a proprietary method from Roland & BOSS that vastly improves the signal-to-noise (SN) ratio of the AD and DA converters.
DA Conversion	24 bits
Sampling Rate	44.1 kHz
Nominal Input Level	INPUT: -10 dBu RETURN: -10 dBu
Input Impedance	INPUT: 2.2 M ohms RETURN: 220 k ohms
Nominal Output Level	MAIN OUTPUT: -10 dBu SUB OUTPUT: -10 dBu
Output Impedance	MAIN OUTPUT: 2 k ohms SUB OUTPUT: 2 k ohms
LCD	Graphic LCD (132 x 64 dots, backlit LCD)
Connectors	INPUT jack: 1/4-inch phone type THRU jack: 1/4-inch phone type RETURN jack: 1/4-inch phone type MAIN OUTPUT R (MONO) jack: 1/4-inch phone type MAIN OUTPUT L (PHONES) jack: 1/4-inch phone type SUB OUTPUT R (MONO) jack: 1/4-inch phone type SUB OUTPUT L jack: 1/4-inch phone type MIDI (IN, OUT/THRU) connectors EXP/CTL4, 5 jack (1/4-inch TRS phone type) USB port: USB type B DC IN jack
Power Supply	AC adaptor
Current Draw	400 mA
Dimensions	255 (W) x 191 (D) x 70 (H) mm 10-1/16 (W) x 7-9/16 (D) x 2-13/16 (H) inches
Weight	1.75 kg 3 lbs 14 oz
Accessories	AC adaptor Owner's manual Leaflet "USING THE UNIT SAFELY"
Options (sold separately)	Footswitch: FS-5U, FS-6, FS-7 Expression pedal: Roland EV-5

* 0 dBu = 0.775 Vrms

* In the interest of product improvement, the specifications and/or appearance of this unit are subject to change without prior notice.