

fine



T683

User Manual • Užívateľský manuál •
Užívateľský manuál • Használati utasítás •
Benutzerhandbuch

English	3 - 24
Čeština	25 - 47
Slovenčina	48 - 70
Magyar	71 - 93
Deutsch	94 - 116

The product user guide contains product features, how to use, and the operating procedure. Read the user manual carefully to get the best experience and avoid unnecessary damage. Keep this manual for future reference. If you have any questions or comments about the device, please contact the customer line.

✉ www.alza.co.uk/kontakt

☎ +44 (0)203 514 4411

Importer Alza.cz a.s., Jankovcova 1522/53, Holešovice, 170 00 Praha 7, www.alza.cz

What's in the box?



1. 3/8" to 5/8" adapter and 2. Desktop Boom arm



3. Microphone



4. pop Filter



5. Threaded Metal ring



6. C-Clamp

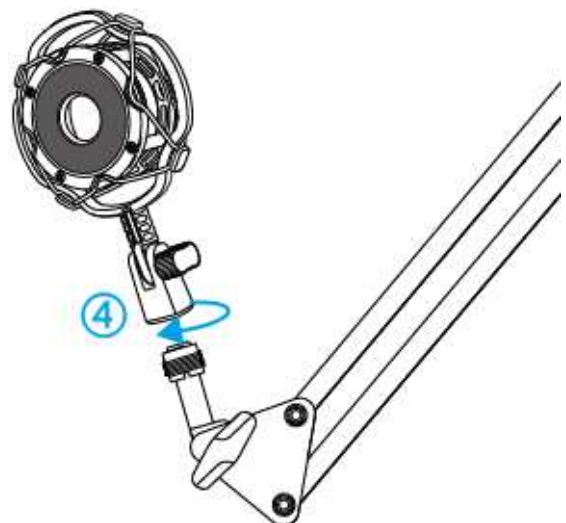
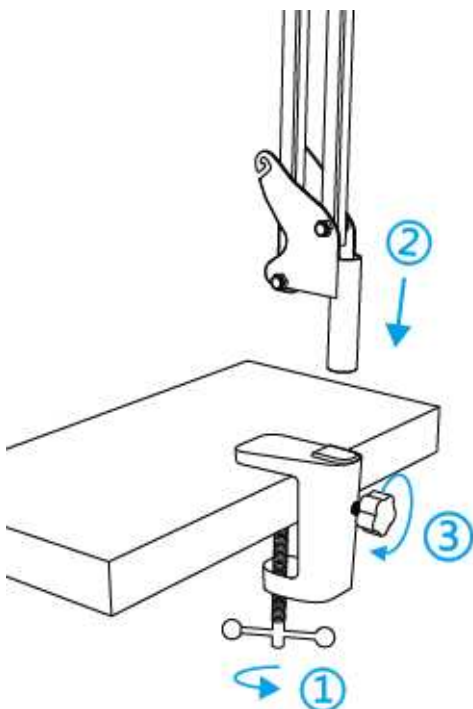


7. 2,5 M USB Cable



8. Shock Mount

Install microphone stand on table



1. Screw the lower part of the C-clamp until it is tight and secure.
2. Insert the desktop boom arm into the hole
3. Fasten the screw
4. Fix shock mount with desktop boom arm

Note:

DON'T rotate the boom arm when the screw on the C- clamp is tightened. Loosen the screw first, adjust the position of the arm, and then tighten it.

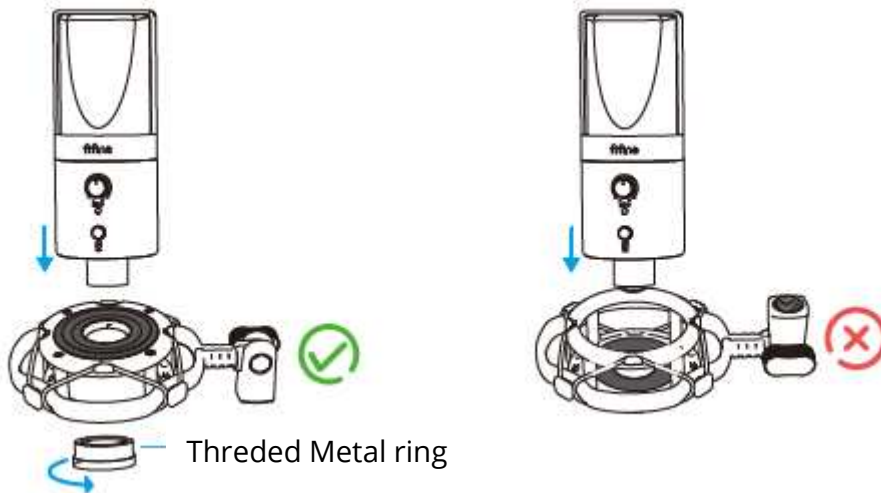
Mount to your desktop via the included C-clamp accurately:

Unscrew the C-clamp and slide it over the side of your desktop, making sure that both the top of the C-clamp and the underside are resting on flat surfaces. Overly rounded or overhanging desktop edges do not make good mounting surfaces.



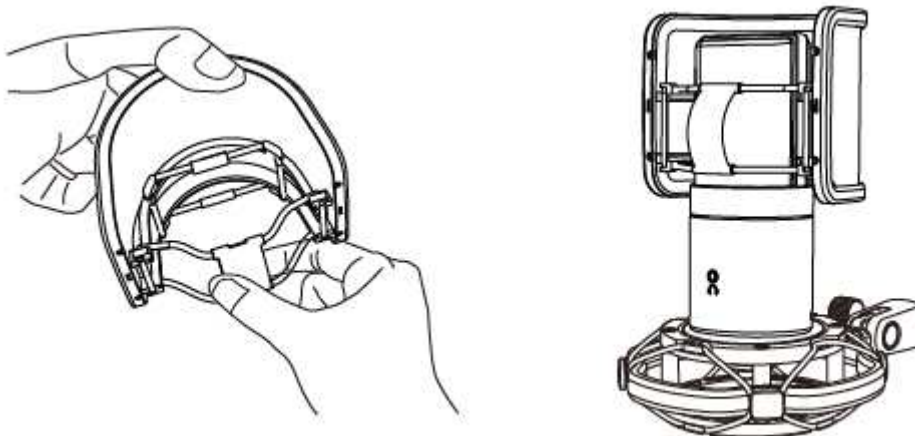
Installation Quick Guide

1. Connect the microphone to the shock mount.



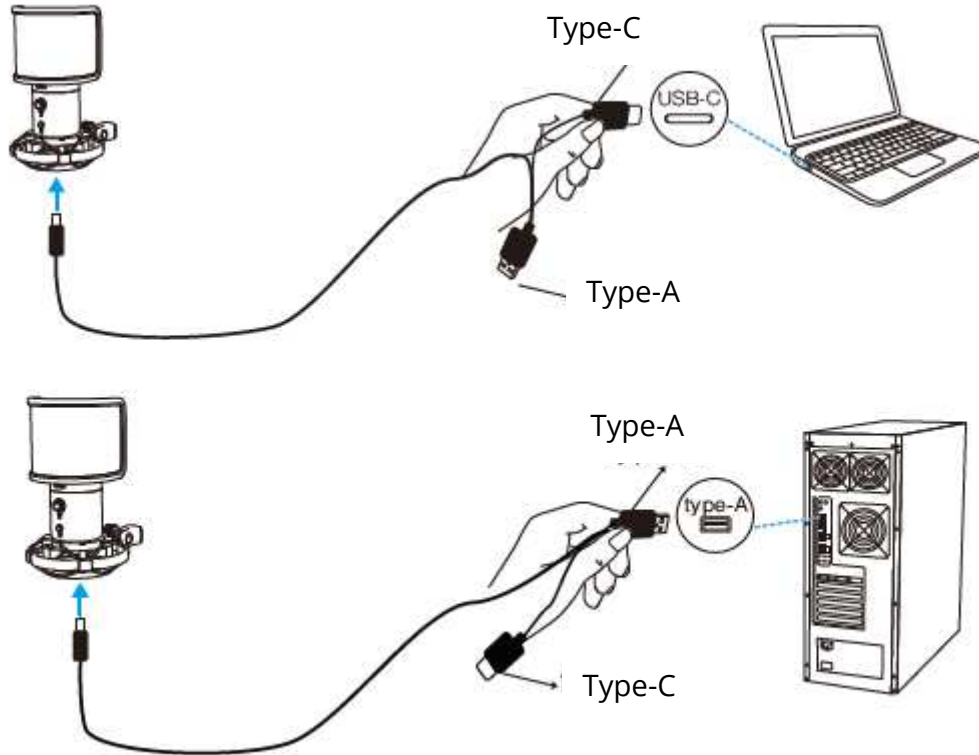
The side of the shock mount with the rubber pad should be up.

2. Using the included pop filter could filter out the harsh "p", "t", and "b" sounds and improve the sound quality.

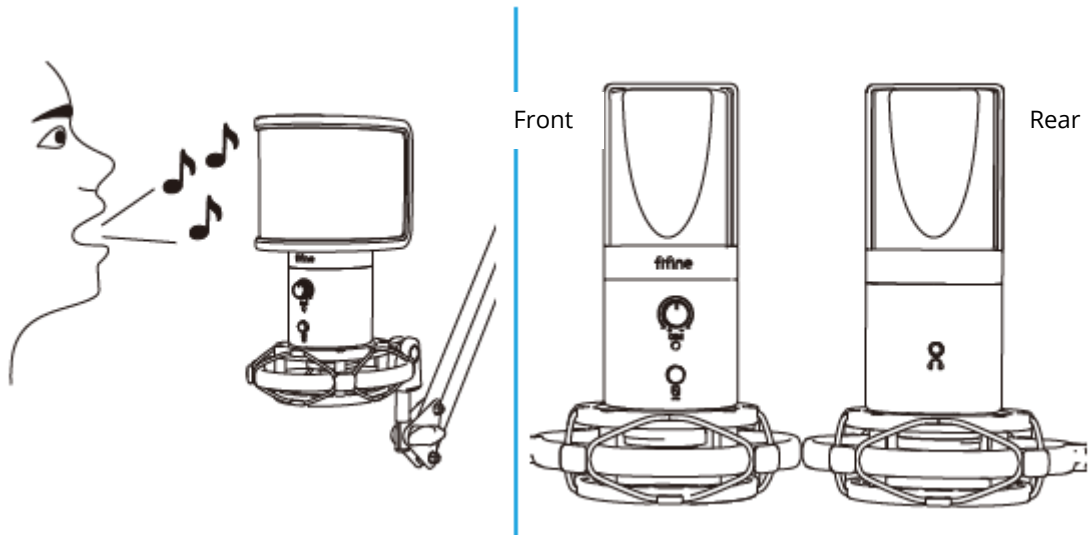


3. Tightly plug the provided USB cable into the USB output at the bottom of the microphone. Plug the USB A connector OR USB C connector to the USB port of

your computer. It depends on what kind of available USB ports there are on your computer.



4. Always keep the front of the mic (the side with " " logo) facing the sound source. Do not speak or sing facing the rear of the mic (the side with the headphone jack).



5. Keep the volume all the way down when plugging the mic into USB port, and gradually turn volume up for the perfect effect during the use.

Volume Control

Volume up:

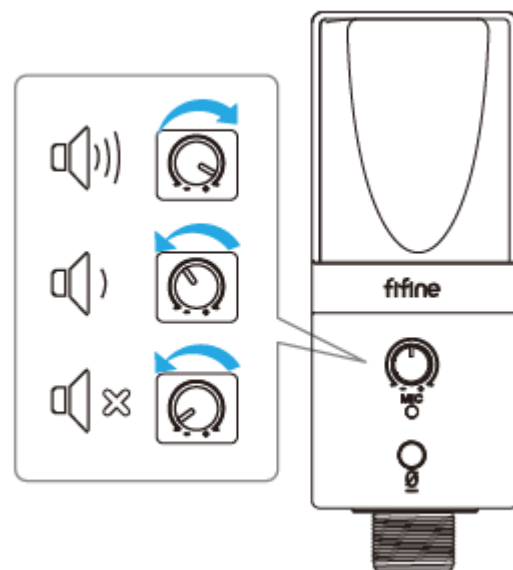
Clockwise (Turn right)

Volume down:

Counterclockwise (Turn left)

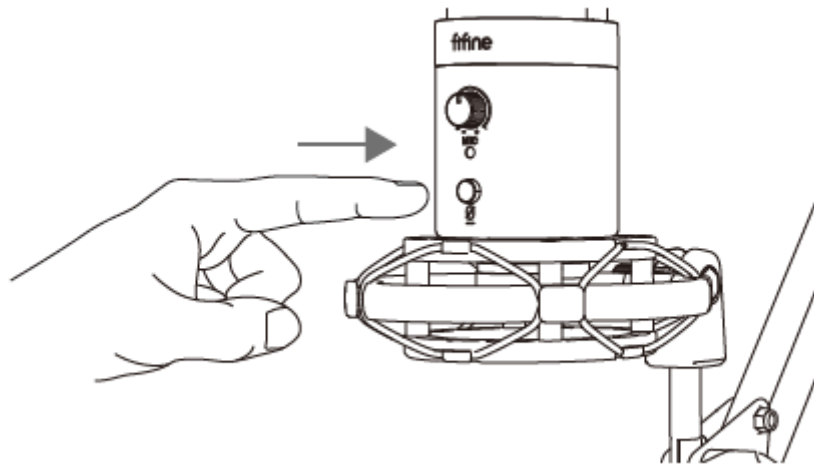
Mute: Counterclockwise

(Turn maximum left)



Mute Button

Press the button to mute/unmute the mic.



Red = Microphone is muted

Green = Microphone is on

Make sure the LED light is green when you are going to use the mic.

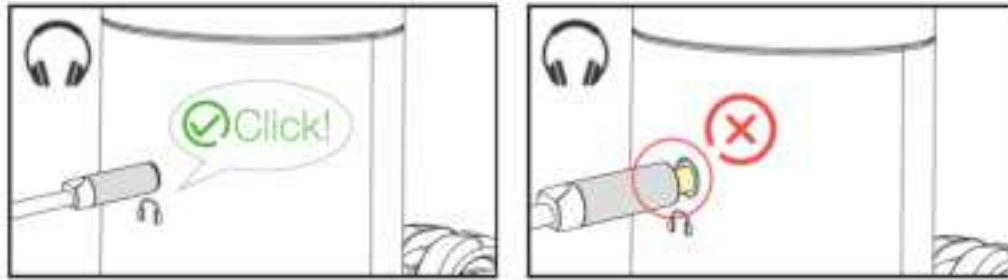
Headphone Output

The T683 mic includes a standard 1/8" (3.5mm) headphone jack for monitoring and playback.

After you connect the mic to your computer and confirm it's the default input/output device on your computer, you can plug your headphone in the headphone jack on the mic to monitor your voice in real-time or listen to the playback/computer audio.

Note:

1. Make sure to plug your headphone into the headphone jack of microphone fully.



2. When the mic is on (the LED light is green) and you don't turn the Mic Gain to zero, you will hear your voice at once. No need to login any recording software (Apple-Macintosh systems) or click "listen to this Device". (Windows systems).

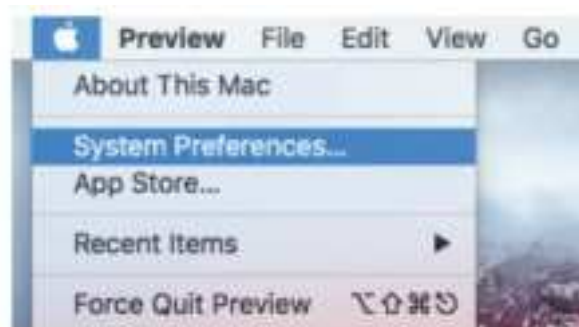
3. You can adjust the volume of computer audio by turning up or down the output volume from the sound settings of your computer.

Computer Set-up

Apple Mac OS

1. Hook up the mic to computer. The LED indicator will turn green at once, means the mic is on. (If the LED is red, press the mute button to change the light to green.) Your computer will automatically install the driver of the mic. There may be no pop-up message reminding this process though.

2. Go to the System Preferences.



3. Click Sound to display the Sound preference pane.



4. Click the Input tab and select the "FINE 683 Microphone" as the device for sound input.



5. You can monitor the mic once you connect your headphone to the jack on the mic. If you want to hear the computer audio and monitor the mic from your headphone, please click the Output tab and select the "FIFINE 683 Microphone" as output device.



Notice:

- If your Mac only has USB C port, please connect the mic to it via the USB C connector of the included USB cable.
- The T683 mic will become the default output device automatically when it plugs into the Mac. Please change the output device to the Internal Speakers if you come across the following issues.
 - 1) The system music suddenly stops once you plug the mic into the computer.
 - 2) On a voice chats or video calls the others can hear you when using microphone but you cannot hear them.
 - 3) There is no sound outputting from the computer when you listen to the playback of the recording.

Two ways to monitor your audio

- 1) Plug your headphone into the headphone jack on the mic and you could monitor your audio at once.
- 2) If you plug your headphone into the MacBook and want to monitor your audio, you must use any recording software. (Take QuickTime Player for example).
 - a. Open QuickTime Player
 - b. Go to "File" -> "New Audio Recording".
 - c. Click the arrow next to the Record button. Then choose this mic.
 - d. Monitor your audio while recording. Choose the default Dictation and Speech software when you use the speech to text in MacBook, click "On" under Dictation window, so that your microphone can be recognized by the software.

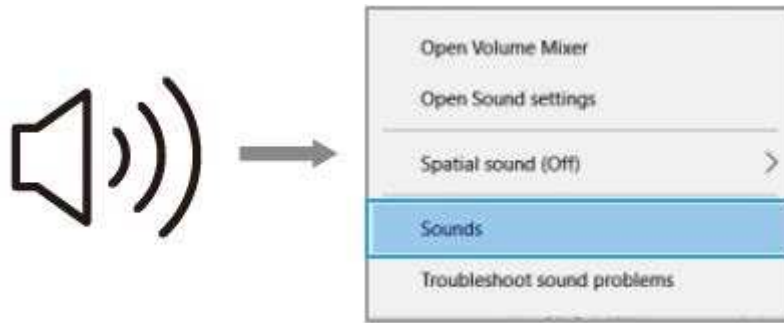


Windows

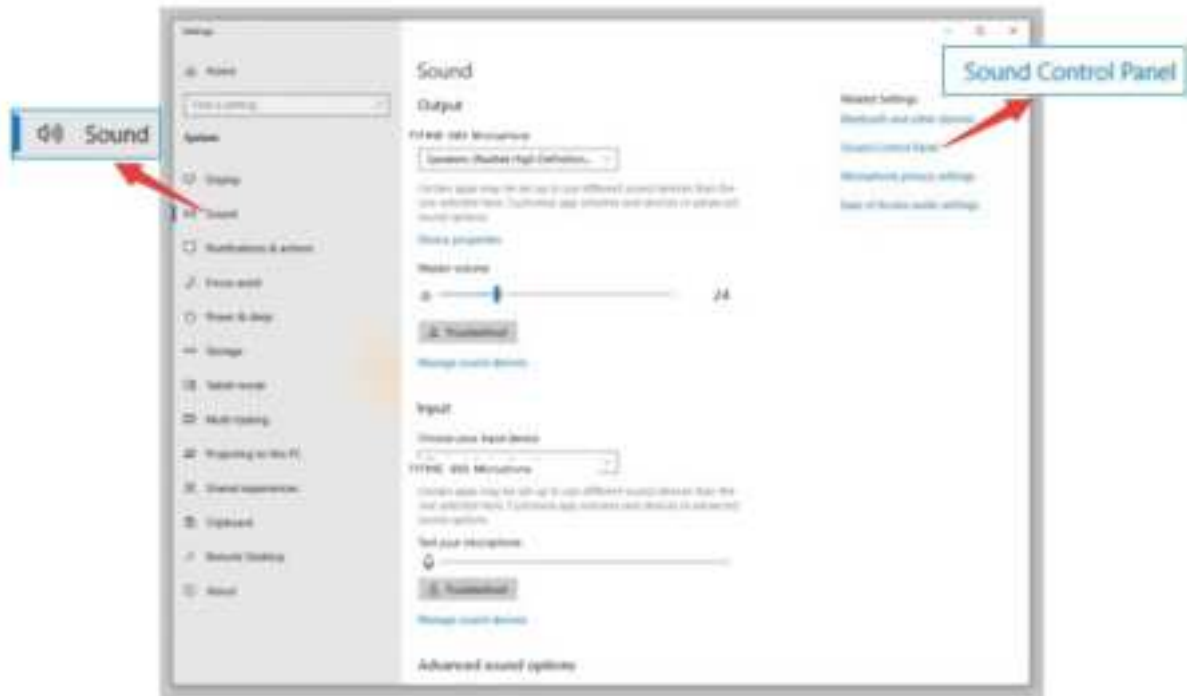
Input Settings

Hook up the mic to computer. The LED indicator will turn green at once, means the mic is on. (If the LED is red, press the mute button to change the light to green.) Your computer will automatically install the driver of the mic. There may be no pop-up message reminding this process though.

1) Right click the speaker icon at the bottom right of the screen. Click "Sounds" or "Open Sound Settings".



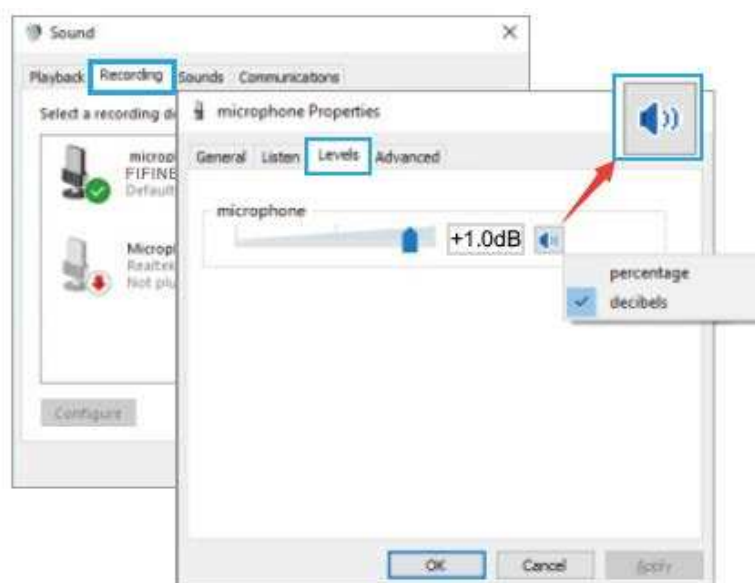
2) Click the Sound control panel.



3) Click the Recording tab and choose "FINE 683 Microphone" as the default device. When you speak into mic, the volume meter will turn green and bounce. If it remains unchanged, please reset the computer, and plug again the mic in the available USB ports of the computer.



4 Adjust input volume - Double click the “FIFINE 6) 83 Microphone” to open the Microphone Properties window. Right click the speaker icon under the Levels tab, change to decibels from percentage. To get the best sound of the mic, please adjust the mic level during this range (0dB to 1dB) when your speaker output is set to maximum.



Note: Make sure that the mic gain knob is not turned to zero.

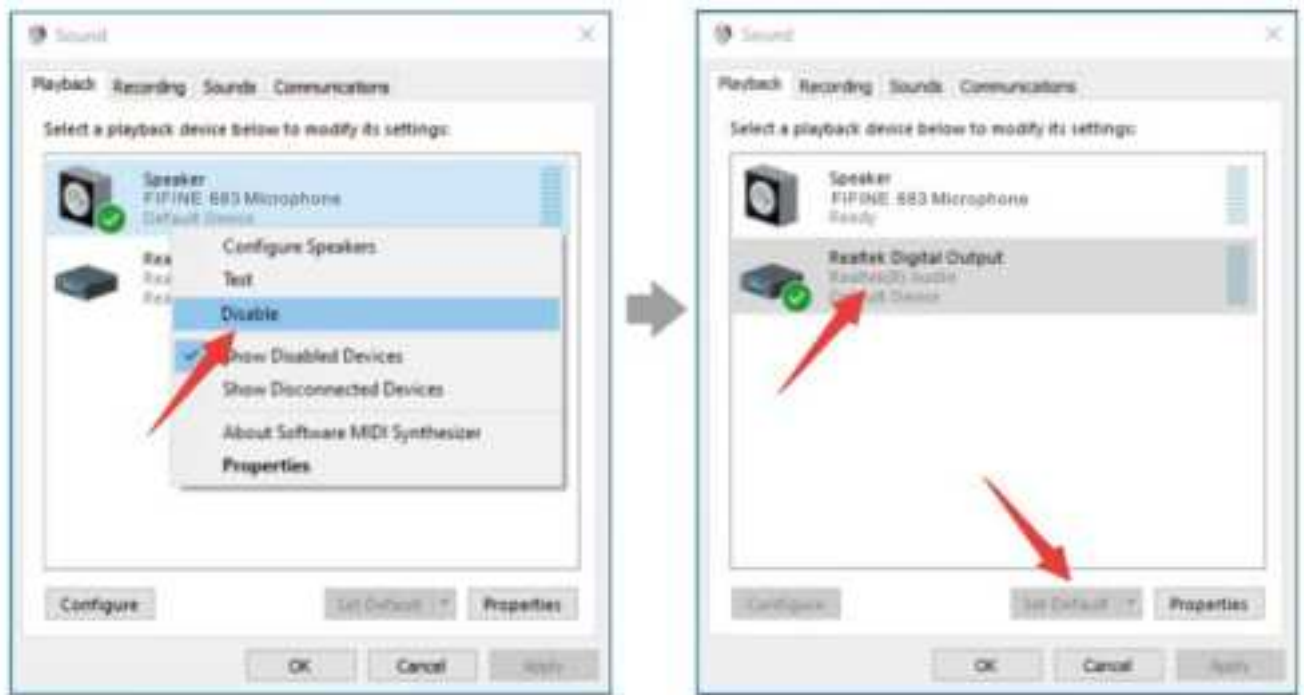
Output settings

1) Output the computer audio from the 3.5mm jack on the mic.
Please plug headphone in the headphone jack on the rear of T683 mic. Click the "Playback" tab from the Sound pane, select "FIFINE 683 Microphone" as the default output device.

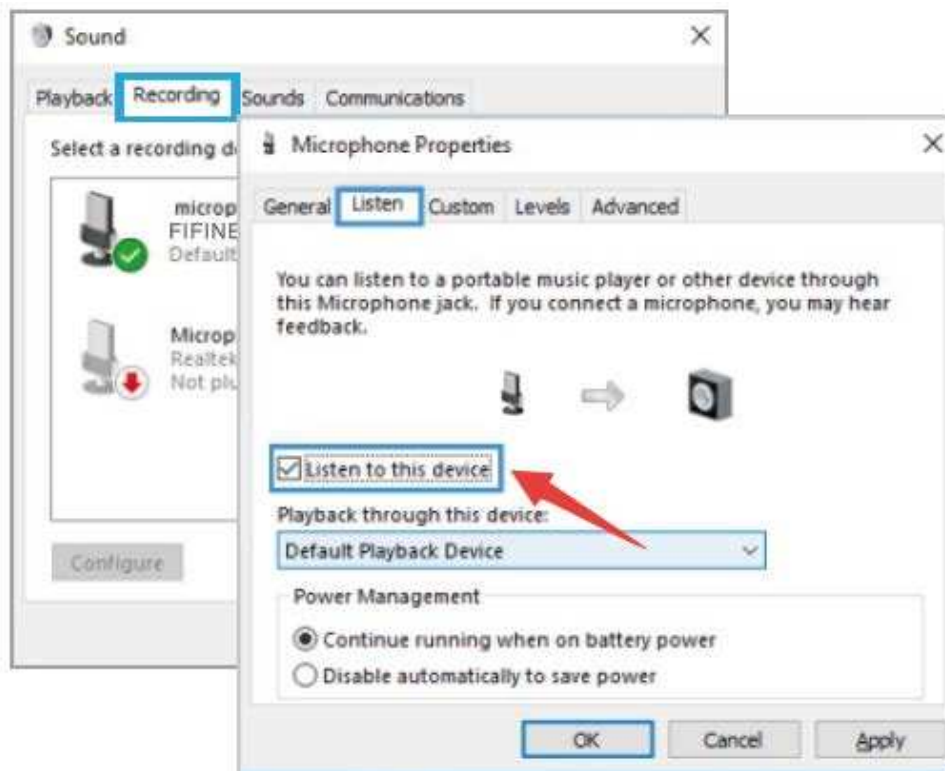


Click the speaker (FIFINE 683 Microphone) - Properties - Levels and drag progress bar to adjust volume of output.

2) Output audio from the computer.
Click the "Playback" tab from the Sound pane, select "Realtek High-Definition Audio" as the default output device. Then you will hear the computer audio.



If you also want to monitor your mic, please click the "Recording" tab and click the FIFINE 683 Microphone -Properties - Listen - check the box "Listen to this device" - Apply.



Click the speaker that is being used - Properties - Levels, drag the progress bar to adjust volume of output.

Note: (Applicable for MAC and Windows)

1. If the computer prompts that it's unable to identify this USB devices, please restart computer and plug again the microphone into other USB port.
2. Check off the box "Listen to this device" when you are using any recording software or chatting software (such as Skype), or you would hear double audio just like echo.
3. If mic is recognized but no sound coming out, please check whether System Sound is mute and whether you have turned the knob on the mic to minimum. Make sure the LED indicator is green (means the microphone's on).
4. If your computer runs windows 10, please go to settings > privacy > microphone and click the Allow apps to access the microphone to ON, then restart.

Recording Software Settings

1. Pls select "FIFINE 683 Microphone" as the input device from the setting when using recording software. Take the Audacity for example.

If you monitor your audio from headphone jack of computer, please select "Realtek High-Definition Audio" as output device. If you monitor from the mic headphone jack, select the FIFINE 683 Microphone as output.



Input: FIFINE 683 Microphone



Output: Pls choose correct output

Note: If the recording software (such as Audacity) doesn't recognize the mic, please log out the software first, plug again the mic in the computer and launch the software again. Then the mic will be in the drop-down option of input device.

2. Make sure to check off the box "Listen to this device" from the sound system when you are using any recording software, or else you would hear duet of yourself just like too much echo.



3. There are several ways to improve the recording by using Audacity. Come to <https://fifinemicrophone.com/blogs/news> to search the better solution or SEARCH WIDGET for your interested subject in our blogs.

4. For windows computers, we recommend using Audacity. For Apple computers, you can use the QuickTime Player to test the recording.

Important Notice

Setting the Volume levels

Correct adjustment of microphone level is important for optimum performance. Ideally, the microphone level should be as high as possible without overloading the input of your computer. If you hear distortion, or if your recording program shows levels that are consistently overloaded (at peak levels), turn the microphone gain (or level) down, either through the knob on the mic, the system settings, or through your recording software. If your recording program shows insufficient level, you can increase the microphone gain either through the knob on the mic, the system settings, or through your recording software.

Selecting Software

You have many choices in recording software. Audacity, available for free online at <http://audacity.sourceforge.net/>, is a widely used software. Note: You need to plug the mic in the computer first and then launch the recording software. The software may not recognize the mic if you plug the mic into the computer after you have launched the software.

Positioning your microphone

To achieve the best frequency response, it is important to have the mic capsule (the side with mute button) pointed at the user's mouth, instrument, or any other sound source. For speaking/singing applications, the ideal position of the microphone is directly in front of the person who is speaking/singing. The same position is optimal when miking an instrument such as an acoustic guitar, drums, or piano. Test the mic in different positions to find the best sound for your particular setup.

Protecting your microphone

Avoid leaving your microphone in the open air or in areas where the temperature exceeds to 110° F (43° C) for extended periods. Extremely high humidity should also be avoided.

Choose your output setting

When you plug microphone to your PC, it cancels the audio from any other audio file played or there's no sound on the playback, you need to manually select the "speaker (Realtek High-Definition Audio)" as the default playback device, if you want to output computer audio via the computer built-in speaker.

Specifications

Power Supply:	5V / 65 mA ± 5 mA
Operating Current:	34 mA
Polar Pattern:	Cardioid
Frequency Response:	40 Hz – 18 kHz
Sensitivity:	-45 ± 3 dB
S/N Ratio:	75 dB
Max. SPL:	100 dB

Warranty Conditions

A new product purchased in the Alza.cz sales network is guaranteed for 2 years. If you need repair or other services during the warranty period, contact the product seller directly, you must provide the original proof of purchase with the date of purchase.

The following are considered to be a conflict with the warranty conditions, for which the claimed claim may not be recognized:

- Using the product for any purpose other than that for which the product is intended or failing to follow the instructions for maintenance, operation and service of the product.
- Damage to the product by a natural disaster, the intervention of an unauthorized person or mechanically through the fault of the buyer (e.g. during transport, cleaning by inappropriate means, etc.).
- Natural wear and aging of consumables or components during use (such as batteries, etc.).
- Exposure to adverse external influences, such as sunlight and other radiation or electromagnetic fields, fluid intrusion, object intrusion, mains overvoltage, electrostatic discharge voltage (including lightning), faulty supply or input voltage and inappropriate polarity of this voltage, chemical processes such as used power supplies, etc.
- If anyone has made modifications, modifications, alterations to the design or adaptation to change or extend the functions of the product compared to the purchased design or use of non-original components.

EU Declaration of Conformity

Identification data of the manufacturer's / importer's authorized representative:

Importer: Alza.cz a.s.

Registered office: Jankovcova 1522/53, Holešovice, 170 00 Prague 7

IČO: 27082440

Subject of the declaration:

Title: Microphone

Model / Type: T683

The above product has been tested in accordance with the standard(s) used to demonstrate compliance with the essential requirements laid down in the Directive(s):

Directive No. (EU) 2014/30/EU

Directive No. (EU) 2011/65/EU as amended 2015/863/EU



WEEE

This product must not be disposed of as normal household waste in accordance with the EU Directive on Waste Electrical and Electronic Equipment (WEEE - 2012/19 / EU). Instead, it shall be returned to the place of purchase or handed over to a public collection point for the recyclable waste. By ensuring this product is disposed of correctly, you will help prevent potential negative consequences for the environment and human health, which could otherwise be caused by inappropriate waste handling of this product. Contact your local authority or the nearest collection point for further details. Improper disposal of this type of waste may result in fines in accordance with national regulations.



Vážený zákazníku,

Děkujeme vám za zakoupení našeho produktu. Před prvním použitím si prosím pečlivě přečtěte následující pokyny a tento manuál si uschovejte pro budoucí použití. Věnujte zvláštní pozornost bezpečnostním pokynům. Pokud máte jakékoliv dotazy nebo připomínky k produktu, kontaktujte zákaznickou linku.

✉ www.alza.cz/kontakt

☎ +420 255 340 111

Dovozce Alza.cz a.s., Jankovcova 1522/53, Holešovice, 170 00 Praha 7, www.alza.cz

Obsah balení



1. Adaptér 3/8" na 5/8" a 2. Stolní rameno



3. Mikrofon



4. pop filtr



5. Kovový kroužek se závitem



6. C-svorka

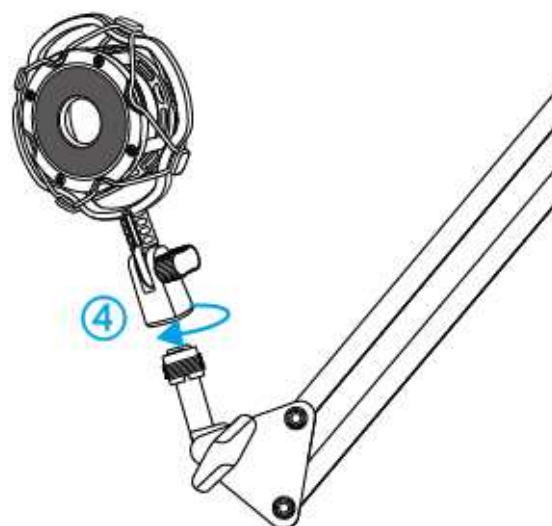
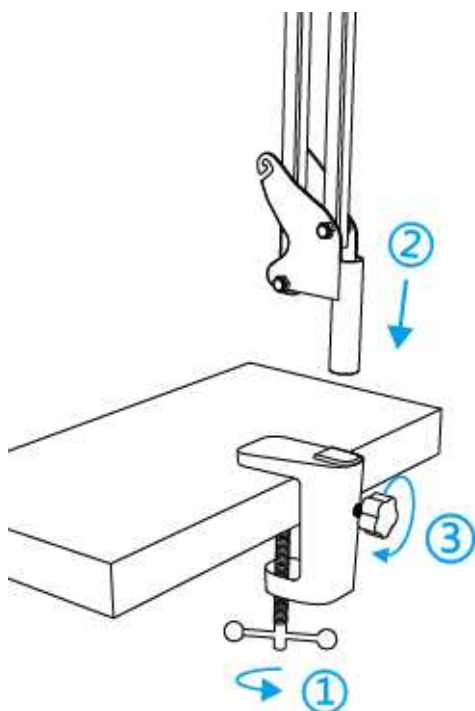


7. Kabel USB 2,5 M



8. Upevnění proti otřesům

Instalace stojanu mikrofonu na stůl



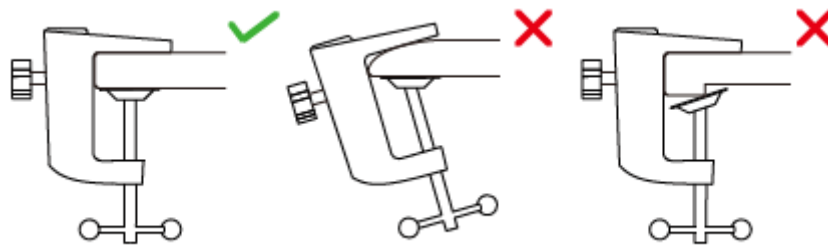
1. Zašroubujte spodní část C-svorky tak, aby byla pevně utažena a zajištěna.
2. Zasuňte rameno stojanu do otvoru.
3. Upevněte šroub
4. Upevněte držák proti otřesům s ramenem stojanu

Poznámka:

Po utažení šroubu na C-svorce ramenem NEOTÁČEJTE. Nejprve šroub povolte, upravte polohu ramene a poté jej utáhněte.

Přesně jej připevněte na pracovní plochu pomocí přiložené C-svorky:

Příliš zaoblené nebo převislé hrany pracovní plochy nejsou dobrým montážním povrchem.



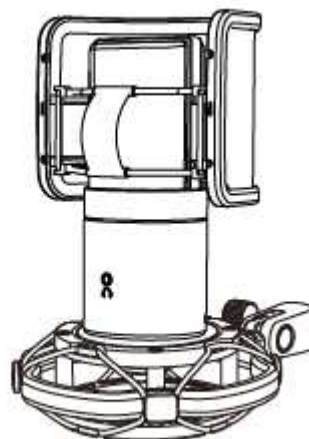
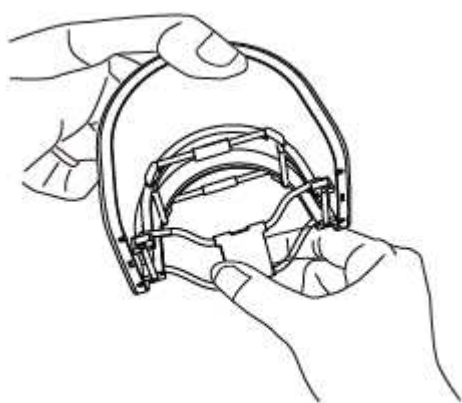
Stručný průvodce instalací

1. Připojte mikrofon k držáku proti otřesům.

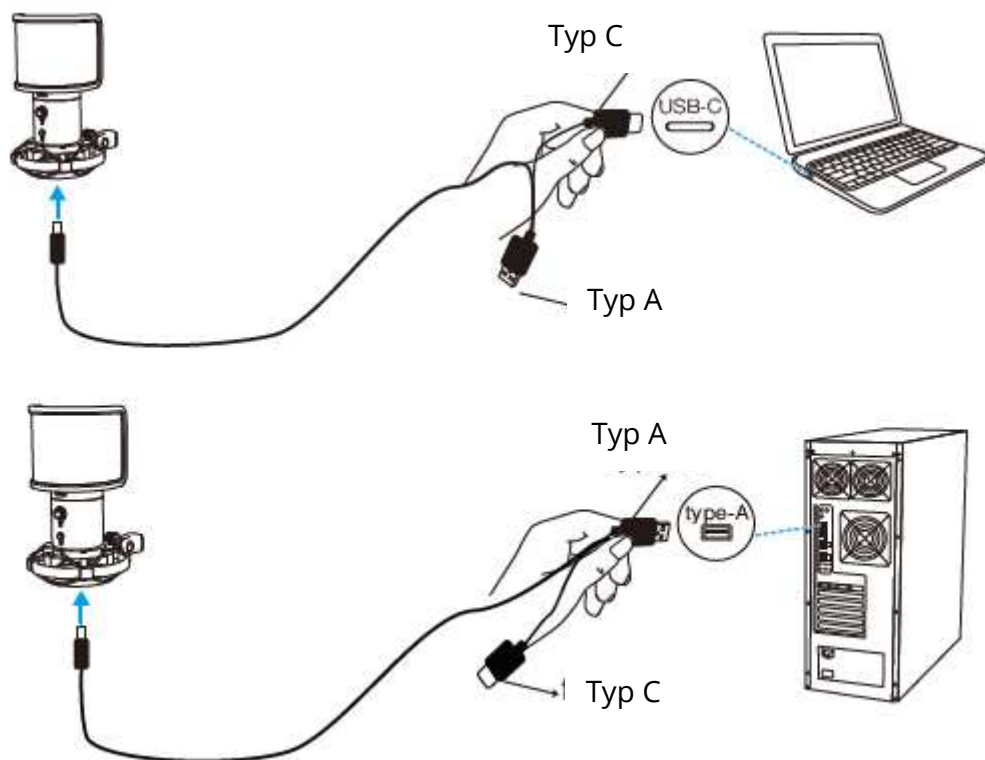


Strana držáku proti nárazům s gumovou podložkou by měla být směrem vzhůru.

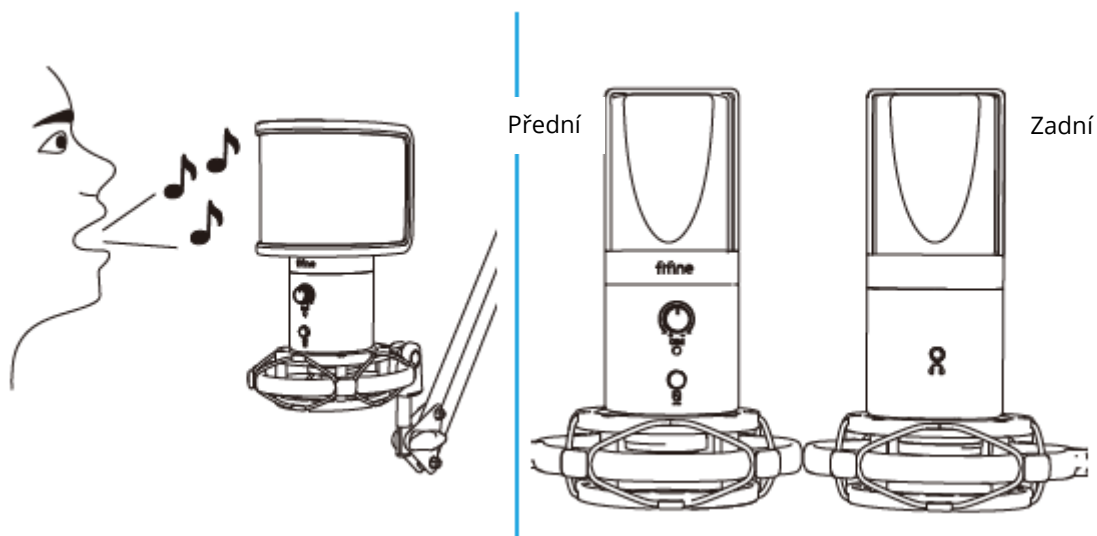
2. Pomocí přiloženého pop filtru lze odfiltrout ostré zvuky "p", "t" a "b" a zlepšit kvalitu zvuku.



3. Dodaný kabel USB pevně zapojte do výstupu USB na spodní straně mikrofonu. Připojte konektor USB A nebo konektor USB C k portu USB počítače. Záleží na tom, jaké dostupné porty USB jsou na vašem počítači.



4. Mikrofon vždy směřujte přední stranou (stranou s logem " ") ke zdroji zvuku. Nemluvte ani nezpívejte směrem k zadní části mikrofону (strana s konektorem pro sluchátka).



5. Při připojování mikrofону k portu USB nechte hlasitost zcela sníženou a během používání postupně zvyšujte hlasitost, abyste dosáhli dokonalého efektu.

Ovládání hlasitosti

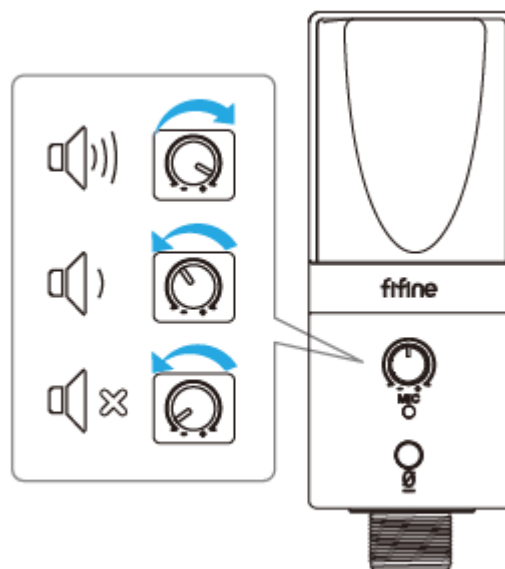
Zvýšení hlasitosti:

Po směru hodinových ručiček (Otočte doprava)

Snížení hlasitosti:

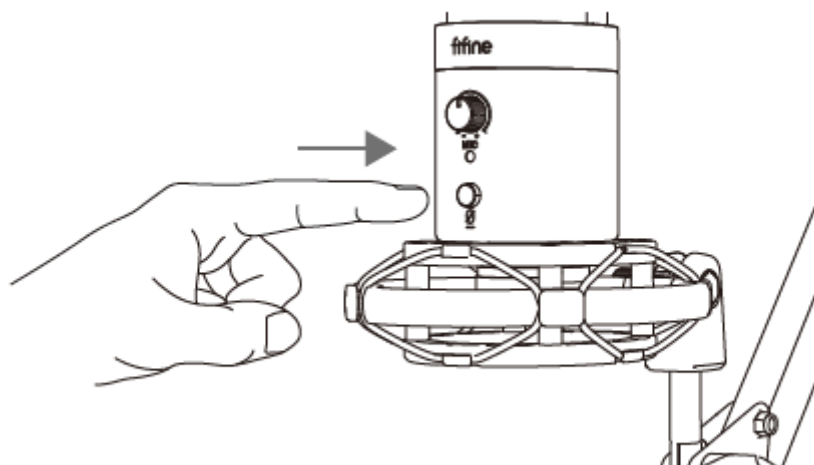
Proti směru hodinových ručiček (Otočte doleva)

Ztlumit zvuk: Proti směru hodinových ručiček
(Otočit maximálně doleva)



Tlačítko ztlumení zvuku

Stisknutím tlačítka ztlumíte/odpojíte mikrofon.



Červená = mikrofon je ztlumen

Zelená = mikrofon je zapnutý

Ujistěte se, že kontrolka LED svítí zeleně, když se chystáte mikrofon používat.

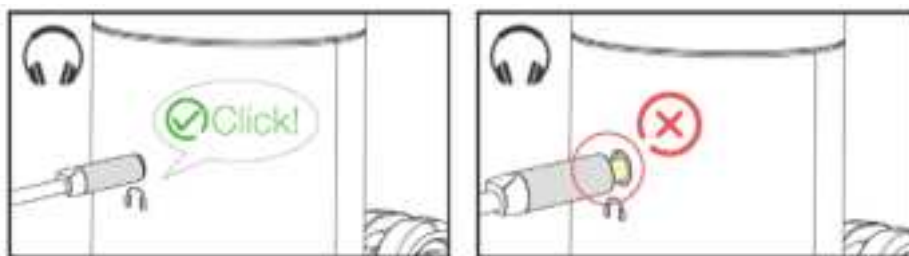
Výstup pro sluchátka

Mikrofon T683 je vybaven standardním konektorem 1/8" (3,5 mm) pro sluchátka pro monitorování a přehrávání.

Po připojení mikrofonu k počítači a potvrzení, že je výchozím vstupním/výstupním zařízením v počítači, můžete zapojit sluchátka do zdířky pro sluchátka na mikrofonu a sledovat svůj hlas v reálném čase nebo poslouchat přehrávání/zvuk počítače.

Poznámka:

1. Ujistěte se, že jste sluchátka zapojili do konektoru sluchátek mikrofonu úplně.



2. Pokud je mikrofon zapnutý (kontrolka LED svítí zeleně) a nepřepnete Mic Gain na nulu, uslyšíte svůj hlas najednou. Není třeba přihlašovat žádný nahrávací software (systémy Apple-Macintosh) ani klikat na tlačítko "poslouchat toto zařízení". (systémy Windows).

3. Hlasitost zvuku počítače můžete upravit zvýšením nebo snížením výstupní hlasitosti v nastavení zvuku počítače.

Nastavení počítače

Apple Mac OS

1. Připojte mikrofon k počítači. Indikátor LED se ihned rozsvítí zeleně, což znamená, že mikrofon je zapnutý. (Pokud je indikátor červený, stiskněte tlačítko ztlumení, aby se rozsvítil zeleně.) Počítač automaticky nainstaluje ovladač mikrofonu. Nemusí se však objevit žádná vyskakovací zpráva, která by tento proces připomínala.

2. Přejděte do předvoleb systému.



3. Kliknutím na tlačítko Zvuk zobrazíte panel předvoleb zvuku.



4. Klikněte na kartu Input a jako zařízení pro vstup zvuku vyberte "FIFINE 683 Microphone".



5. Po připojení sluchátek ke konektoru mikrofonu můžete mikrofon monitorovat. Pokud chcete poslouchat zvuk počítače a monitorovat mikrofon ze sluchátek, klikněte na kartu Výstup a jako výstupní zařízení vyberte "FIFINE 683 Microphone".



Upozornění:

- Pokud má váš Mac pouze port USB C, připojte k němu mikrofon přes konektor USB C přiloženého kabelu USB.
- Mikrofon T683 se po připojení k počítači Mac automaticky stane výchozím výstupním zařízením. Pokud narazíte na následující problémy, změňte prosím výstupní zařízení na interní reproduktory.
 - 1) Systémová hudba se náhle zastaví, jakmile mikrofon připojíte k počítači.
 - 2) Při hlasových chatech nebo videohovorech vás ostatní při použití mikrofonu slyší, ale vy je neslyšíte.
 - 3) Při poslechu přehrávaného záznamu není z počítače vyslán žádný zvuk.

Dva způsoby sledování zvuku

- 1) Připojte sluchátka do konektoru pro sluchátka na mikrofonu a můžete monitorovat zvuk najednou.
- 2) Pokud k MacBooku připojíte sluchátka a chcete monitorovat zvuk, musíte použít libovolný nahrávací software. (Například QuickTime Player)
 - a) Otevření přehrávače QuickTime Player
 - b) Přejděte na "Soubor" -> "Nový zvukový záznam".
 - c) Klikněte na šipku vedle tlačítka Záznam. Poté vyberte tento mikrofon.
 - d) Monitorování zvuku během nahrávání. Při používání převodu řeči na text v MacBooku zvolte výchozí software Diktování a řeč a v okně Diktování klikněte na "Zapnuto", aby software rozpoznal váš mikrofon.

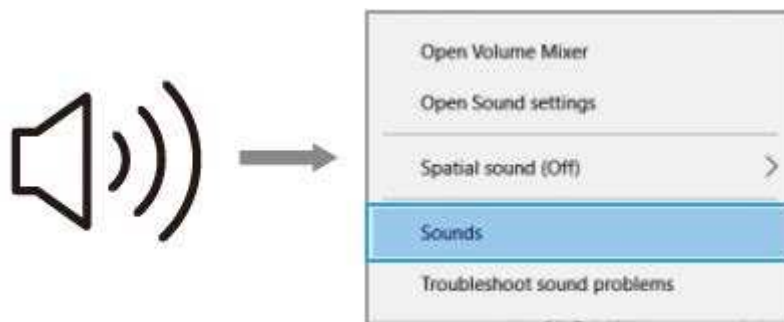


Windows

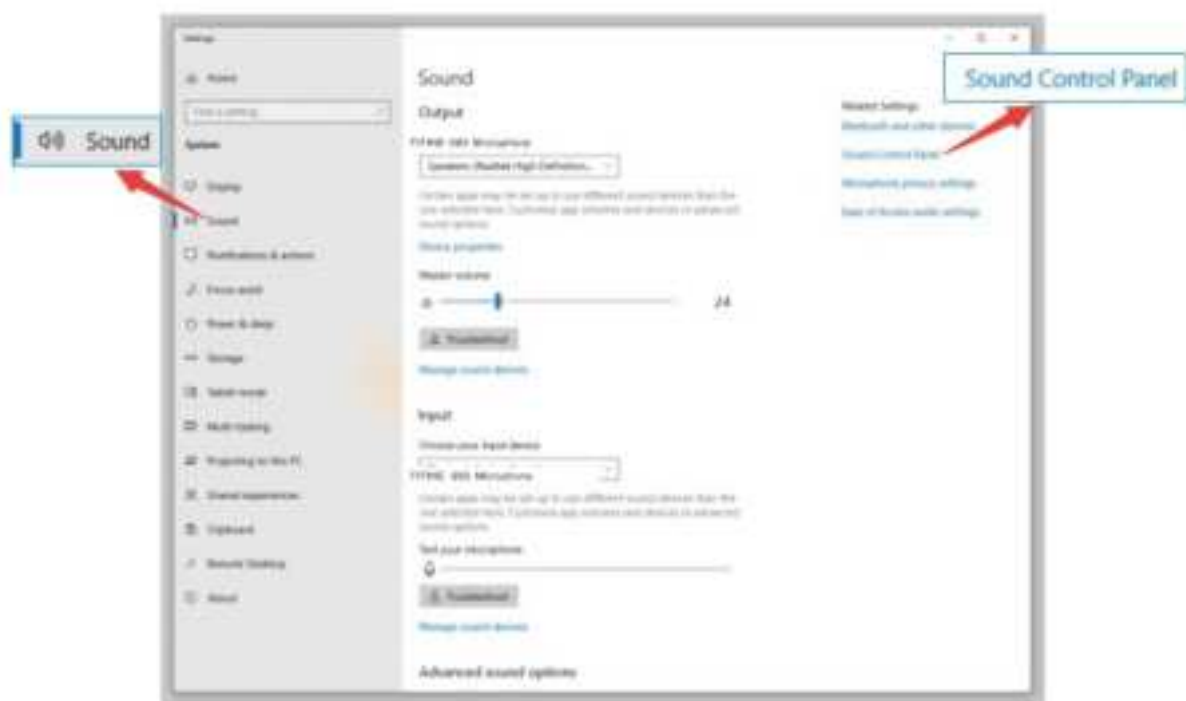
Vstupní nastavení

Připojte mikrofon k počítači. Indikátor LED se ihned rozsvítí zeleně, což znamená, že je mikrofon zapnutý. (Pokud je indikátor červený, stiskněte tlačítko ztlumení, aby se rozsvítil zeleně.) Počítač automaticky nainstaluje ovladač mikrofonu. Nemusí se však objevit žádná vyskakovací zpráva, která by tento proces připomínala.

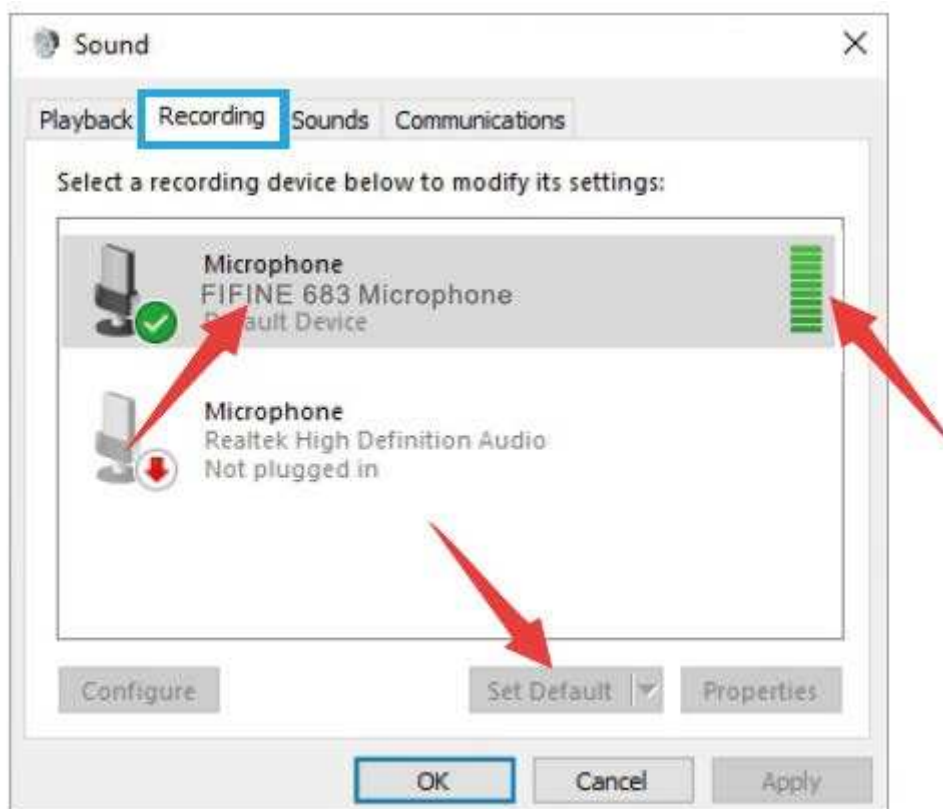
- 1) Klikněte pravým tlačítkem myši na ikonu reproduktoru v pravém dolním rohu obrazovky. Klikněte na "Sounds" (Zvuky) nebo "Open Sound Settings" (Otevřít nastavení zvuku).



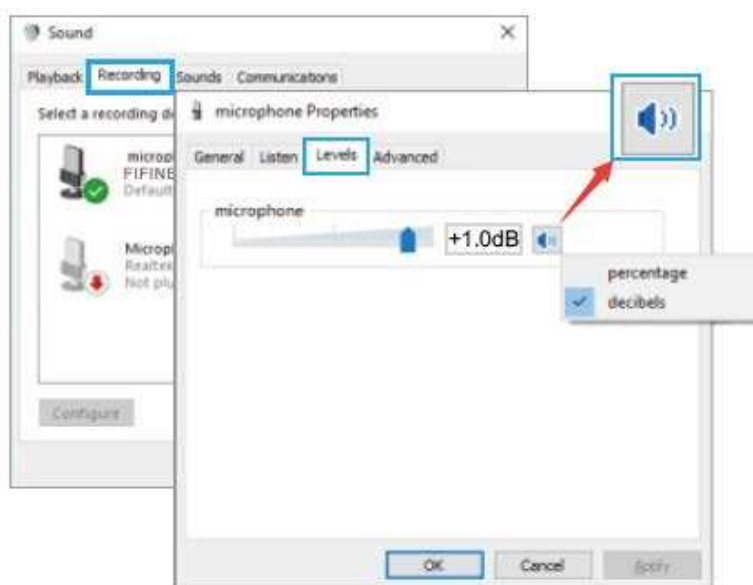
2) Klikněte na ovládací panel Zvuk.



3) Klikněte na kartu Nahrávání a jako výchozí zařízení vyberte "FIFINE 683 Microphone". Když mluvíte do mikrofону, měřič hlasitosti zezelená a začne poskakovat. Pokud zůstane beze změny, resetujte počítač a znovu zapojte mikrofón do dostupných USB portů počítače.



4) Úprava hlasitosti vstupu - Dvojklikem na "FIFINE 6) 83 Mikrofon" otevřete okno Vlastnosti mikrofonu. Klikněte pravým tlačítkem myši na ikonu reproduktoru v záložce Levels (Úrovně), změňte hodnotu na decibely z procent. Chcete-li dosáhnout nejlepšího zvuku mikrofonu, nastavte úroveň mikrofonu v tomto rozsahu (0 dB až 1 dB), když je výstup reproduktoru nastaven na maximum.



Poznámka: Ujistěte se, že knoflík mikrofonního zesílení není nastaven na nulu.

Nastavení výstupu

1) Vyvedení zvuku z počítače z 3,5mm konektoru na mikrofonu.

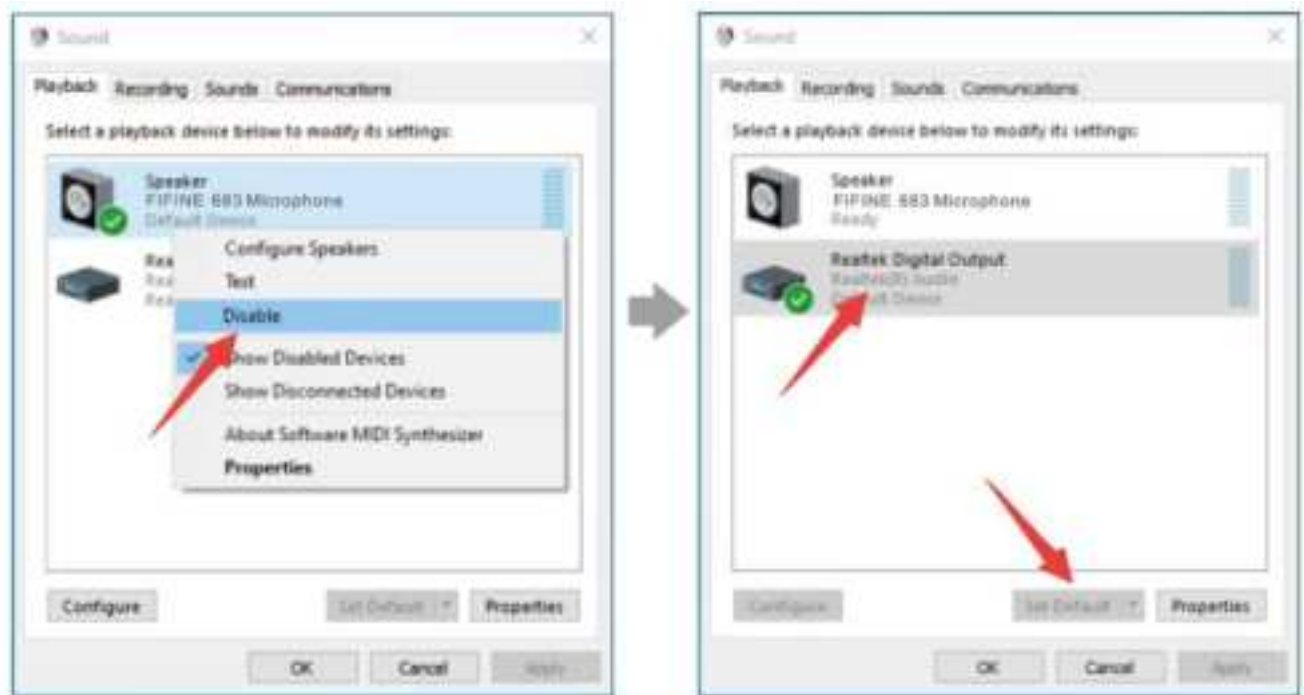
Sluchátka zapojte do konektoru pro sluchátka na zadní straně mikrofonu T683. Klepněte na kartu "Playback" (Přehrávání) na panelu Sound (Zvuk) a jako výchozí výstupní zařízení vyberte "FIFINE 683 Microphone" (Mikrofon FIFINE 683).



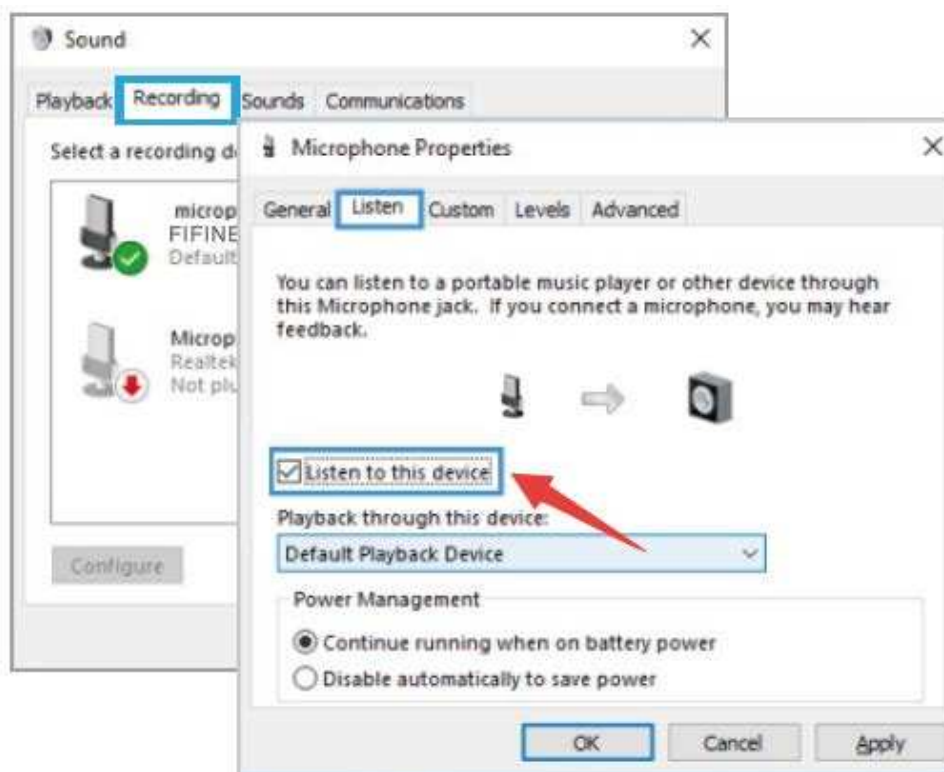
Klikněte na reproduktor (mikrofon FIFINE 683) - Vlastnosti - Úrovně a přetažením posuvníku upravte hlasitost výstupu.

2) Výstup zvuku z počítače.

Klikněte na kartu "Playback" (Přehrávání) na panelu Sound (Zvuk) a jako výchozí výstupní zařízení vyberte "Realtek High-Definition Audio". Poté uslyšíte zvuk z počítače.



Pokud chcete mikrofon také monitorovat, klikněte na kartu "Nahrávání" a na položku Mikrofon FIFINE 683 - Vlastnosti - Poslech - zaškrtněte políčko "Poslouchat toto zařízení" - Použít.



Klikněte na používaný reproduktor - Vlastnosti - Úroveň, přetažením posuvníku upravte hlasitost výstupu.

Poznámka: (Platí pro MAC a Windows)

1. Pokud počítač zobrazí hlášení, že nemůže identifikovat toto zařízení USB, restartujte počítač a znovu připojte mikrofon do jiného portu USB.
2. Zaškrtněte políčko "Poslouchat toto zařízení", pokud používáte jakýkoli nahrávací software nebo software pro chatování (např. Skype), jinak byste slyšeli dvojitý zvuk stejně jako ozvěnu.
3. Pokud je mikrofon rozpoznán, ale nevychází z něj žádný zvuk, zkontrolujte, zda je funkce System Sound ztlumena a zda jste otočili knoflík na mikrofonu na minimum. Zkontrolujte, zda je indikátor LED zelený (znamená, že je mikrofon zapnutý).
4. Pokud váš počítač používá systém Windows 10, přejděte do nastavení > soukromí > mikrofon a klikněte na možnost Povolit aplikacím přístup k mikrofonu na hodnotu ZAPNUTO a restartujte jej.

Nastavení nahrávacího softwaru

1. Při použití nahrávacího softwaru vyberte v nastavení jako vstupní zařízení "FIFINE 683 Microphone". Vezměte si například Audacity.

Pokud monitorujete zvuk ze sluchátkového konektoru počítače, vyberte jako výstupní zařízení "Realtek High-Definition Audio". Pokud monitorujete ze sluchátkového konektoru mikrofonu, vyberte jako výstupní zařízení mikrofon FIFINE 683.



Input: FIFINE 683 Microphone



Output: Pls choose correct output

Poznámka: Pokud nahrávací software (např. Audacity) mikrofon nerozpozná, nejprve jej odhlaste, znovu připojte mikrofon k počítači a znovu spusťte software. Pak se mikrofon objeví v rozevřací nabídce vstupního zařízení.

2. Při používání jakéhokoli nahrávacího softwaru nezapomeňte zaškrtnout políčko "Poslouchat toto zařízení", jinak byste slyšeli svůj hlas zdvojeně jako velkou ozvěnu.



3. Existuje několik způsobů, jak nahrávku pomocí programu Audacity vylepšit. Běžte na stránky <https://fifinemicrophone.com/blogs/news> a vyhledejte lepší řešení nebo HLEDEJTE ŠIROKÝM VYHLEDÁVÁNÍM téma, které vás zajímá, v našich blogech.

4. Pro počítače se systémem Windows doporučujeme použít Audacity. U počítačů Apple můžete k otestování záznamu použít QuickTime Player.

Důležité upozornění

Nastavení úrovně hlasitosti

Pro optimální výkon je důležité správné nastavení úrovně mikrofonu. V ideálním případě by měla být úroveň mikrofonu co nejvyšší, aniž by došlo k přetížení vstupu počítače. Pokud slyšíte zkreslení nebo pokud váš nahrávací program ukazuje trvale přetížené úrovně (při špičkových úrovních), snižte zesílení (nebo úroveň) mikrofonu, a to buď pomocí knoflíku na mikrofonu, v nastavení systému nebo prostřednictvím nahrávacího softwaru. Pokud váš nahrávací program ukazuje nedostatečnou úroveň, můžete zesílení mikrofonu zvýšit buď prostřednictvím knoflíku na mikrofonu, systémových nastavení, nebo prostřednictvím nahrávacího softwaru.

Výběr softwaru

V oblasti nahrávacího softwaru máte na výběr z mnoha možností. Široce používaným softwarem je Audacity, který je zdarma k dispozici online na adrese <http://audacity.sourceforge.net/>. Poznámka: Nejprve je třeba zapojit mikrofon do počítače a poté spustit nahrávací software. Pokud mikrofon připojíte k počítači až po spuštění softwaru, software nemusí mikrofon rozpoznat.

Umístění mikrofonu

Pro dosažení nejlepší frekvenční odezvy je důležité, aby mikrofonní kapsle (strana s tlačítkem ztlumení) mířila na ústa uživatele, nástroj nebo jiný zdroj zvuku. Pro použití při mluvení/zpěvu je ideální poloha mikrofonu přímo před osobou, která mluví/zpívá. Stejná poloha je optimální při nahrávání nástroje, jako je akustická kytara, bicí nebo klavír. Vyzkoušejte mikrofon v různých polohách, abyste našli nejlepší zvuk pro konkrétní nastavení.

Ochrana mikrofonu

Nenechávejte mikrofon delší dobu na volném prostranství nebo na místech, kde teplota přesahuje 110° F (43° C). Vyhněte se také extrémně vysoké vlhkosti vzduchu.

Zvolte nastavení výstupu

Když připojíte mikrofon k počítači, zruší se zvuk z jakéhokoli jiného přehrávaného zvukového souboru nebo při přehrávání není žádný zvuk, pokud chcete vyvést zvuk z počítače přes vestavěný reproduktor počítače, musíte ručně vybrat "reproduktor (Realtek High-Definition Audio)" jako výchozí zařízení pro přehrávání.

Specifikace

Napájení:	5V / 65 mA ± 5 mA
Provozní proud:	34 mA
Polární vzor:	Kardioida
Frekvenční odezva:	40 Hz - 18 kHz
Citlivost:	-45 ± 3 dB
Poměr S/N:	75 dB
Max. SPL:	100 dB

Záruční podmínky

Na nový výrobek zakoupený v prodejní síti Alza.cz se vztahuje záruka 2 roky. V případě potřeby opravy nebo jiného servisu v záruční době se obraťte přímo na prodejce výrobku, je nutné předložit originální doklad o koupi s datem nákupu.

Za rozpor se záručními podmínkami, pro který nelze reklamaci uznat, se považují následující skutečnosti:

- Používání výrobku k jinému účelu, než pro který je výrobek určen, nebo nedodržování pokynů pro údržbu, provoz a servis výrobku.
- Poškození výrobku živelnou pohromou, zásahem neoprávněné osoby nebo mechanicky vinou kupujícího (např. při přepravě, čištění nevhodnými prostředky apod.).
- přirozené opotřebení a stárnutí spotřebního materiálu nebo součástí během používání (např. baterií atd.).
- Působení nepříznivých vnějších vlivů, jako je sluneční záření a jiné záření nebo elektromagnetické pole, vniknutí kapaliny, vniknutí předmětu, přepětí v síti, elektrostatický výboj (včetně blesku), vadné napájecí nebo vstupní napětí a nevhodná polarita tohoto napětí, chemické procesy, např. použité zdroje atd.
- Pokud někdo provedl úpravy, modifikace, změny konstrukce nebo adaptace za účelem změny nebo rozšíření funkcí výrobku oproti zakoupené konstrukci nebo použití neoriginálních součástí.

EU prohlášení o shodě

Identifikační údaje zplnomocněného zástupce výrobce/dovozce:

Dovozce: Alza.cz a.s.

Sídlo společnosti: Jankovcova 1522/53, Holešovice, 170 00 Praha 7.

IČO: 27082440

Předmět prohlášení:

Název: Mikrofon

Model/typ: T683

Výše uvedený výrobek byl testován v souladu s normou (normami) použitou (použitými) k prokázání shody se základními požadavky stanovenými ve směrnici (směrnících):

Směrnice č. (EU) 2014/30/EU

Směrnice č. (EU) 2011/65/EU ve znění 2015/863/EU



WEEE

Tento výrobek nesmí být likvidován jako běžný domovní odpad v souladu se směrnicí EU o odpadních elektrických a elektronických zařízeních (WEEE - 2012/19 / EU). Místo toho musí být vrácen na místo nákupu nebo předán na veřejné sběrné místo recyklovatelného odpadu. Tím, že zajistíte správnou likvidaci tohoto výrobku, pomůžete předejít možným negativním důsledkům pro životní prostředí a lidské zdraví, které by jinak mohly být způsobeny nevhodným nakládáním s odpadem z tohoto výrobku. Další informace získáte na místním úřadě nebo na nejbližším sběrném místě. Nesprávná likvidace tohoto typu odpadu může mít za následek pokuty v souladu s vnitrostátními předpisy.



Vážený zákazník,

ďakujeme vám za zakúpenie nášho produktu. Pred prvým použitím si prosím starostlivo prečítajte nasledujúce pokyny a tento manuál si uschovajte pre budúce použitie. Venujte zvláštnu pozornosť bezpečnostným pokynom. Ak máte akékoľvek otázky alebo pripomienky k produktu, kontaktujte zákaznícku linku.

✉ www.alza.sk/kontakt

☎ +421 257 101 800

Dovozca Alza.cz a.s., Jankovcova 1522/53, Holešovice, 170 00 Praha 7, www.alza.cz

Obsah balenia?



1. Adaptér 3/8" na 5/8" a 2. Stolné rameno



3. Mikrofón



4. pop filter



5. Kovový krúžok so závitom



6. C-svorka

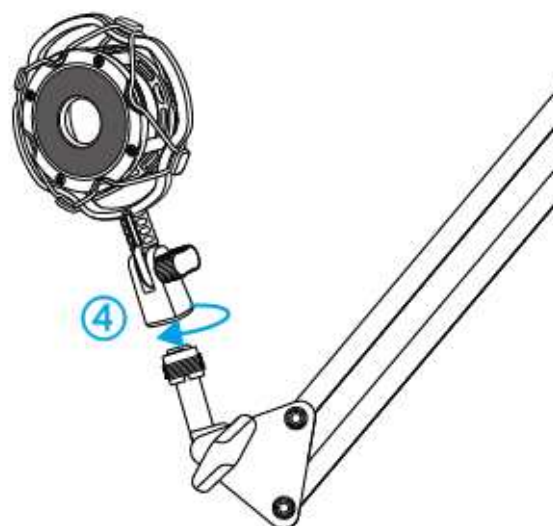
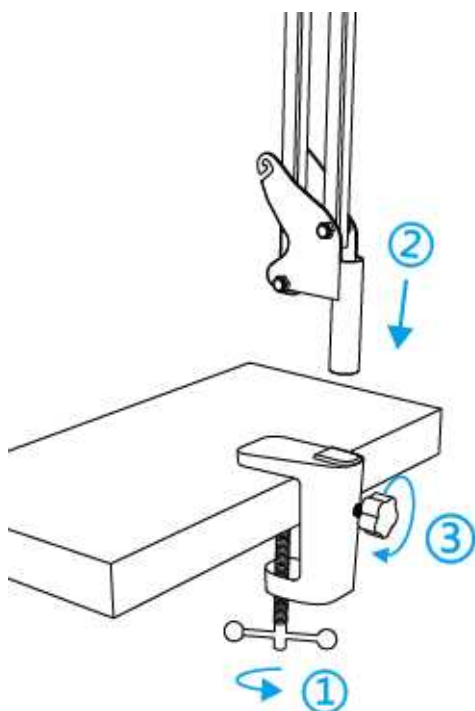


7. Kábel USB 2,5 M



8. Upevnenie proti otrasom

Inštalácia stojana mikrofónu na stôl



1. Zaskrutkujte spodnú časť C-svorčky tak, aby bola pevne utiahnutá a zaistená.
2. Zasuňte rameno stojana do otvoru.
3. Upevnite skrutku.
4. Upevnite držiak proti otrasom s ramenom stojana.

Poznámka:

Po utiahnutí skrutky na C-svorke ramenom NEOTÁČAJTE. Najprv skrutku povolte, upravte polohu ramena a potom ho utiahnite.

Presne ho pripevnite na pracovnú plochu pomocou priloženej C-svorčky:

Príliš zaoblené alebo previsnuté hrany pracovnej plochy nie sú dobrým montážnym povrchom.



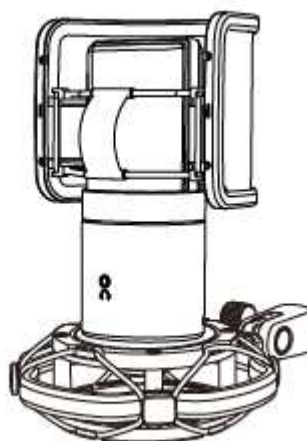
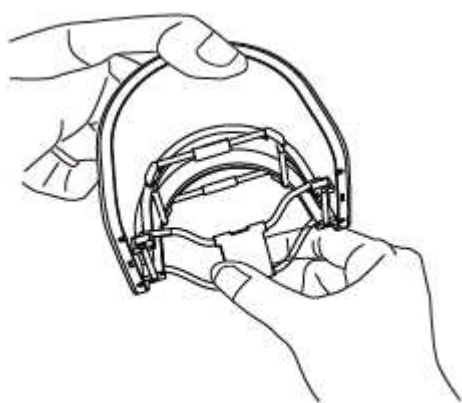
Stručný sprievodca inštaláciou

1. Pripojte mikrofón k držiaku proti otrasom.

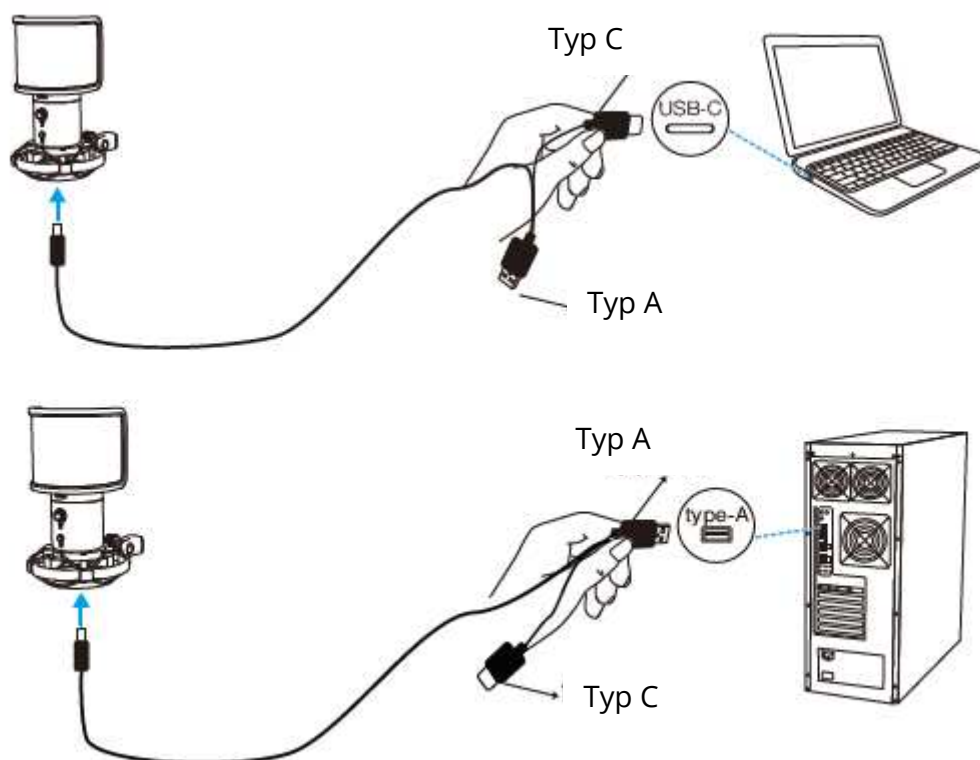


Strana držiaka proti nárazom s gumovou podložkou by mala byť smerom hore.

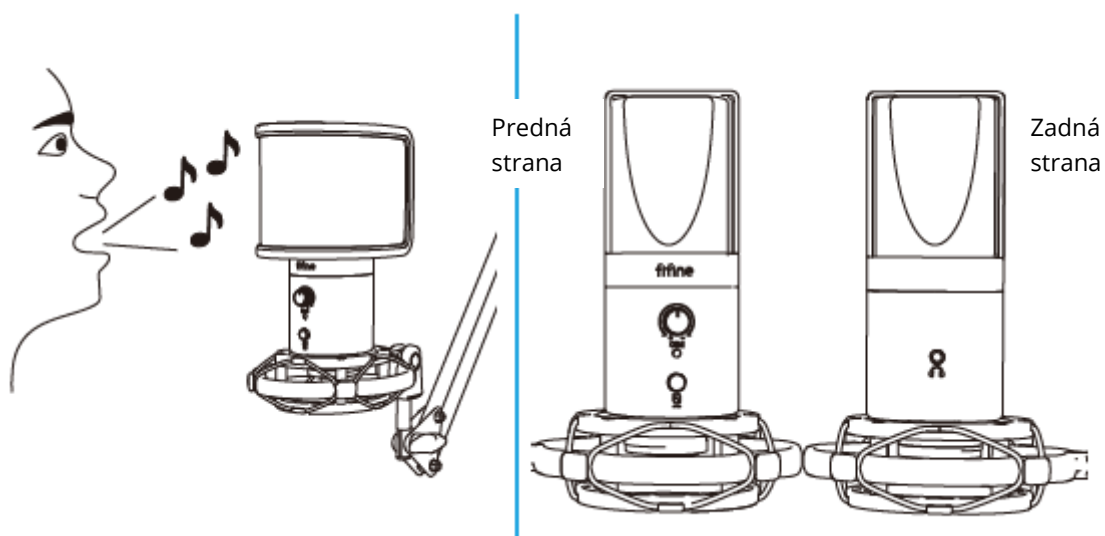
2. Pomocou priloženého pop filtra možno odfiltrovať ostré zvuky „p“, „t“ a „b“ a zlepšiť kvalitu zvuku.



3. Dodaný kábel USB pevne zapojte do výstupu USB na spodnej strane mikrofónu. Pripojte konektor USB A alebo konektor USB C k portu USB počítača. Záleží na tom, aké dostupné porty USB sú na vašom počítači.



4. Mikrofón vždy smerujte prednou stranou (stranou s logom „f“) k zdroju zvuku. Nehovorte ani nespievajte smerom k zadnej časti mikrofónu (strana s konektorom pre slúchadlá).



5. Pri pripájaní mikrofónu k portu USB nechajte hlasitosť úplne zníženú a počas používania postupne zvyšujte hlasitosť, aby ste dosiahli dokonalý efekt.

Ovládanie hlasitosti

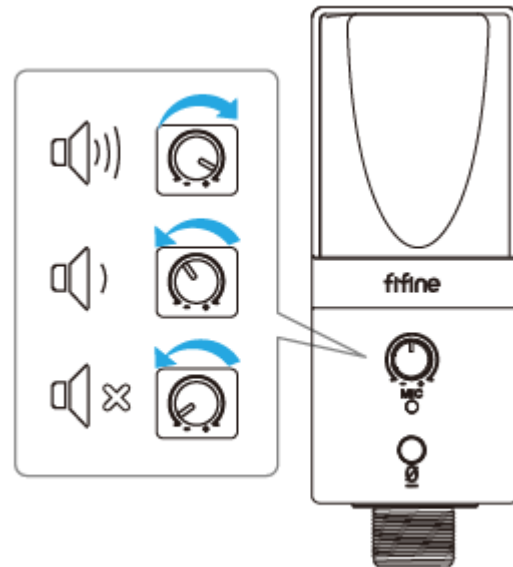
Zvýšenie hlasitosti:

V smere hodinových ručičiek (otočte doprava)

Zníženie hlasitosti:

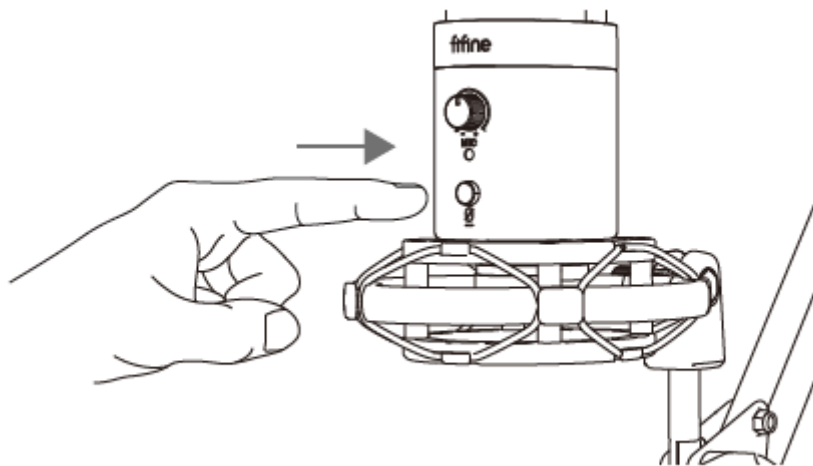
Proti smeru hodinových ručičiek (Otočte sa doľava)

Stlmiť zvuk: Proti smeru hodinových ručičiek (Otočiť maximálne doľava)



Tlačidlo stlmenia zvuku

Stlačením tlačidla stlmíte/odpojíte mikrofón.



Červená = mikrofón je stlmený

Zelená = mikrofón je zapnutý

Keď sa chystáte používať mikrofón, uistite sa, že kontrolka LED svieti na zeleno.

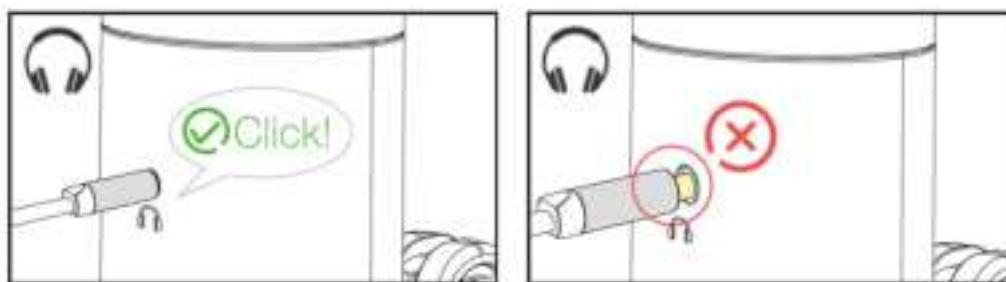
Výstup pre slúchadlá

Mikrofón T683 je vybavený štandardným konektorom 1/8" (3,5 mm) pre slúchadlá pre monitorovanie a prehrávanie.

Po pripojení mikrofónu k počítaču a potvrdenie, že je východiskovým vstupným/výstupným zariadením v počítači, môžete zapojiť slúchadlá do diery pre slúchadlá na mikrofóne a sledovať svoj hlas v reálnom čase alebo počúvať prehrávanie/zvuk počítača.

Poznámka:

1. Uistite sa, že ste slúchadlá zapojili do konektora slúchadiel mikrofónu úplne.



2. Ak je mikrofón zapnutý (kontrolka LED svieti na zeleno) a neprepnete Mic Gain na nulu, budete počuť svoj hlas naraz. Nie je potrebné prihlasovať žiadny nahrávací softvér (systémy Apple-Macintosh) ani klikať na tlačidlo „počúvať toto zariadenie“. (Systémy Windows).

3. Hlasitosť zvuku počítača môžete upraviť zvýšením alebo znížením výstupnej hlasitosti v nastaveniach zvuku počítača.

Nastavenie počítača

Apple Mac OS

1. Pripojte mikrofón k počítaču. Indikátor LED sa ihneď rozsvieti na zeleno, čo znamená, že mikrofón je zapnutý. (Ak je indikátor červený, stlačte tlačidlo stlmenia, aby sa rozsvietil zelene.) Počítač automaticky nainštaluje ovládač mikrofónu. Nemusí sa však objaviť žiadna vyskakovacia správa, ktorá by tento proces pripomínala.

2. Prejdite do predvolieb systému.



3. Kliknutím na tlačidlo Zvuk zobrazíte panel predvolieb zvuku.



4. Kliknite na kartu Input a ako zariadenie na vstup zvuku vyberte „FIFINE 683 Microphone“.



5. Po pripojení slúchadiel ku konektoru mikrofónu môžete mikrofón monitorovať. Ak chcete počúvať zvuk počítača a monitorovať mikrofón zo slúchadiel, kliknite na kartu Výstup a ako výstupné zariadenie vyberte „FIFINE 683 Microphone“.



Upozornenie:

- Ak má váš Mac iba port USB C, pripojte k nemu mikrofón cez konektor USB C priloženého kábla USB.
- Mikrofón T683 sa po pripojení k počítaču Mac automaticky stane východiskovým výstupným zariadením. Ak narazíte na nasledujúce problémy, zmeňte prosím výstupné zariadenie na interné reproduktory.
 - 1) Systémová hudba sa náhle zastaví, akonáhle mikrofón pripojíte k počítaču.
 - 2) Pri hlasových chatoch alebo videohovoroch vás ostatní pri použití mikrofónu počujú, ale vy ich nepočujete.
 - 3) Pri počúvaní prehrávaného záznamu nie je z počítača vysielaný žiadny zvuk.

Dva spôsoby sledovania zvuku

- 1) Pripojte slúchadlá do konektora pre slúchadlá na mikrofónu a môžete monitorovať zvuk naraz.
- 2) Pokiaľ k MacBooku pripojíte slúchadlá a chcete monitorovať zvuk, musíte použiť ľubovoľný nahrávací softvér. (Napríklad QuickTime Player).
 - a. Otvorenie prehrávača QuickTime Player
 - b. Prejdite na „Súbor“ -> „Nový zvukový záznam“.
 - c. Kliknite na šípku vedľa tlačidla Záznam. Potom vyberte tento mikrofón.
 - d. Monitorovanie zvuku počas nahrávania. Pri používaní prevode reči na text v MacBooku vyberte predvolený softvér Diktovanie a reč a v okne Diktovanie kliknite na „Zapnuté“, aby softvér rozpoznal váš mikrofón.

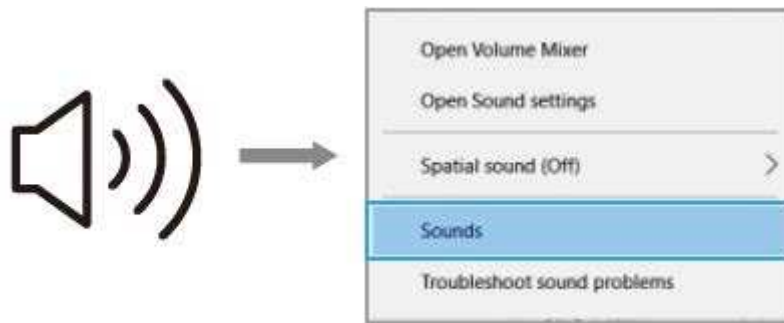


Windows

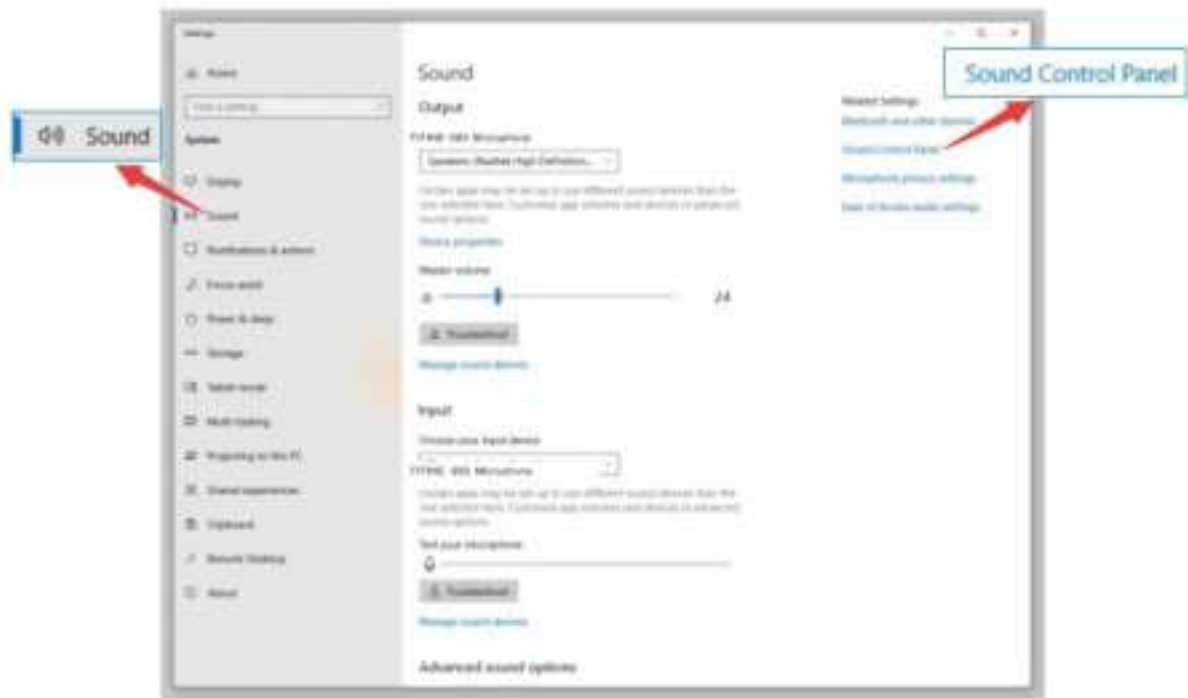
Vstupné nastavenia

Pripojte mikrofón k počítaču. Indikátor LED sa ihneď rozsvieti na zeleno, čo znamená, že je mikrofón zapnutý. (Ak je indikátor červený, stlačte tlačidlo stlmenia, aby sa rozsvietil zelene.) Počítač automaticky nainštaluje ovládač mikrofónu. Nemusí sa však objaviť žiadna vyskakovacia správa, ktorá by tento proces pripomínala.

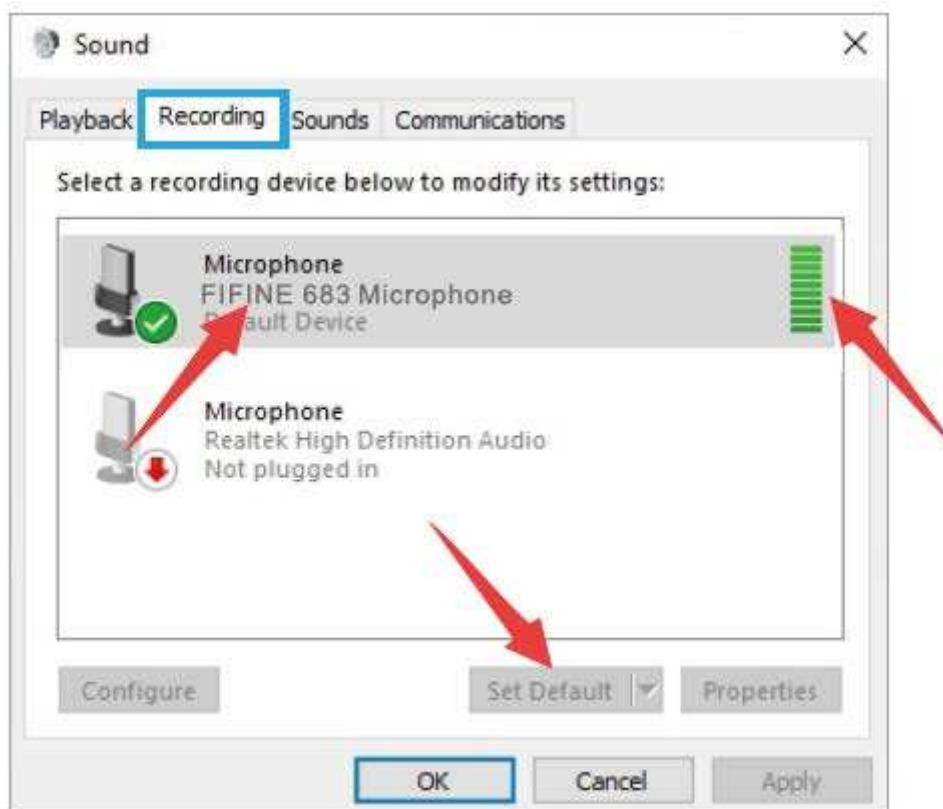
- 1) Kliknite pravým tlačidlom myši na ikonu reproduktora v pravom dolnom rohu obrazovky. Kliknite na „Sounds“ (Zvuky) alebo „Open Sound Settings“ (Otvoriť nastavenia zvuku).



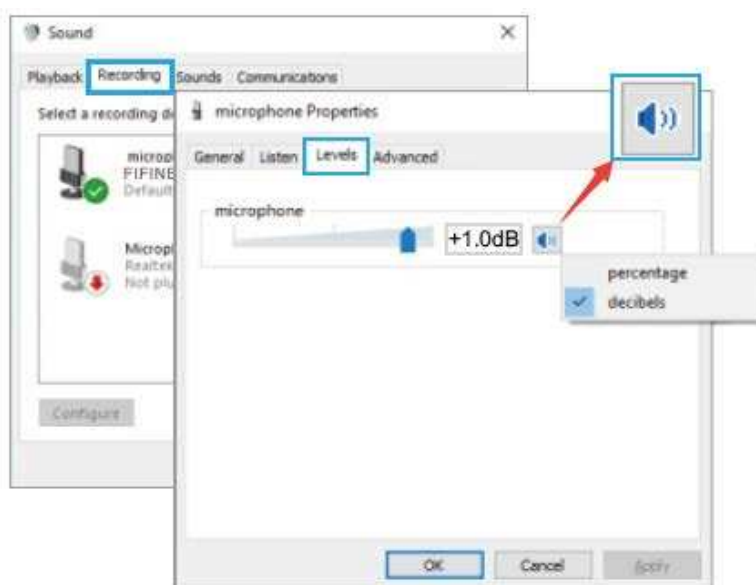
2) Kliknite na ovládací panel Zvuk.



3) Kliknite na kartu Nahrávanie a ako predvolené zariadenie vyberte „FINE 683 Microphone“. Keď hovoríte do mikrofónu, merač hlasitosti zozelenie a začne poskakovať. Pokiaľ zostane bez zmeny, resetujte počítač a znova zapojte mikrofón do dostupných USB portov počítača.



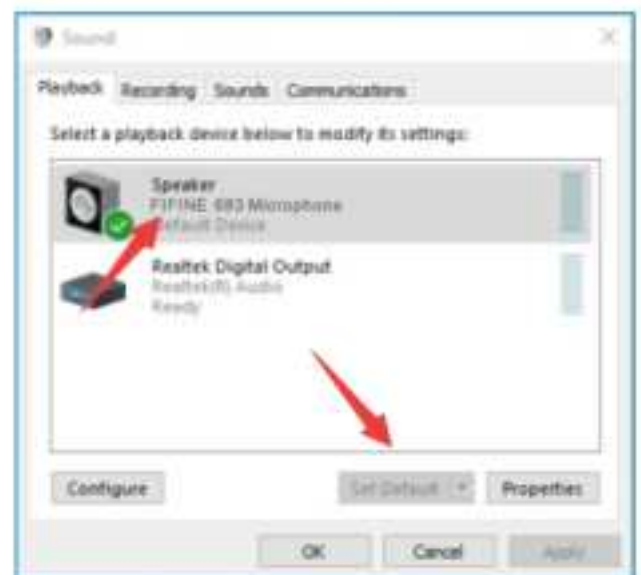
3)Úprava hlasitosti vstupu - Dvojklikom na „FIFINE 6) 83 Mikrofón” otvorte okno Vlastnosti mikrofónu. Kliknite pravým tlačidlom myši na ikonu reproduktora v záložke Levels (Úrovne), zmeňte hodnotu na decibely z percent. Ak chcete dosiahnuť najlepší zvuk mikrofónu, nastavte úroveň mikrofónu v tomto rozsahu (0 dB až 1 dB), keď je výstup reproduktora nastavený na maximum.



Poznámka: Uistite sa, že gombík mikrofónneho zosilnenia nie je nastavený na nulu.

Nastavenie výstupu

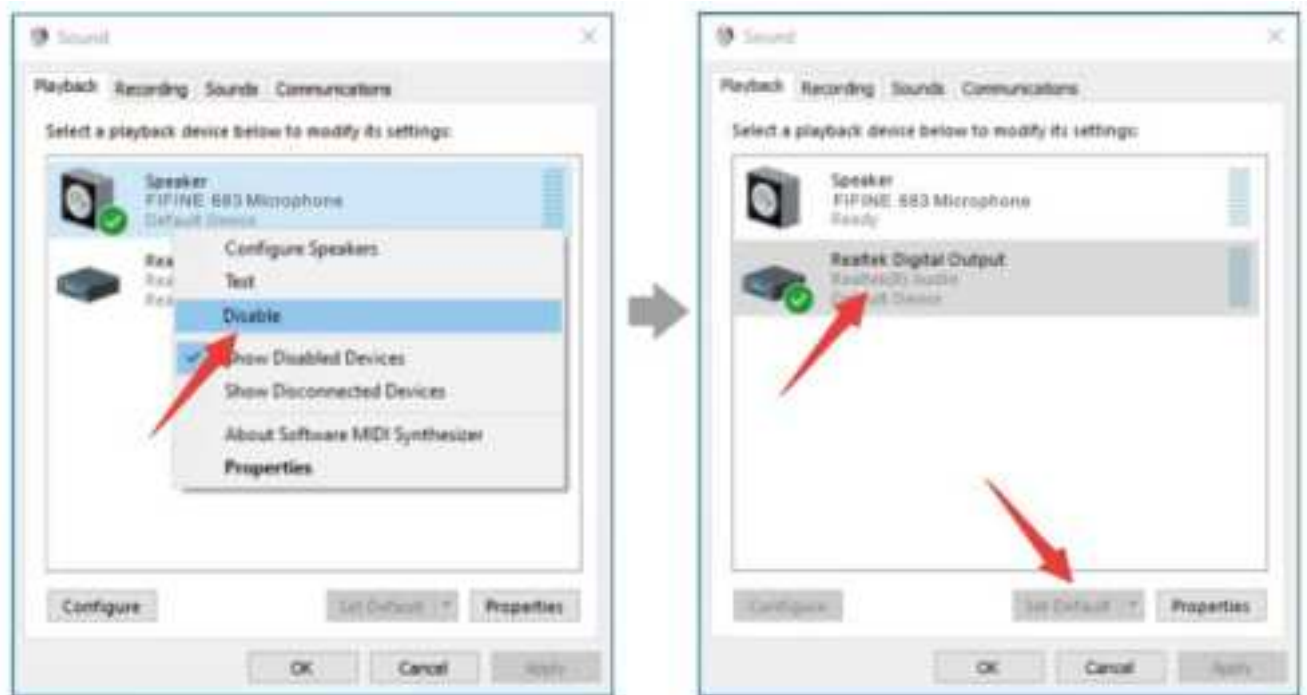
1) Vyvedenie zvuku z počítača z 3,5 mm konektora na mikrofónu. Slúchadlá zapojte do konektora pre slúchadlá na zadnej strane mikrofónu T683. Kliknite na kartu „Playback“ (Prehrávanie) na paneli Sound (Zvuk) a ako predvolené výstupné zariadenie vyberte „FIFINE 683 Microphone“ (Mikrofón FIFINE 683).



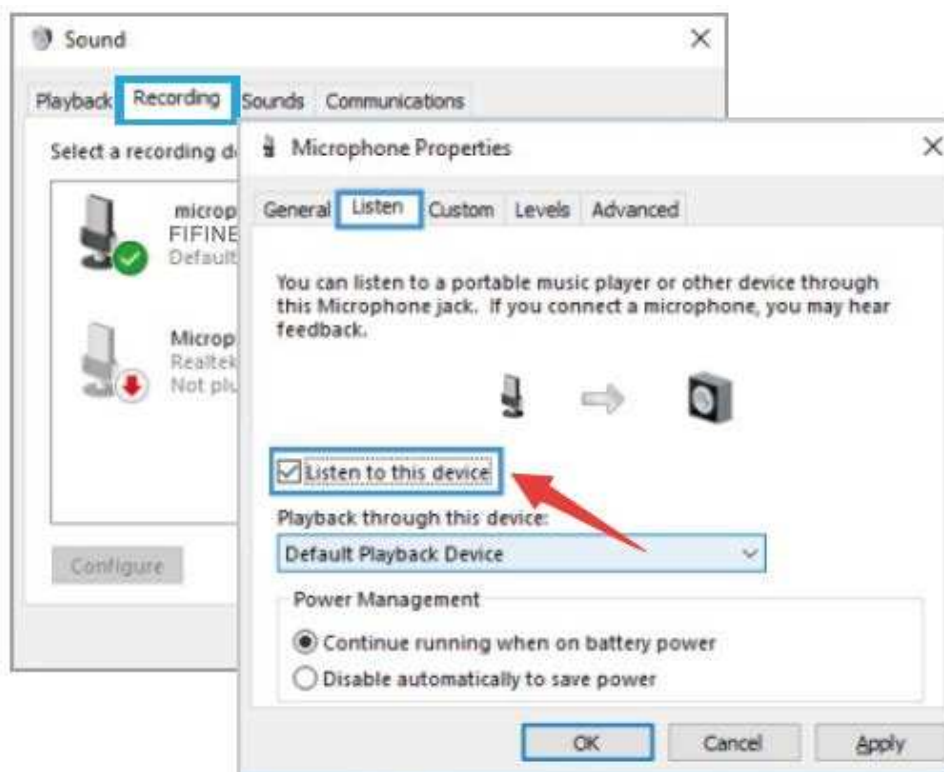
Kliknite na reproduktor (mikrofón FIFINE 683) - Vlastnosti - Úrovne a potiahnutím posuvníka upravte hlasitosť výstupu.

2) Výstup zvuku z počítača.

Kliknite na kartu „Playback“ (Prehrávanie) na paneli Sound (Zvuk) a ako predvolené výstupné zariadenie vyberte „Realtek High-Definition Audio!“. Potom budete počuť zvuk z počítača.



Ak chcete aj monitorovať mikrofón, kliknite na kartu „Nahrávanie“ a na položku Mikrofón FIFINE 683 - Vlastnosti - Počúvanie - začiarknite políčko „Počúvať toto zariadenie“ - Použiť.



Kliknite na používaný reproduktor - Vlastnosti - Úrovne a potiahnutím upravte hlasitosť výstupu.

Poznámka: (Platí pre MAC a Windows)

1. Ak počítač zobrazí hlásenie, že nemôže identifikovať toto zariadenie USB, reštartujte počítač a znovu pripojte mikrofón do iného portu USB.
2. Označte políčko „Počúvať toto zariadenie“, ak používate akýkoľvek nahrávací softvér alebo softvér pre chatovanie (napr. Skype), inak by ste počuli dvojité zvuk rovnako ako ozvenu.
3. Ak je mikrofón rozpoznávaný, ale nevychádza z neho žiadny zvuk, skontrolujte, či je funkcia System Sound stlmená a či ste otočili gombík na mikrofóne na minimum. Skontrolujte, či je indikátor LED zelený (znamená, že je mikrofón zapnutý).
4. Ak váš počítač používa systém Windows 10, prejdite do nastavení > súkromia > mikrofón a kliknite na položku Povoľiť aplikáciám prístup k mikrofóne na hodnotu ZAPNUTÉ a reštartujte ho.

Nastavenie nahrávacieho softvéru

1. Pri použití nahrávacieho softvéru vyberte v nastavení ako vstupné zariadenie „FIFINE 683 Microphone“. Vezmite si napríklad Audacity.

Ak monitorujete zvuk zo slúchadlového konektora počítača, vyberte ako výstupné zariadenie „Realtek High-Definition Audio“. Ak monitorujete zo slúchadlového konektora mikrofóne, vyberte ako výstupné zariadenie mikrofón FIFINE 683.



Input: FIFINE 683 Microphone



Output: Pls choose correct output

Poznámka: Ak nahrávací softvér (napr. Audacity) mikrofón nerozpozná, najprv ho odhláste, znovu pripojte mikrofón k počítaču a znovu spustíte softvér. Potom sa mikrofón objaví v otváracíj ponuke vstupného zariadenia.

2. Pri používaní akéhokoľvek nahrávacieho softvéru nezabudnite zaškrtnúť políčko „Počúvať toto zariadenie“, inak by ste počuli svoj hlas zdvojene ako veľkú ozvenu.



3. Existuje niekoľko spôsobov, ako nahrávku pomocou programu Audacity vylepšiť. Bežte na stránky <https://fifinemicrophone.com/blogs/news> a vyhľadajte lepšie riešenie alebo HĽADAJTE ŠIROKÝM VYHĽADÁVANÍM tému, ktorá vás zaujíma, v našich blogov.
4. Pre počítače so systémom Windows odporúčame použiť Audacity. U počítačov Apple môžete na otestovanie záznamu použiť QuickTime Player.

Dôležité upozornenie

Nastavenie úrovni hlasitosti

Pre optimálny výkon je dôležité správne nastavenie úrovne mikrofónu. V ideálnom prípade by mala byť úroveň mikrofónu čo najvyššia bez toho, aby došlo k preťaženiu vstupu počítača. Ak počujete skreslenie alebo ak váš nahrávací program ukazuje trvalo preťažené úrovne (pri špičkových úrovniach), znížte zosilnenie (alebo úroveň) mikrofónu, a to buď pomocou gombíka na mikrofóne, v nastavení systému alebo prostredníctvom nahrávacieho softvéru. Ak váš nahrávací program ukazuje nedostatočnú úroveň, môžete zosilnenie mikrofónu zvýšiť buď prostredníctvom gombíka na mikrofóne, systémových nastavení, alebo prostredníctvom nahrávacieho softvéru.

Výber softvéru

V oblasti nahrávacieho softvéru máte na výber z mnohých možností. Široko používaným softvérom je Audacity, ktorý je zdarma k dispozícii online na adrese <http://audacity.sourceforge.net/>. Poznámka: Najprv je potrebné zapojiť mikrofón do počítača a potom spustiť nahrávací softvér. Ak mikrofón pripojíte k počítaču až po spustení softvéru, softvér nemusí mikrofón rozpoznať.

Umiestnenie mikrofónu

Pre dosiahnutie najlepšej frekvenčnej odozvy je dôležité, aby mikrofónna kapsula (strana s tlačidlom stlmenia) mierila na ústa používateľa, nástroj alebo iný zdroj zvuku. Na použitie pri hovorení/speve je ideálna poloha mikrofónu priamo pred osobou, ktorá hovorí/spieva. Rovnaká poloha je optimálna pri nahrávaní nástroja, ako je akustická gitara, bicie alebo klavír. Vyskúšajte mikrofón v rôznych polohách, aby ste našli najlepší zvuk pre konkrétne nastavenie.

Ochrana mikrofónu

Nenechávajte mikrofón dlhší čas na voľnom priestranstve alebo na miestach, kde teplota presahuje 110 °F (43 °C). Vyhnite sa tiež extrémne vysokej vlhkosti vzduchu.

Zvoľte nastavenie výstupu

Keď pripojíte mikrofón k počítaču, zruší sa zvuk z akéhokoľvek iného prehrávaného zvukového súboru alebo pri prehrávaní nie je žiadny zvuk, ak chcete vyvieť zvuk z počítača cez vstavaný reproduktor počítača, musíte ručne vybrať „reproduktor (Realtek High-Definition Audio)“ ako predvolené zariadenie pre prehrávanie.

Špecifikácia

Napájanie:	5 V/65 mA \pm 5 mA
Prevádzkový prúd:	34 mA
Polárny vzor:	Kardioida
Frekvenčná odozva:	40 Hz – 18 kHz
Citlivosť:	-45 \pm 3 dB
Pomer S/N:	75 dB
Max. SPL:	100 dB

Záručné podmienky

Na nový výrobok zakúpený v predajnej sieti Alza.cz sa vzťahuje záruka 2 roky. V prípade potreby opravy alebo iného servisu v záručnej dobe sa obráťte priamo na predajcu výrobku, je nutné predložiť originálny doklad o kúpe s dátumom nákupu.

Za rozpor so záručnými podmienkami, pre ktorý nemožno reklamáciu uznať, sa považujú nasledujúce skutočnosti:

- Používanie výrobku na iný účel, než na ktorý je výrobok určený alebo nedodržiavanie pokynov pre údržbu, prevádzku a servis výrobku.
- Poškodenie výrobku živelnou pohromou, zásahom neoprávnenej osoby alebo mechanicky vinou kupujúceho (napr. pri preprave, čistení nevhodnými prostriedkami a pod.).
- Prirodzené opotrebovanie a starnutie spotrebného materiálu alebo súčastí počas používania (napr. batérií atď.).
- Pôsobenie nepriaznivých vonkajších vplyvov, ako je slnečné žiarenie a iné žiarenie alebo elektromagnetické pole, vniknutie kvapaliny, vniknutie predmetu, preťaženej siete, elektrostatický výboj (vrátane blesku), chybné napájacie alebo vstupné napätie a nevhodná polarita tohto napätia, chemické procesy, napr. použité zdroje atď.
- Ak niekto vykonal úpravy, modifikácie, zmeny konštrukcie alebo adaptácie za účelom zmeny alebo rozšírenia funkcií výrobku oproti zakúpenej konštrukcii alebo použitie neoriginálnych súčastí.

EÚ prehlásenie o zhode

Identifikačné údaje splnomocneného zástupcu výrobcu/dovozcu:

Dovozca: Alza.cz a.s.

Sídlo spoločnosti: Jankovcova 1522/53, Holešovice, 170 00 Praha 7

IČO: 27082440

Predmet prehlásenia:

Názov: Mikrofón

Model/typ: T683

Vyššie uvedený výrobok bol testovaný v súlade s normou (normami) použitou (použitými) na preukázanie zhody so základnými požiadavkami stanovenými v smernici (smerniciach):

Smernica č. (EÚ) 2014/30/EÚ

Smernica č. (EÚ) 2011/65/EÚ v znení 2015/863/EÚ



WEEE

Tento výrobok nesmie byť likvidovaný ako bežný domový odpad v súlade so smernicou EÚ o odpade z elektrických a elektronických zariadení (WEEE - 2012/19/EÚ). Namiesto toho musí byť vrátený na miesto nákupu alebo odovzdaný na verejné zberné miesto recyklovateľného odpadu. Tým, že zaistíte správnu likvidáciu tohto výrobku, pomôžete predísť možným negatívnym vplyvom na životné prostredie a ľudské zdravie, ktoré by inak mohli byť spôsobené nevhodným nakladaním s odpadom z tohto výrobku. Ďalšie informácie získate na miestnom úrade alebo na najbližšom zbernom mieste. Nesprávna likvidácia tohto typu odpadu môže mať za následok pokuty v súlade s vnútroštátnymi predpismi.



A termék felhasználói kézikönyve tartalmazza a termék jellemzőit, a használat módját és az üzemeltetési eljárást. Olvassa el figyelmesen a felhasználói kézikönyvet a legjobb élmény érdekében, és a felesleges károk elkerülése érdekében. Tartsa meg ezt a kézikönyvet a későbbi használatra. Ha bármilyen kérdése vagy észrevétele van a készülékkel kapcsolatban, kérjük, forduljon az ügyfélvonalhoz.

✉ www.alza.hu/kapcsolat

☎ +36-1-701-1111

Importőr Alza.cz a.s., Jankovcova 1522/53, Holešovice, 170 00 Prága 7, www.alza.cz

Mi van a dobozban?



1. 3/8" - 5/8" adapter és 2. Asztali gémkar



3. Mikrofon



4. pop Filter



5. Menetes fémgyűrű



6. C-csavaros fogó

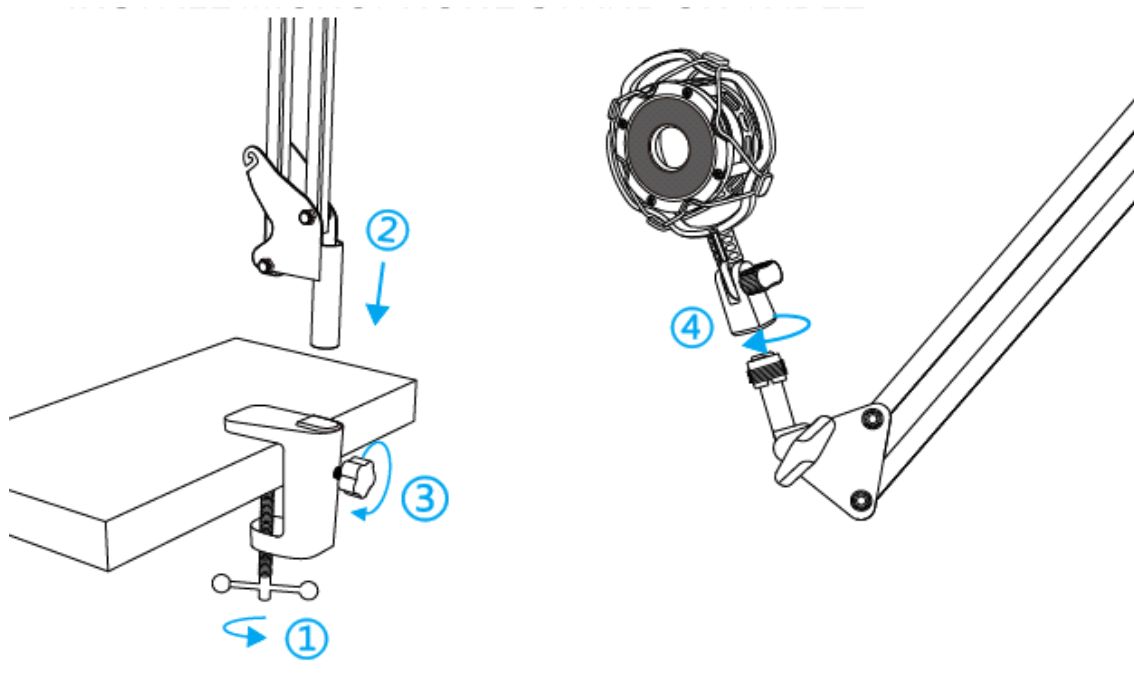


7. 2,5 M USB kábel



8. Rengéscsillapító

A mikrofonállvány telepítése az asztalra



1. Csavarja a C-fogó alsó részét, amíg szorosan és biztonságosan nem rögzül.

2. Illessze az állvány kart (a végét csavar nélkül) a C-bilincs fogolyába.
3. Rögzítse a csavart
4. Rögzítse az ütésgátló tartót az asztali gémmel

Megjegyzés:

NE forgassa el a gémmel, amikor a C- fogó csavarját meghúzza. Először lazítsa meg a csavart, állítsa be a kar helyzetét, majd húzza meg.

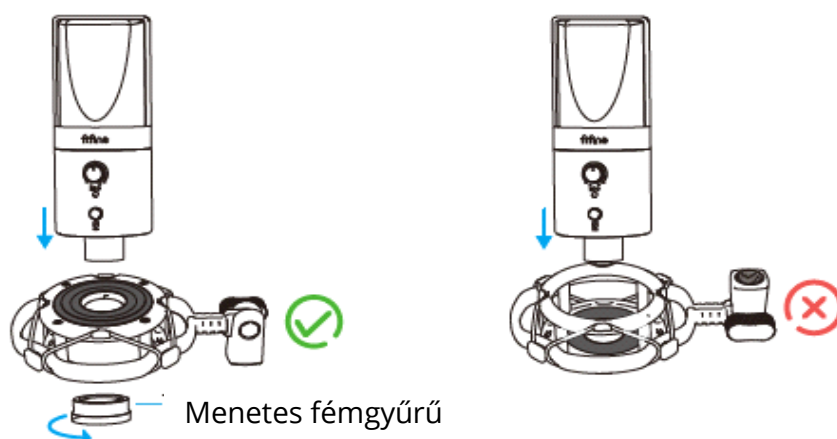
A pontos rögzítés a mellékelt C-fogó segítségével az asztalra:

Csavarja ki a C-bilincset, és helyezze az íróasztal oldalára, ügyelve arra, hogy a C-fogó felső és alsó része is sík felületen helyezkedjen el. A túlságosan lekerekített vagy túlnyúló asztali élék nem mutatkoznak jó rögzítési felületnek



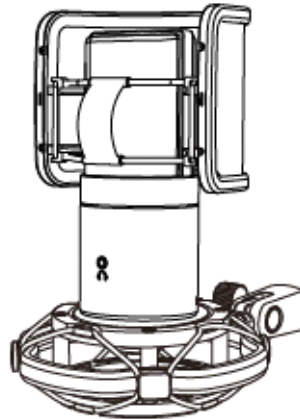
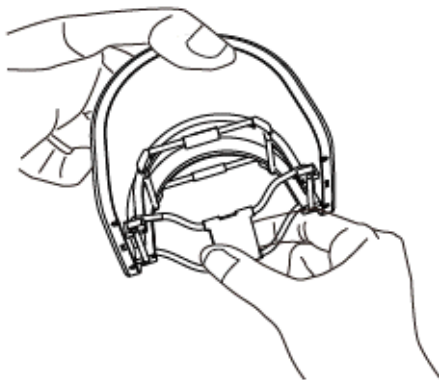
Rövid telepítési útmutató

1. Csatlakoztassa a mikrofont a rengéscsillapító tartóhoz.

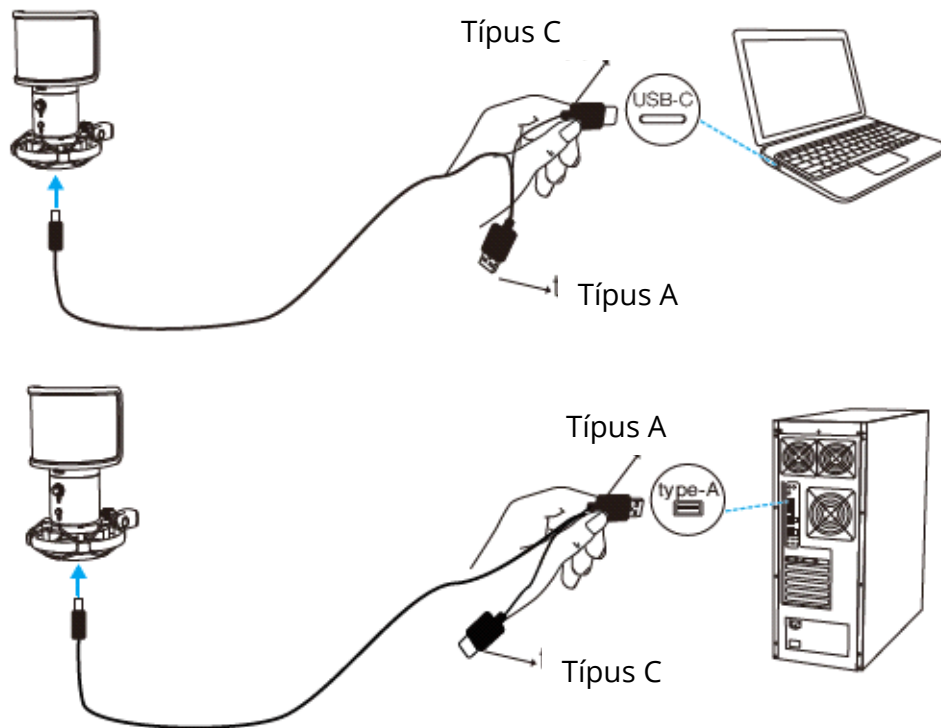


A rengéscsillapító tartó gumipárnával ellátott oldalának felfelé kell néznie.

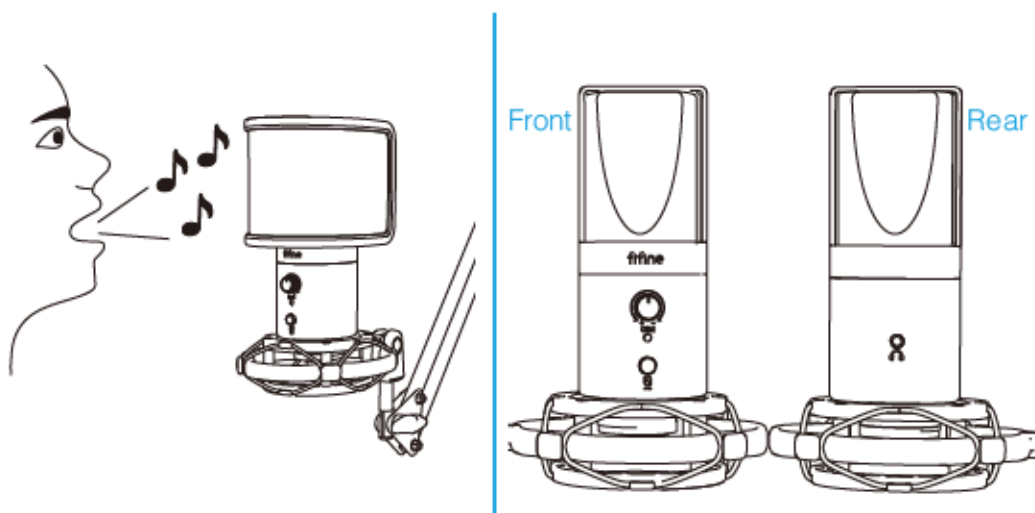
2. A mellékelt popszűrő használatával kiszűrheti a durva "p", "t" és "b" hangokat, és javíthatja a hangminőséget.



3. Szorosan csatlakoztassa a mellékelt USB-kábelt a mikrofon alján található USB-kimenethez. Csatlakoztassa az USB A csatlakozót VAGY az USB C csatlakozót a számítógép USB-portjához. Ez attól függ, hogy milyen rendelkezésre álló USB-portok vannak a számítógépén.

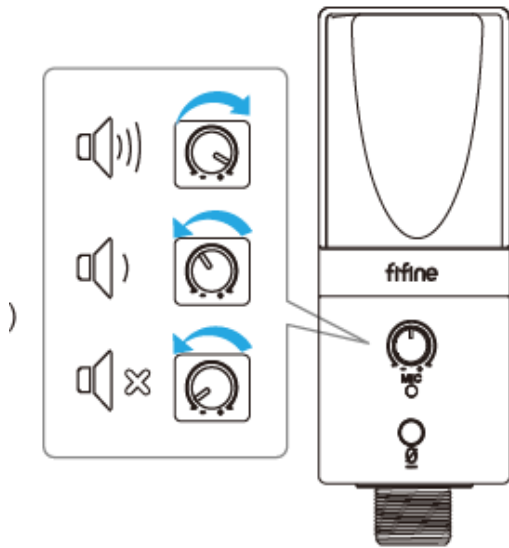


4. A mikrofon eleje (a " " logóval ellátott oldal) mindig a hangforrás felé nézzen. Ne beszéljen vagy énekeljen a mikrofon hátuljával (a fejhallgató-csatlakozóval ellátott oldal) szemben.



5. Tartsa a hangerőt teljesen lefelé, amikor a mikrofont az USB-portba csatlakoztatja, és fokozatosan kapcsolja fel a hangerőt a tökéletes hatás érdekében a használat során.

Hangerőszabályzó



Hangerő fel:

Az óramutató járásával megegyezően (jobbra)

Hangerő le:

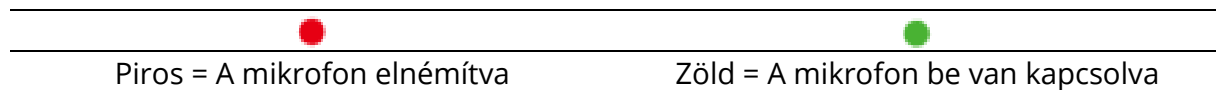
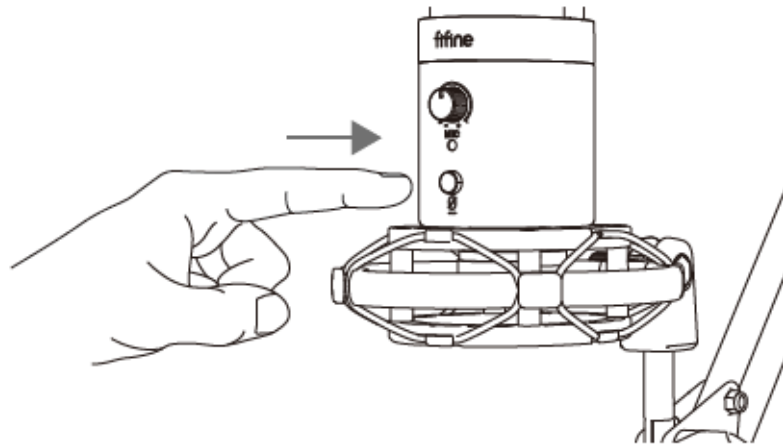
Az óramutató járásával ellentétes irányban (forduljon balra)

Néma: Az óramutató járásával ellentétes irányban

(Fordítsa maximálisan balra)

Néma gomb

Nyomja meg a gombot a mikrofon elnémításához/feloldásához.



Győződjön meg róla, hogy a LED-lámpa zöld színű, amikor használni kívánja a mikrofont.

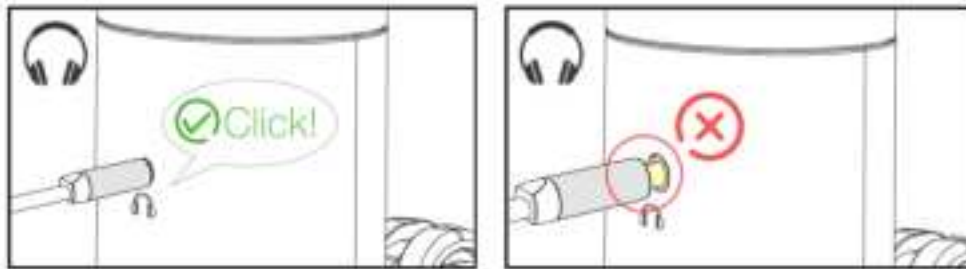
Fejhallgató kimenet

A T683 mikrofonhoz tartozik egy szabványos 1/8" (3,5 mm) fejhallgató-csatlakozó a felvevéshez és a lejátszáshoz.

Miután csatlakoztatta a mikrofont a számítógépéhez, és megerősítette, hogy ez az alapértelmezett bemeneti/kimeneti eszköz a számítógépén, bedughatja a fejhallgatót a mikrofon fejhallgató-csatlakozójába, hogy valós időben figyelje a hangját, vagy meghallgassa a lejátszás/számítógép hangját.

Megjegyzés:

1. Győződjön meg róla, hogy a fejhallgatót teljesen bedugja a mikrofon fejhallgató-csatlakozójába.



2. Ha a mikrofon be van kapcsolva (a LED fénye zöld), és a Mic Gain-t nem állítja nullára, akkor azonnal hallani fogja a hangját. Nem kell bejelentkeznie semmilyen rögzítő szoftverbe (Apple-Macintosh rendszerek) vagy a "hallgasd meg ezt az eszközt" gombra kattintania. (Windows rendszerek).

3. A számítógép hangerejét a kimeneti hangerő fel- vagy leállításával állíthatja be a számítógép hangbeállításában.

Számítógép beállítása

Apple MacOS

1. Csatlakoztassa a mikrofont a számítógéphez. A LED-kijelző azonnal zöldre vált, ami azt jelenti, hogy a mikrofon be van kapcsolva. (Ha a LED piros, nyomja meg a némító gombot, hogy a fény zöldre változik.) A számítógép automatikusan telepíti a mikrofon eszkövezérlőjét. Előfordulhat azonban, hogy nem jelenik meg erre a folyamatra emlékeztető felugró ablak.

2. Lépjen a Rendszerbeállítások menüpontba.



3. Kattintson a Hang gombra a Hang beállítási ablaktábla megjelenítéséhez.



4. Kattintson a Bemenet fülre, és válassza ki a "FIFINE 683 Mikrofon" eszközt a hangbevitelhez.



5. A mikrofont akkor játszhatja fel, ha a fejhallgatót a mikrofon csatlakozójához csatlakoztatja. Ha a számítógép hangját szeretné hallani és a mikrofont a fejhallgatóról felvenni, kattintson a Kimenet fülre, és válassza a "FIFINE 683 Mikrofon" kimeneti eszközként.



Értesítés:

- Ha a Mac-je csak USB C porttal rendelkezik, kérjük, csatlakoztassa a mikrofont a mellékelt USB-kábel USB C csatlakozóján keresztül.
- A T683 mikrofon automatikusan alapértelmezett kimeneti eszközzé válik, amikor csatlakoztatja a Mac számítógéphez. Kérjük, változtassa meg a kimeneti eszközt a Belső hangszórókra, ha a következő problémákkal találkozik.
 - 1) A zene hirtelen leáll, amint a mikrofont a számítógéphez csatlakoztatja.
 - 2) Hangbeszélgetések vagy videohívások során a mikrofon használata esetén a többiek hallják Önt, de Ön nem hallja őket.
 - 3) A számítógépből nem jön ki hang, amikor a felvétel lejátszását hallgatja.

Kétféleképpen ellenőrizheti a hangot

1. Csatlakoztassa fejhallgatóját a mikrofon fejhallgató-csatlakozójába, és egyszerre figyelheti a hangot.
2. Ha fejhallgatót csatlakoztat a MacBookhoz, és szeretné figyelni a hangot, akkor bármilyen rögzítőszoftvert kell használhat. (Vegyünk például a QuickTime Playert).
 - a) QuickTime Player megnyitása
 - b) Válassza a "Fájl" -> "Új hangfelvétel" menüpontot.
 - c) Kattintson a Felvétel gomb melletti nyíllra. Ezután válassza ezt a mikrofont.
 - d) Figyelje a hangot felvétel közben. Válassza ki az alapértelmezett Diktálás és beszéd szoftvert, amikor a beszédből szöveget szeretne formálni a MacBookban, kattintson a "Be" gombra a Diktálás ablak alatt, hogy a mikrofonját felismerje a szoftver.

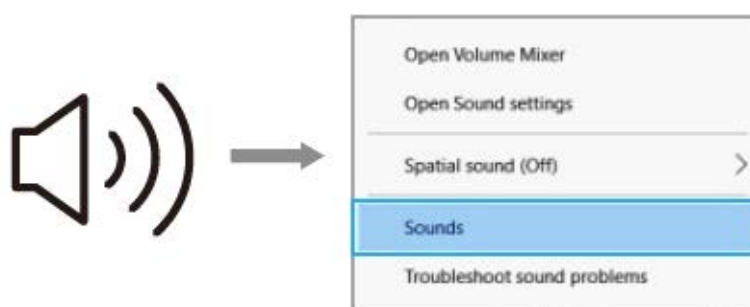


Windows

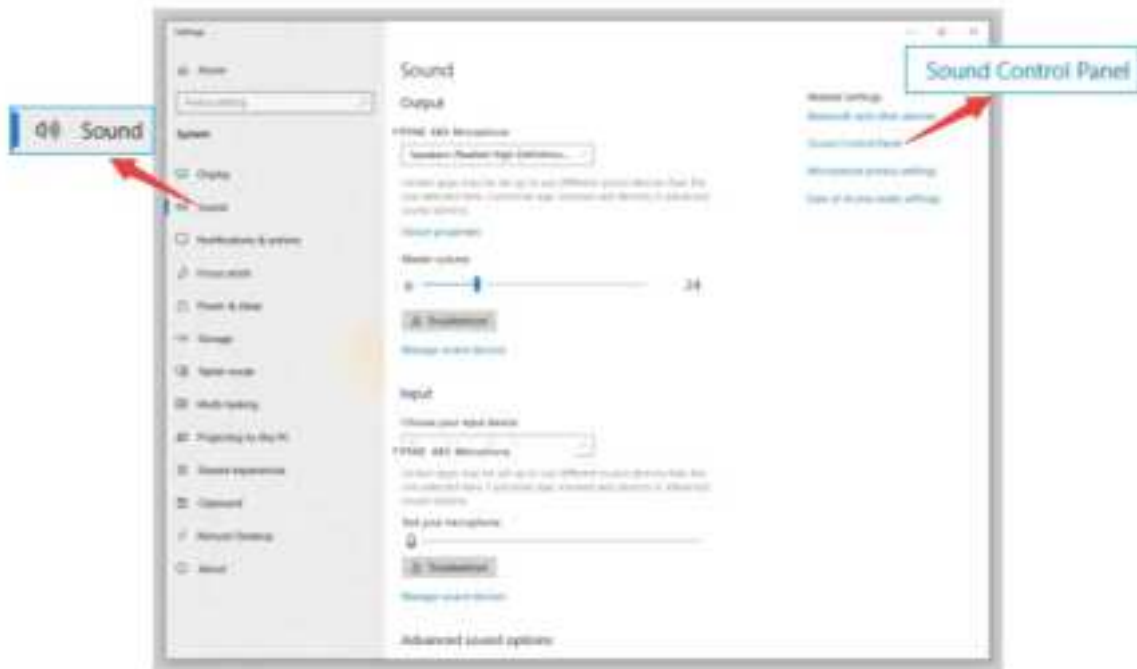
Bemeneti beállítások

Csatlakoztassa a mikrofont a számítógéphez. A LED-kijelző egyszerre zöldre vált, ami azt jelenti, hogy a mikrofon be van kapcsolva. (Ha a LED piros, nyomja meg a némító gombot, hogy a fény zöldre változzon.) A számítógép automatikusan telepíti a mikrofon eszkövezérlőjét. Előfordulhat azonban, hogy nem jelenik meg erre a folyamatra emlékeztető felugró üzenet.

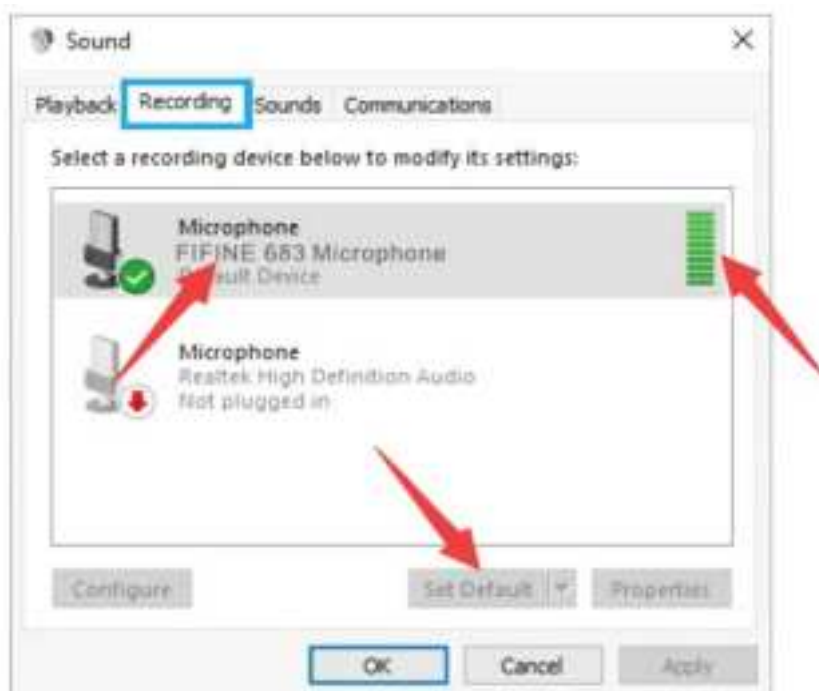
1) Kattintson a jobb gombbal a képernyő jobb alsó sarkában lévő hangszóró ikonra. Kattintson a "Hangok" vagy a "Hangbeállítások megnyitása" lehetőségre.



2) Kattintson a Hang vezérlőpanelre.



3) Kattintson a Felvétel fülre, és válassza a "FIFINE 683 Mikrofon" eszközt alapértelmezett eszközként. Amikor a mikrofonba beszél, a hangerőmérő zöldre vált és eltűnik . Ha ez változatlan marad, kérjük, állítsa vissza a számítógépet, és csatlakoztassa újra a mikrofont a számítógép rendelkezésre álló USB-portjaihoz.



4 A bemeneti hangerő beállítása - Kattintson duplán a "FIFINE 6) 83 Mikrofon" gombra a Mikrofon tulajdonságai ablak megnyitásához. Kattintson a jobb gombbal a hangszóró ikonra a Levels (Szintek) fül alatt, és váltson százalékról decibelre. A mikrofon legjobb hangzásának elérése érdekében állítsa be a mikrofon szintjét ebben a tartományban (0dB és 1dB között), amikor a hangszóró kimenete maximálisra van állítva.



Megjegyzés: Győződjön meg róla, hogy a mikrofoner őstő gombja nincs nullára állítva.

Kimeneti beállítások

1) Húzza ki a számítógép csatlakozójáról a mikrofont (3,5 mm)
Kérjük, csatlakoztassa a fejhallgatót a T683 mikrofon hátoldalán található fejhallgató-csatlakozóba. Kattintson a "Lejátszás" fülre a Hang panelben, válassza ki a "FIFINE 683 Mikrofon" opciót alapértelmezett kimeneti eszközként.



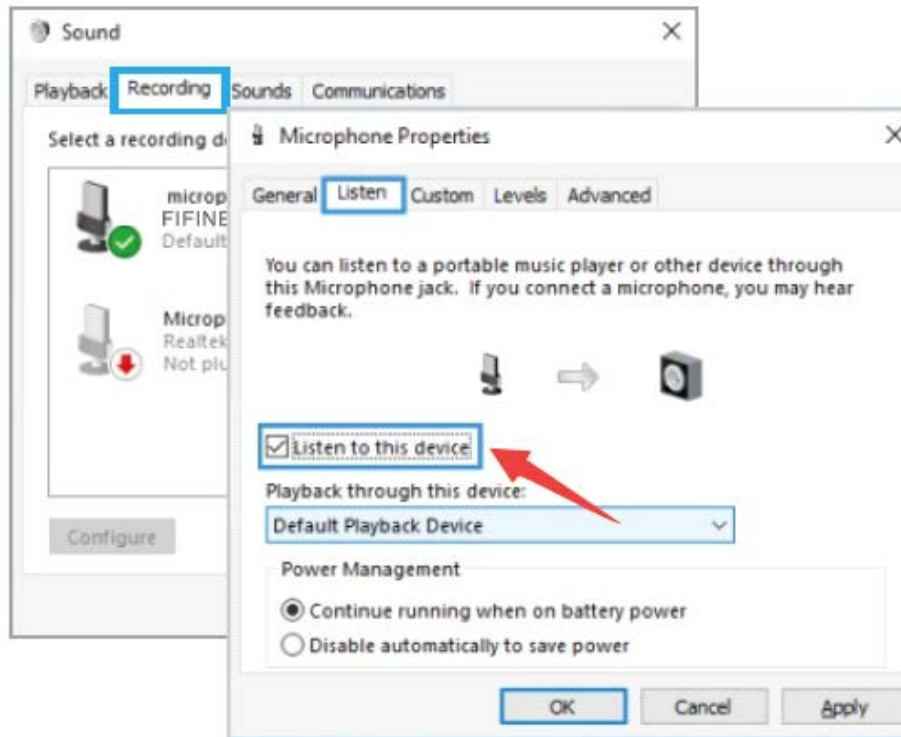
Kattintson a hangszóra (FIFINE 683 Mikrofon) - Tulajdonságok - Szintek és húzza a haladási sávot a kimenet hangerejének beállításához.

2) Kimeneti hang a számítógépről.

Kattintson a "Lejátszás" fülre a Hang ablaktáblán, válassza a "Realtek High-Definition Audio" opciót alapértelmezett kimeneti eszközként. Ezután hallani fogja a számítógép hangját.



Ha a mikrofonját is szeretné figyelni, kattintson a "Felvétel" fülre, és kattintson a FIFINE 683 Mikrofon - Tulajdonságok - Hallgatás - jelölje be a "Hallgatni ezt az eszközt" jelölőnégyzetet - Alkalmazás.



Kattintson a használt hangszóróra - Tulajdonságok - Szintek, húzza a haladási sávot a kimenet hangerejének beállításához.

Megjegyzés: (MAC és Windows operációs rendszerekhez alkalmazható)

1. Ha a számítógép azt jelzi, hogy nem tudja azonosítani ezt az USB-eszközt, indítsa újra a számítógépet, és csatlakoztassa újra a mikrofont egy másik USB-porthoz.
2. Jelölje be a "Hallgassa meg ezt az eszközt" jelölő négyzetet, ha bármilyen rögzítő vagy csevegő programot (pl. Skype) használ, különben dupla hangot hallana, akár csak a visszhang.
3. Ha a mikrofon felismerhető, de hallani hangot, ellenőrizze, hogy a Rendszerhang el van-e némítva, és hogy a mikrofonon lévő gombot a minimumra állította-e. Győződjön meg róla, hogy a LED kijelző zöld (azt jelenti, hogy a mikrofon be van kapcsolva).

4. Ha a számítógépen Windows 10 fut, kérjük, válassza a beállítások > adatvédelem > mikrofon menüpontot, és kattintson a Mikrofonhoz való hozzáférés engedélyezése alkalmazások számára ON-ra, majd indítsa újra.

Felvételi szoftver beállításai

1. Kérjük, válassza ki a "FINE 683 Mikrofon" bemeneti eszközként a beállítások közül a rögzítő szoftver használatakor. Vegyük például az Audacity-t.

Ha a hangot a számítógép fejhallgató-csatlakozójáról figyeli, válassza a "Realtek High-Definition Audio" kimeneti eszközt. Ha a mikrofon fejhallgató-csatlakozójáról monitoroz csatlakoztatja, válassza a FINE 683 mikrofont kimeneti eszközként.



Input: FINE 683 Microphone



Output: Pls choose correct output

Megjegyzés: Ha a felvételi szoftver (például az Audacity) nem ismeri fel a mikrofont, kérjük, először jelentkezzen ki a szoftverből, majd csatlakoztassa újra a mikrofont a számítógéphez, és indítsa el újra a szoftvert. Ekkor a mikrofon a bemeneti eszköz legördülő opciójában lesz.

2. Győződjön meg róla, hogy a hangrendszerből kipipálja a "Hallgassa meg ezt az eszközt" jelölő négyzetet, amikor bármilyen felvételi szoftvert használ, különben visszhangot hallana magáról.



3. Az Audacity segítségével többféleképpen is javíthatja a felvételt. Jöjjön a <https://fifinemicrophone.com/blogs/news> oldalra, hogy megkeresse a jobb megoldást, vagy keressen a blogjainkban az Önt érintő témában.

4. Windows számítógépek esetén az Audacity használatát javasoljuk. Apple számítógépek esetében a QuickTime Player segítségével tesztelheti a felvételt.

Fontos közlemény

A hangerőszintek beállítása

A mikrofon szintjének helyes beállítása fontos az optimális teljesítményhez. Ideális esetben a mikrofon szintjének a lehető legmagasabbnak kell lennie anélkül, hogy túlterhelné a számítógép bemenetét. Ha torzítást hall, vagy ha a felvételi programja következetesen túlterhelt (csúcsszintű) szinteket mutat, állítsa lejjebb a mikrofon erősítését (vagy szintjét), akár a mikrofonon lévő gombon, akár a rendszerbeállításokban, akár a felvételi szoftveren keresztül. Ha a felvétel programja kevés szintet mutat, növelheti a mikrofon erősítését a mikrofonon lévő gombon, a rendszerbeállításokon vagy a felvételi szoftveren keresztül.

Szoftver kiválasztása

Számos választási lehetőség van a rögzítő szoftverek terén. Az Audacity, amely ingyenesen elérhető online a <http://audacity.sourceforge.net/> címen, széles körben használt szoftver. Megjegyzés: Először be kell dugni a mikrofont a számítógépbe, majd elindítani a felvételi szoftvert. Előfordulhat, hogy a szoftver nem ismeri fel a mikrofont, ha a mikrofont a szoftver elindítása után csatlakoztatja a számítógéphez.

A mikrofon elhelyezése

A legjobb frekvenciaválasz elérése érdekében fontos, hogy a mikrofon (a némitógommbal ellátott oldal) közvetlenül a felhasználó szájára, énekére, hangszerére vagy bármely más hangforrásra irányuljon. Beszélő/éneklő alkalmazásoknál a mikrofon ideális helyzete közvetlenül a beszélő/éneklő személy előtt van. Ugyanez a pozíció optimális hangszer, például akusztikus gitár, dob vagy zongora feljátszásakor. Tesztelje a mikrofont különböző pozíciókban, hogy megtalálja az adott beállításhoz legmegfelelőbb hangzást.

A mikrofon védelme

Kerülje, hogy a mikrofont hosszabb időre a szabadban vagy olyan helyen hagyja, ahol a hőmérséklet meghaladja a 43 °C-ot. A rendkívül magas páratartalmat szintén kerülni kell.

Válassza ki a kimeneti beállítást

Ha mikrofont csatlakoztat a számítógéphez, az törli a lejátszott hangot bármely más hangfájlból, vagy nincs hang a lejátszáskor, manuálisan ki kell választania a "hangszórót (Realtek High-Definition Audio)", mint alapértelmezett lejátszási eszközt, ha a számítógép hangját a számítógép beépített hangszóróján keresztül szeretné kimeneti.

Műszaki adatok

Tápegység:	5V / 65 mA ± 5 mA
Működési áram:	34 mA
Polar Pattern:	Kardioid
Frekvenciaválasz:	40 Hz - 18 kHz
Érzékenység:	-45 ± 3 dB
S/N arány:	75 dB
Max. SPL:	100 dB

Jótállási feltételek

Az Alza.cz értékesítési hálózatában vásárolt új termékre 2 év garancia vonatkozik. Ha a garanciális időszak alatt javításra vagy egyéb szolgáltatásra van szüksége, forduljon közvetlenül a termék eladóójához, a vásárlás dátumával ellátott eredeti vásárlási bizonylatot kell bemutatnia.

Az alábbiak a jótállási feltételekkel való ellentétnek minősülnek, amelyek miatt az igényelt követelés nem ismerhető el:

- A terméknek a termék rendeltetésétől eltérő célra történő használata, vagy a termék karbantartására, üzemeltetésére és szervizelésére vonatkozó utasítások be nem tartása.
- A termék természeti katasztrófa, illetéktelen személy beavatkozása vagy a vevő hibájából bekövetkezett mechanikai sérülés (pl. szállítás során, nem megfelelő eszközökkel történő tisztítás stb.).
- A fogyóeszközök vagy alkatrészek természetes elhasználódása és öregedése a használat során (pl. akkumulátorok stb.).
- Káros külső hatásoknak való kitétség, például napfény és egyéb sugárzás vagy elektromágneses mezők, folyadék behatolása, tárgyak behatolása, hálózati túlfeszültség, elektrosztatikus kisülési feszültség (beleértve a villámlást), hibás táp- vagy bemeneti feszültség és e feszültség nem megfelelő polaritása, kémiai folyamatok, például használt tápegységek stb.
- Ha valaki a termék funkcióinak megváltoztatása vagy bővítése érdekében a megvásárolt konstrukcióhoz képest módosításokat, átalakításokat, változtatásokat végzett a konstrukción vagy adaptációt végzett, vagy nem eredeti alkatrészeket használt.

EU-megfeleléségi nyilatkozat

A gyártó/importőr meghatalmazott képviselőjének azonosító adatai:

Importőr: Alza.cz a.s.

Bejegyzett székhely: Jankovcova 1522/53, Holešovice, 170 00 Prága 7

IČO: 27082440

A nyilatkozat tárgya:

Cím: Mikrofon

Modell / típus: T683

A fenti terméket az irányelv(ek)ben meghatározott alapvető követelményeknek való megfelelés igazolásához használt szabvány(ok)nak megfelelően vizsgálták:

(EU) 2014/30/EU irányelv

(EU) 2011/65/EU irányelv, a 2015/863/EU módosítással



WEEE

Ez a termék nem ártalmatlanítható normál háztartási hulladékként az elektromos és elektronikus berendezések hulladékairól szóló uniós irányelvnek (WEEE - 2012/19 / EU) megfelelően. Ehelyett vissza kell juttatni a vásárlás helyére, vagy át kell adni az újrahasznosítható hulladékok nyilvános gyűjtőhelyén. Azzal, hogy gondoskodik a termék megfelelő ártalmatlanításáról, segít megelőzni a környezetre és az emberi egészségre gyakorolt esetleges negatív következményeket, amelyeket egyébként a termék nem megfelelő hulladékkezelése okozhatna. További részletekért forduljon a helyi hatósághoz vagy a legközelebbi gyűjtőponthoz. Az ilyen típusú hulladék nem megfelelő ártalmatlanítása a nemzeti előírásoknak megfelelően pénzbírságot vonhat maga után.



Sehr geehrter Kunde,

vielen Dank für den Kauf unseres Produkts. Bitte lesen Sie die folgenden Anweisungen vor dem ersten Gebrauch sorgfältig durch und bewahren Sie diese Bedienungsanleitung zum späteren Nachschlagen auf. Beachten Sie insbesondere die Sicherheitshinweise. Wenn Sie Fragen oder Kommentare zum Gerät haben, wenden Sie sich bitte an den Kundenservice.

✉ www.alza.de/kontakt

☎ 0800 181 45 44

✉ www.alza.at/kontakt

☎ +43 720 815 999

Lieferant Alza.cz a.s., Jankovcova 1522/53, Holešovice, 170 00 Prag 7, www.alza.cz

Was ist in der Schachtel?



1. 3/8" auf 5/8" Adapter und 2. Desktop Boom Arm



3. Mikrofon



4. pop Filter



5. Metallring mit Gewinde



6. C-Klemme

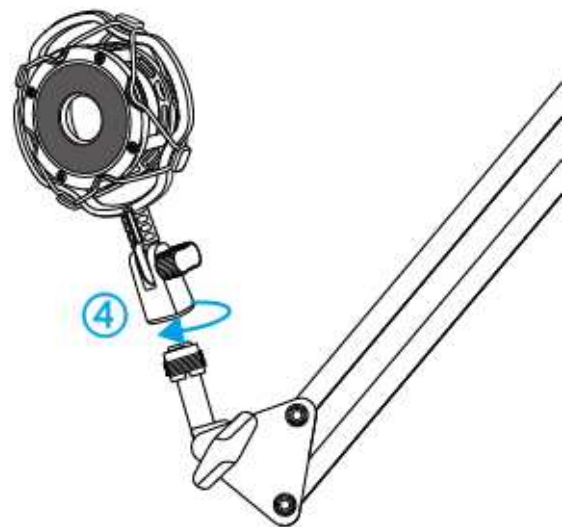
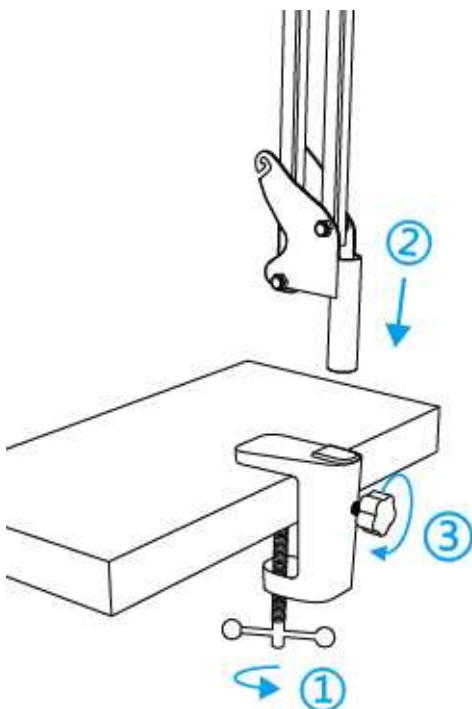


7. 2,5 M USB-Kabel



8. Stoßdämpferhalterung

Mikrofonständer auf dem Tisch installieren



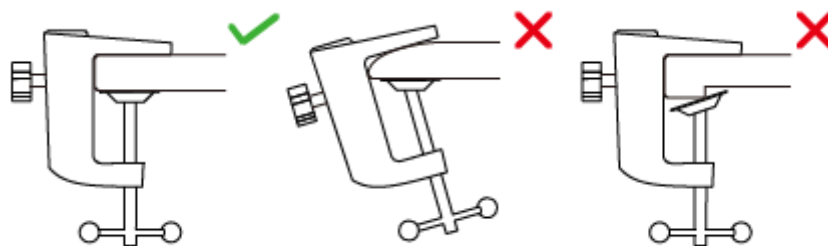
1. Schrauben Sie den unteren Teil der C-Klammer fest und sicher.
2. Stecken Sie den Tischauslegerarm in das Loch
3. Befestigen Sie die Schraube
4. Schockhalterung mit Tischausleger befestigen

Anmerkung:

Drehen Sie den Auslegerarm NICHT, wenn die Schraube der C-Klemme angezogen ist. Lösen Sie zuerst die Schraube, stellen Sie die Position des Arms ein und ziehen Sie sie dann fest.

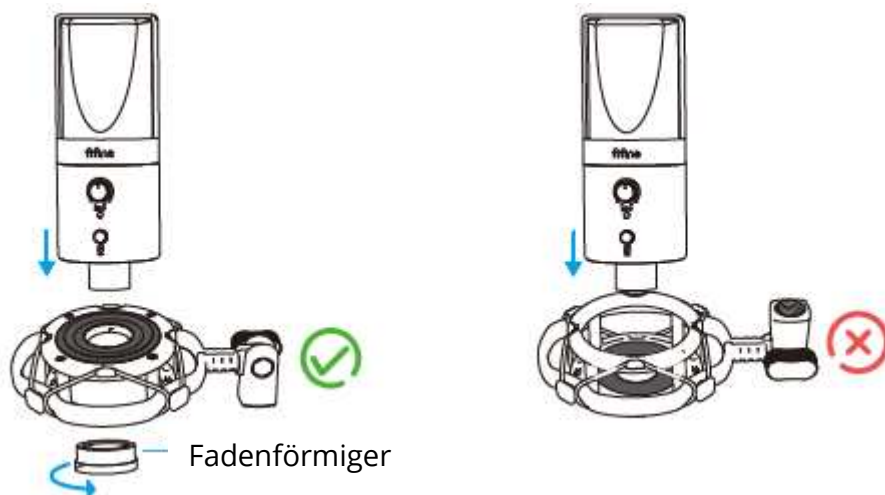
Befestigen Sie die Halterung mit der beiliegenden C-Klemme genau an Ihrem Schreibtisch:

Schrauben Sie die C-Klammer ab und schieben Sie sie über die Seite Ihres Schreibtisches, wobei Sie darauf achten müssen, dass sowohl die Oberseite der C-Klammer als auch die Unterseite auf einer ebenen Fläche aufliegt.



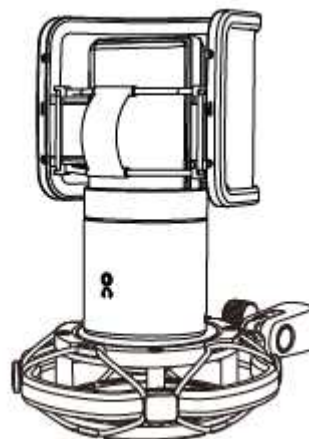
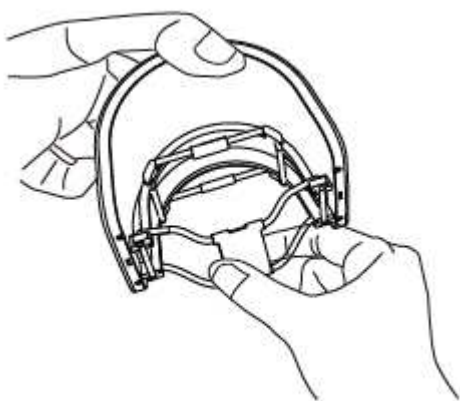
Kurzanleitung zur Installation

1. Schließen Sie das Mikrofon an die Stoßdämpferhalterung an.



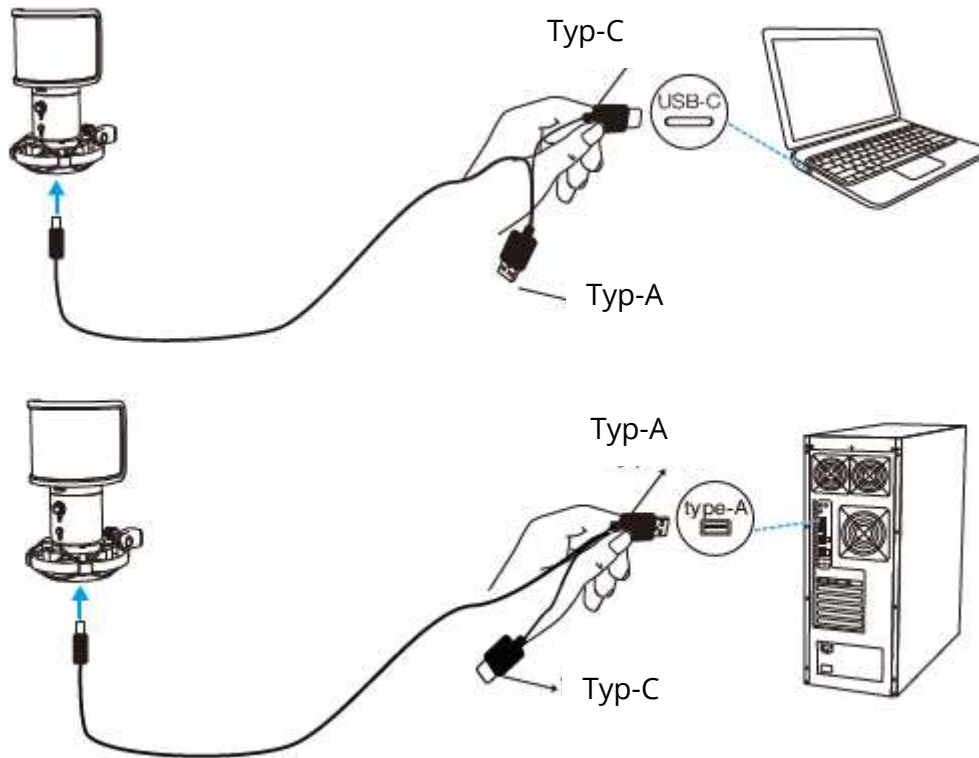
Die Seite der Stoßdämpferhalterung mit dem Gummipolster sollte nach oben zeigen.

2. Mit dem mitgelieferten Pop-Filter können die harten "p"-, "t"- und "b"-Laute herausgefiltert und die Klangqualität verbessert werden.

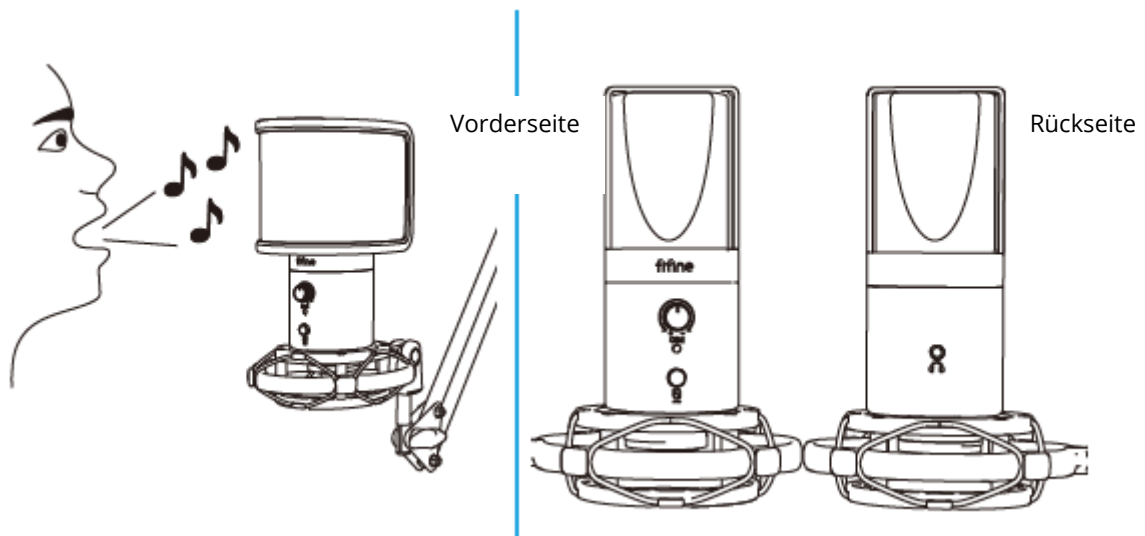


3. Schließen Sie das mitgelieferte USB-Kabel fest an den USB-Ausgang an der Unterseite des Mikrofons an. Stecken Sie den USB-A-Stecker ODER den USB-

C-Stecker in den USB-Anschluss Ihres Computers. Es hängt davon ab, welche Art von USB-Anschlüssen an Ihrem Computer verfügbar ist.



4. Halten Sie die Vorderseite des Mikrofons (die Seite mit dem " " Logo) immer in Richtung der Klangquelle. Sprechen oder singen Sie nicht mit Blick auf die Rückseite des Mikrofons (die Seite mit der Kopfhörerbuchse).



5. Halten Sie die Lautstärke ganz unten, wenn Sie das Mikrofon an den USB-Anschluss anschließen, und drehen Sie die Lautstärke allmählich hoch, um den perfekten Effekt während der Verwendung zu erzielen.

Lautstärkeregelung

Lauter:

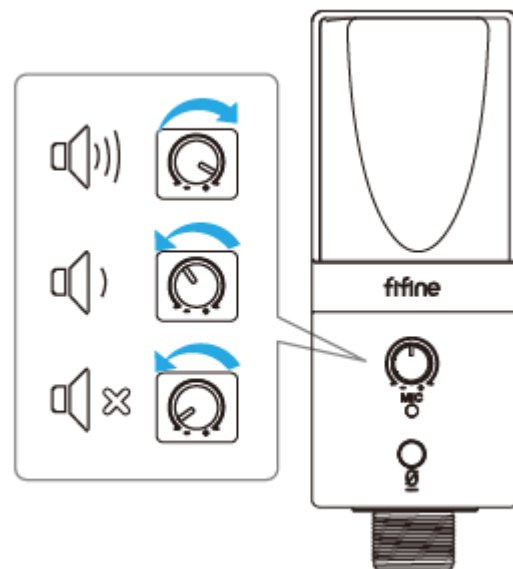
Im Uhrzeigersinn (nach rechts drehen)

Lautstärke runter:

Gegen den Uhrzeigersinn (links drehen)

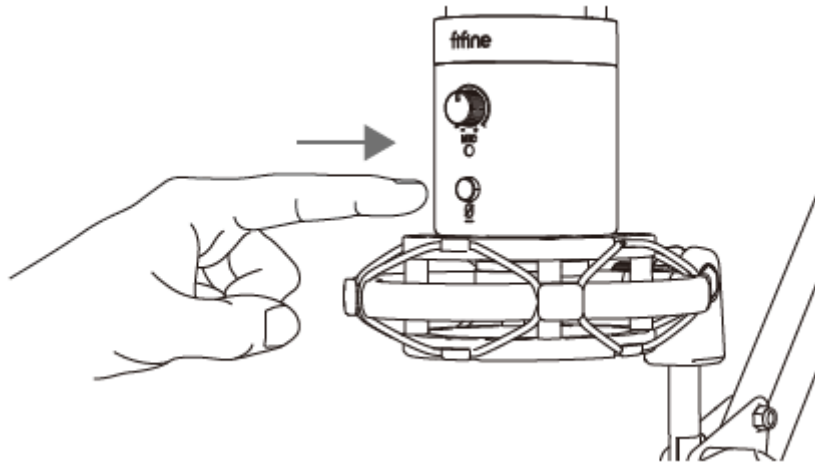
Stummschalten: Gegen den Uhrzeigersinn

(Maximal links drehen)



Stummschalttaste

Drücken Sie die Taste, um das Mikrofon stumm zu schalten bzw. die Stummschaltung aufzuheben.



Rot = Mikrofon ist stummgeschaltet

Grün = Mikrofon ist eingeschaltet

Vergewissern Sie sich, dass die LED-Leuchte grün leuchtet, wenn Sie das Mikrofon verwenden möchten.

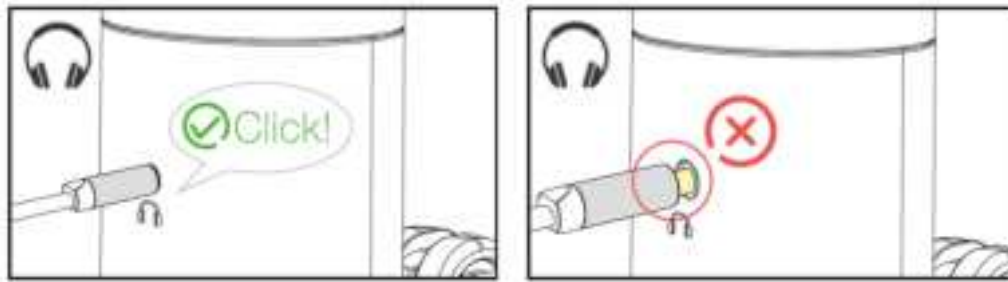
Kopfhörerausgang

Das T683-Mikrofon verfügt über einen standardmäßigen 3,5-mm-Kopfhöreranschluss für die Überwachung und Wiedergabe.

Nachdem Sie das Mikrofon an Ihren Computer angeschlossen und bestätigt haben, dass es das Standard-Eingangs-/Ausgangsgerät Ihres Computers ist, können Sie Ihren Kopfhörer in die Kopfhörerbuchse des Mikrofons einstecken, um Ihre Stimme in Echtzeit zu überwachen oder die Wiedergabe/Computerton zu hören.

Anmerkung:

1. Stellen Sie sicher, dass Ihr Kopfhörer vollständig in die Kopfhörerbuchse des Mikrofons eingesteckt ist.



2. Wenn das Mikrofon eingeschaltet ist (die LED leuchtet grün) und Sie die Mikrofonverstärkung nicht auf Null stellen, hören Sie Ihre Stimme sofort. Sie müssen keine Aufnahmesoftware anmelden (Apple-Macintosh-Systeme) oder auf "Dieses Gerät anhören" klicken. (Windows-Systeme).

3. Sie können die Lautstärke des Computertons anpassen, indem Sie die Ausgangslautstärke in den Toneinstellungen Ihres Computers erhöhen oder verringern.

Computer-Einrichtung

Apple Mac OS

1. Schließen Sie das Mikrofon an den Computer an. Die LED-Anzeige leuchtet sofort grün, was bedeutet, dass das Mikrofon eingeschaltet ist. (Wenn die LED rot leuchtet, drücken Sie die Stummschalttaste, damit sie grün leuchtet.) Ihr Computer installiert automatisch den Treiber für das Mikrofon. Es kann jedoch sein, dass keine Pop-up-Meldung erscheint, die Sie an diesen Vorgang erinnert.

2. Gehen Sie zu den Systemeinstellungen.



3. Klicken Sie auf Ton, um den Einstellungsbereich Ton anzuzeigen.



4. Klicken Sie auf die Registerkarte Eingang und wählen Sie das "FINE 683 Mikrofon" als Gerät für den Toneingang.



5. Sie können das Mikrofon abhören, sobald Sie Ihren Kopfhörer an die Buchse am Mikrofon anschließen. Wenn Sie das Computer-Audio hören und das Mikrofon über Ihren Kopfhörer abhören möchten, klicken Sie bitte auf die Registerkarte "Ausgang" und wählen Sie das "FIFINE 683 Mikrofon" als Ausgabegerät.



Hinweis:

- Wenn Ihr Mac nur über einen USB-C-Anschluss verfügt, schließen Sie das Mikrofon bitte über den USB-C-Anschluss des mitgelieferten USB-Kabels an.
- Das Mikrofon des T683 wird automatisch zum Standard-Ausgabegerät, wenn es an den Mac angeschlossen wird. Bitte ändern Sie das Ausgabegerät zu den internen Lautsprechern, wenn Sie auf die folgenden Probleme stoßen.
 - 1) Die Systemmusik hört plötzlich auf, sobald Sie das Mikrofon an den Computer anschließen.
 - 2) Bei Voice-Chats oder Videoanrufen können die anderen Sie hören, wenn Sie das Mikrofon benutzen, aber Sie können sie nicht hören.
 - 3) Der Computer gibt keinen Ton aus, wenn Sie die Aufnahme abspielen.

Zwei Möglichkeiten zur Audioüberwachung

1. Schließen Sie Ihren Kopfhörer an die Kopfhörerbuchse des Mikrofons an, und Sie können Ihren Ton sofort abhören.
2. Wenn Sie Ihren Kopfhörer an das MacBook anschließen und Ihren Ton abhören möchten, müssen Sie eine beliebige Aufnahmesoftware verwenden. (Nehmen Sie zum Beispiel QuickTime Player).
 - a) QuickTime Player öffnen
 - b) Gehen Sie auf "Datei" -> "Neue Audioaufnahme".
 - c) Klicken Sie auf den Pfeil neben der Schaltfläche Aufnahme. Wählen Sie dann dieses Mikrofon.
 - d) Überwachen Sie Ihren Ton während der Aufnahme. Wählen Sie die Standard-Diktier- und Sprachsoftware, wenn Sie die Sprachausgabe im MacBook verwenden, und klicken Sie im Diktierfenster auf "Ein", damit Ihr Mikrofon von der Software erkannt werden kann.

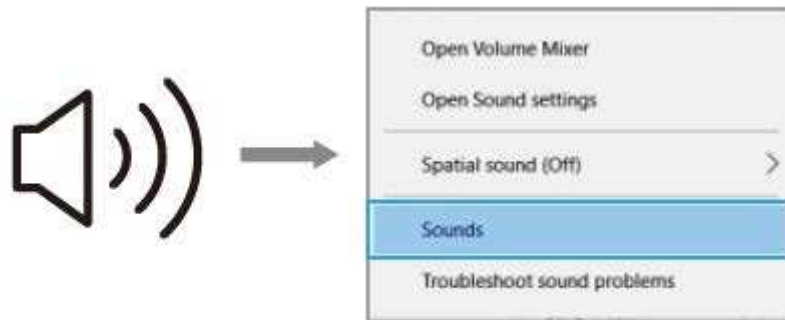


Windows

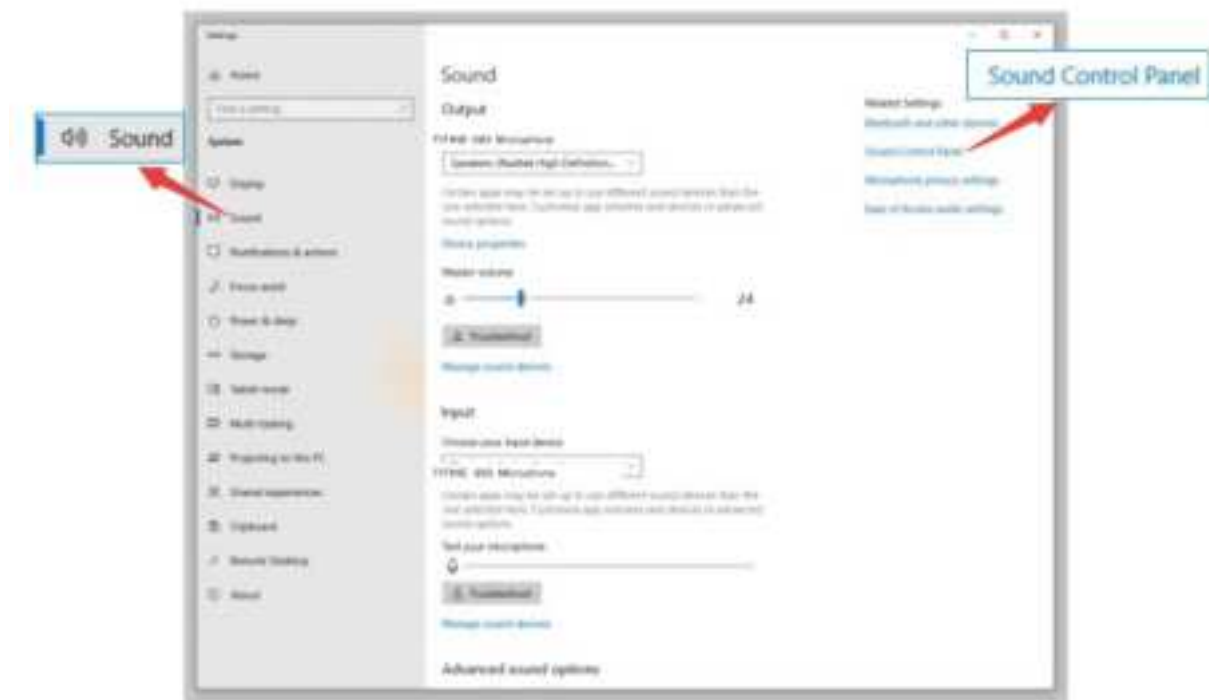
Eingabe-Einstellungen

Schließen Sie das Mikrofon an den Computer an. Die LED-Anzeige leuchtet sofort grün, was bedeutet, dass das Mikrofon eingeschaltet ist. (Wenn die LED rot leuchtet, drücken Sie die Stummschalttaste, damit sie grün leuchtet.) Ihr Computer installiert automatisch den Treiber für das Mikrofon. Es kann jedoch sein, dass keine Pop-up-Meldung erscheint, die Sie an diesen Vorgang erinnert.

1) Klicken Sie mit der rechten Maustaste auf das Lautsprechersymbol unten rechts auf dem Bildschirm. Klicken Sie auf "Sounds" oder "Soundeinstellungen öffnen".



2) Klicken Sie auf das Bedienfeld Ton.



3) Klicken Sie auf die Registerkarte Aufnahme und wählen Sie "FINE 683 Microphone" als Standardgerät. Wenn Sie in das Mikrofon sprechen, wird die Lautstärkeanzeige grün und springt. Wenn die Anzeige unverändert bleibt, setzen Sie den Computer zurück und schließen Sie das Mikrofon erneut an die verfügbaren USB-Anschlüsse des Computers an.



4 Eingangslautstärke einstellen - Doppelklicken Sie auf "FIFINE 6) 83 Microphone", um das Fenster "Microphone Properties" zu öffnen. Klicken Sie mit der rechten Maustaste auf das Lautsprechersymbol unter der Registerkarte "Pegel" und wechseln Sie von Prozent auf Dezibel. Um den besten Klang des Mikrofons zu erhalten, stellen Sie bitte den Mikrofonpegel in diesem Bereich ein (0 dB bis 1 dB), wenn Ihr Lautsprecherausgang auf Maximum eingestellt ist.



Hinweis: Stellen Sie sicher, dass der Mikrofonverstärkungsregler nicht auf Null gedreht ist.

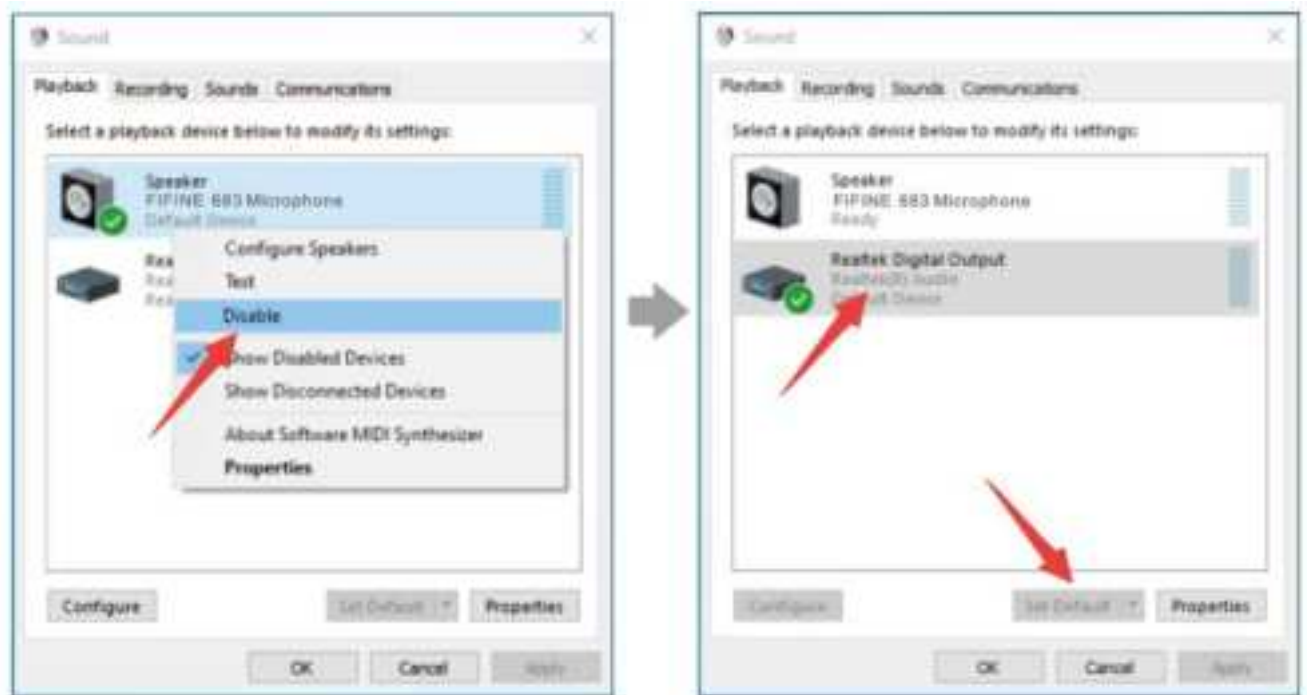
Ausgangseinstellungen

1) Geben Sie das Computer-Audio über die 3,5-mm-Buchse am Mikrofon aus.
Bitte schließen Sie einen Kopfhörer an die Kopfhörerbuchse auf der Rückseite des T683-Mikrofons an. Klicken Sie auf die Registerkarte "Wiedergabe" im Bereich "Ton" und wählen Sie "FIFINE 683 Microphone" als Standardausgabegerät.

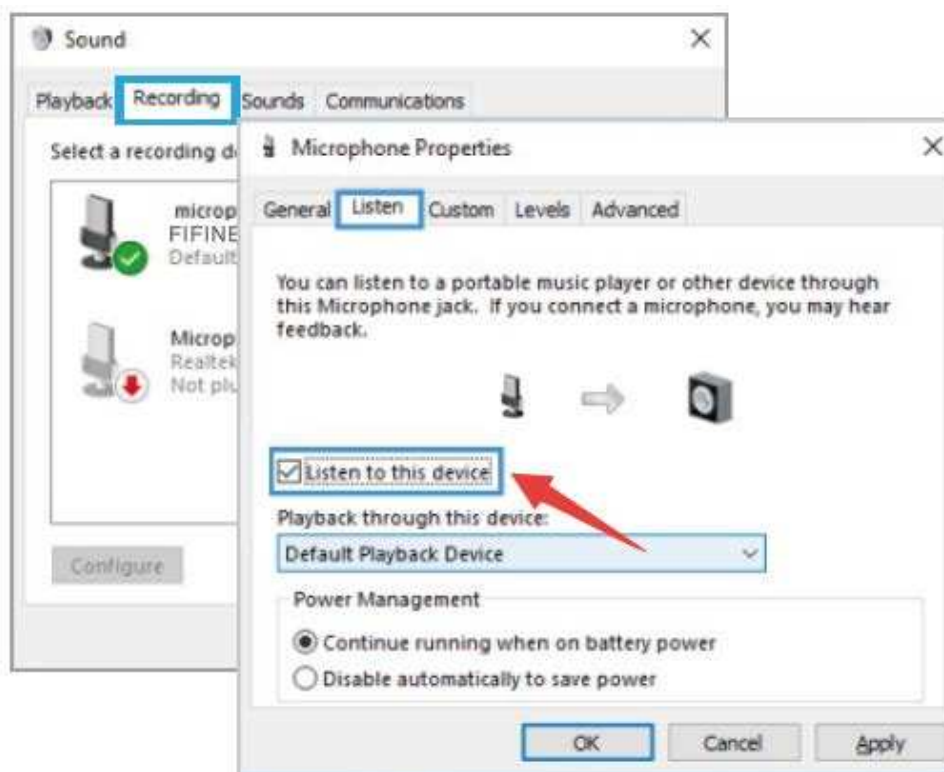


Klicken Sie auf den Lautsprecher (FIFINE 683 Microphone) - Eigenschaften - Pegel und ziehen Sie den Fortschrittsbalken, um die Lautstärke des Ausgangs einzustellen.

2) Geben Sie Audio vom Computer aus.
Klicken Sie auf die Registerkarte "Wiedergabe" im Bereich "Ton" und wählen Sie "Realtek High-Definition Audio" als Standardausgabegerät. Dann hören Sie den Ton des Computers.



Wenn Sie Ihr Mikrofon auch abhören möchten, klicken Sie bitte auf die Registerkarte "Aufnahme" und klicken Sie auf das FIFINE 683 Mikrofon - Eigenschaften - Abhören - markieren Sie das Kästchen "Dieses Gerät abhören" - Übernehmen.



Klicken Sie auf den verwendeten Lautsprecher - Eigenschaften - Pegel, ziehen Sie den Fortschrittsbalken, um die Lautstärke der Ausgabe anzupassen.

Hinweis: (Anwendbar für MAC und Windows)

1. Wenn der Computer meldet, dass er dieses USB-Gerät nicht erkennen kann, starten Sie den Computer neu und stecken Sie das Mikrofon erneut in einen anderen USB-Anschluss.
2. Deaktivieren Sie das Kontrollkästchen "Dieses Gerät abhören", wenn Sie eine Aufnahmesoftware oder eine Chatsoftware (z. B. Skype) verwenden, da Sie sonst doppelten Ton wie ein Echo hören würden.
3. Wenn das Mikrofon erkannt wird, aber kein Ton ausgegeben wird, überprüfen Sie bitte, ob der Systemton stummgeschaltet ist und ob Sie den Regler am Mikrofon auf Minimum gestellt haben. Vergewissern Sie sich, dass die LED-Anzeige grün leuchtet (das bedeutet, dass das Mikrofon eingeschaltet ist).
4. Wenn Ihr Computer unter Windows 10 läuft, gehen Sie bitte zu Einstellungen > Datenschutz > Mikrofon und klicken Sie auf die Option Apps den Zugriff auf das Mikrofon erlauben auf EIN, dann starten Sie neu.

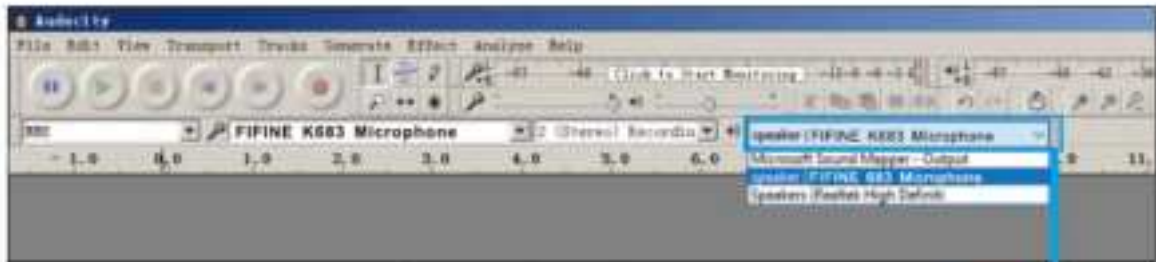
Einstellungen der Aufnahmesoftware

1. Bitte wählen Sie "FIFINE 683 Microphone" als Eingabegerät in den Einstellungen der Aufnahmesoftware. Nehmen Sie zum Beispiel Audacity.

Wenn Sie Ihr Audio über die Kopfhörerbuchse des Computers abhören, wählen Sie bitte "Realtek High-Definition Audio" als Ausgabegerät. Wenn Sie über die Kopfhörerbuchse des Mikrofons abhören, wählen Sie das FIFINE 683-Mikrofon als Ausgang.



Input: FIFINE 683 Microphone



Output: Pls choose correct output

Hinweis: Wenn die Aufnahmesoftware (z. B. Audacity) das Mikrofon nicht erkennt, loggen Sie die Software bitte zuerst aus, schließen Sie das Mikrofon erneut an den Computer an und starten Sie die Software erneut. Dann wird das Mikrofon in der Dropdown-Option für das Eingabegerät angezeigt.

2. Vergewissern Sie sich, dass Sie das Kontrollkästchen "Auf diesem Gerät hören" im Soundsystem deaktivieren, wenn Sie eine Aufnahmesoftware verwenden, da Sie sonst das Duett von sich selbst als zu viel Echo hören würden.



3. Es gibt mehrere Möglichkeiten, die Aufnahme mit Audacity zu verbessern. Besuchen Sie <https://fifinmicrophone.com/blogs/news>, um eine bessere Lösung zu finden, oder suchen Sie in unseren Blogs nach dem Thema, das Sie interessiert.

4. Für Windows-Computer empfehlen wir die Verwendung von Audacity. Für Apple-Computer können Sie den QuickTime Player verwenden, um die Aufnahme zu testen.

Wichtiger Hinweis

Einstellen der Lautstärkepegel

Die korrekte Einstellung des Mikrofonpegels ist wichtig für eine optimale Leistung. Idealerweise sollte der Mikrofonpegel so hoch wie möglich sein, ohne den Eingang Ihres Computers zu übersteuern. Wenn Sie Verzerrungen hören oder Ihr Aufnahmeprogramm Pegel anzeigt, die konstant übersteuert sind (bei Spitzenpegeln), drehen Sie die Mikrofonverstärkung (oder den Pegel) herunter, entweder über den Regler am Mikrofon, die Systemeinstellungen oder über Ihre Aufnahmesoftware. Wenn Ihr Aufnahmeprogramm einen unzureichenden Pegel anzeigt, können Sie die Mikrofonverstärkung entweder über den Regler am Mikrofon, die Systemeinstellungen oder über Ihre Aufnahmesoftware erhöhen.

Auswahl der Software

Es gibt viele verschiedene Aufnahmesoftwares. Eine weit verbreitete Software ist Audacity, die kostenlos unter <http://audacity.sourceforge.net/> erhältlich ist. Hinweis: Sie müssen das Mikrofon erst an den Computer anschließen und dann die Aufnahmesoftware starten. Die Software erkennt das Mikrofon möglicherweise nicht, wenn Sie das Mikrofon erst nach dem Start der Software an den Computer anschließen.

Positionierung des Mikrofons

Um den besten Frequenzgang zu erzielen, ist es wichtig, dass die Mikrofonkapsel (die Seite mit der Stummschalttaste) auf den Mund des Benutzers, das Instrument oder eine andere Schallquelle gerichtet ist. Für Sprech-/Gesangsanwendungen ist die ideale Position des Mikrofons direkt vor der Person, die spricht/singt. Die gleiche Position ist optimal, wenn ein Instrument wie eine akustische Gitarre, ein Schlagzeug oder ein Klavier abgenommen wird. Testen Sie das Mikrofon in verschiedenen Positionen, um den besten Klang für Ihr spezielles Setup zu finden.

Schutz für Ihr Mikrofon

Vermeiden Sie es, das Mikrofon für längere Zeit im Freien oder in Bereichen mit Temperaturen über 43° C (110° F) aufzustellen. Auch eine extrem hohe Luftfeuchtigkeit sollte vermieden werden.

Wählen Sie Ihre Ausgabeeinstellung

Wenn Sie ein Mikrofon an Ihren PC anschließen, wird der Ton einer anderen abgespielten Audiodatei unterdrückt, oder es gibt keinen Ton bei der Wiedergabe. Sie müssen manuell den "Lautsprecher (Realtek High-Definition Audio)" als Standard-Wiedergabegerät auswählen, wenn Sie Computer-Audio über den im Computer integrierten Lautsprecher ausgeben möchten.

Spezifikationen

Stromversorgung:	5V / 65 mA \pm 5 mA
Betriebsstrom:	34 mA
Richtcharakteristik:	Kardioide
Frequenzgang:	40 Hz - 18 kHz
Empfindlichkeit:	-45 \pm 3 dB
S/N-Verhältnis:	75 dB
Max. SPL:	100 dB

Garantiebedingungen

Für ein neues Produkt, das im Vertriebsnetz von Alza gekauft wurde, gilt eine Garantie von 2 Jahren. Wenn Sie während der Garantiezeit eine Reparatur oder andere Dienstleistungen benötigen, wenden Sie sich direkt an den Verkäufer des Produkts, Sie müssen den ursprünglichen Kaufbeleg mit dem Kaufdatum vorlegen.

Die folgenden Punkte gelten als Widerspruch zu den Garantiebedingungen, für die der geltend gemachte Anspruch nicht anerkannt werden kann:

- Verwendung des Produkts für einen anderen Zweck als den, für den es bestimmt ist, oder Nichtbeachtung der Anweisungen für Wartung, Betrieb und Service des Produkts.
- Beschädigung des Produkts durch eine Naturkatastrophe, das Eingreifen einer unbefugten Person oder mechanisch durch Verschulden des Käufers (z.B. während des Transports, Reinigung mit unsachgemäßen Mitteln usw.).
- Natürliche Abnutzung und Alterung von Verbrauchsgütern oder Bauteilen während des Gebrauchs (z. B. Batterien usw.).
- Einwirkung schädlicher äußerer Einflüsse, wie z. B. Sonnenlicht und andere Strahlungen oder elektromagnetische Felder, Eindringen von Flüssigkeiten, Eindringen von Gegenständen, Netzüberspannung, elektrostatische Entladungsspannung (einschließlich Blitzschlag), fehlerhafte Versorgungs- oder Eingangsspannung und falsche Polarität dieser Spannung, chemische Prozesse wie z. B. gebrauchte Netzteile usw.
- Wenn jemand Modifikationen, Änderungen am Design oder Anpassungen vorgenommen hat, um die Funktionen des Produkts im Vergleich zum gekauften Design zu verändern oder zu erweitern, oder wenn er nicht originale Komponenten verwendet hat.

EU-Konformitätserklärung

Angaben zur Identifizierung des bevollmächtigten Vertreters des Herstellers/Importeurs:

Importeur: Alza.cz a.s.

Eingetragener Sitz: Jankovcova 1522/53, Holešovice, 170 00 Prag 7

ID-Nummer: 27082440

Gegenstand der Erklärung:

Titel: Mikrofon

Modell / Typ: T683

Das oben genannte Produkt wurde nach der/den Norm(en) geprüft, die zum Nachweis der Einhaltung der in der/den Richtlinie(n) festgelegten grundlegenden Anforderungen verwendet wurde(n):

Richtlinie Nr. (EU) 2014/30/EU

Richtlinie Nr. (EU) 2011/65/EU in der Fassung 2015/863/EU



WEEE

Dieses Produkt darf gemäß der EU-Richtlinie über Elektro- und Elektronik-Altgeräte (WEEE - 2012/19 / EU) nicht über den normalen Hausmüll entsorgt werden. Stattdessen muss es an den Ort des Kaufs zurückgebracht oder bei einer öffentlichen Sammelstelle für wiederverwertbare Abfälle abgegeben werden. Indem Sie sicherstellen, dass dieses Produkt ordnungsgemäß entsorgt wird, tragen Sie dazu bei, mögliche negative Folgen für die Umwelt und die menschliche Gesundheit zu vermeiden, die andernfalls durch eine unsachgemäße Abfallbehandlung dieses Produkts verursacht werden könnten. Wenden Sie sich an Ihre örtliche Behörde oder an die nächstgelegene Sammelstelle, um weitere Informationen zu erhalten. Die unsachgemäße Entsorgung dieser Art von Abfall kann gemäß den nationalen Vorschriften zu Geldstrafen führen.

