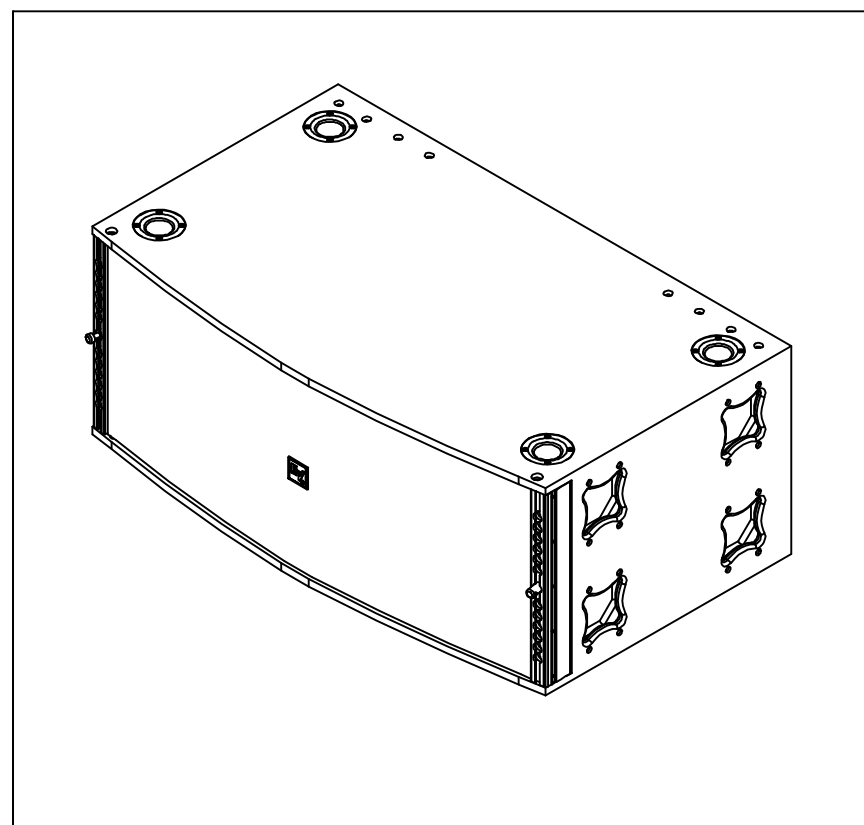




Electro-Voice®
 TELEX/EVI Audio
 600 Cecil Street
 Buchanan, Michigan 49107
 Phone: 616-695-6831
 FAX: 616-695-4743

SERVICE DATA

XVLS
 (1153-3344)



PARTS LIST

QUANTITIES SHOWN ARE FOR ONE COMPLETE UNIT

ITEM	PART NO.	QTY.	DESCRIPTION
1	85824-EG	1	ENCL S/A, XVLS
2	85825	1	GRILLE S/A, XVLS, FRONT, 50.088 X 17.86" (NAMEPLATE INCLUDED)
3	49116	1	NAMEPLATE, EV LOGO, 2" SQUARE, WH ON BLK
4	63372-CP	10	SCR, 10-24 X 1/2, PAN HD, XREC, STL, BLK ZINC
5	38809	18	WASHER, .188 X .500 X .063T, FLT, BLK NYLON
6	301520	2	EVX155RMD - PLATE WOOFER S/A
7	300993-101	2	ND08, 8" LOUDSPEAKER, SYSTEMS, NO FINISH, SINGLE PKG
8	63349-CP	24	SCR, 1/4 X 20 X 1-1/4, HEX SKT HD, CAP, BLK ZINC
9	85826	1	PANEL, INPUT S/A, XVLS
10	63075-CP	8	SCR, 8-15 X 3/4, OVL HD, XREC, TYPE A, STL
11	28333	4	FOOT, ALIGNMENT, MALE
12	28334	4	FOOT, ALIGNMENT, FEMALE
13	63371-CP	32	SCR, 8-15 X 1/2, PAN HD, XREC, TYPE A, STL, BLK ZINC
14	701327-001	1	DOLLY PIN 1, BLACK ANODIZE
15	701328-001	1	DOLLY PIN 2, BLACK ANODIZE
16	11664-C	2	PLASTIC, EXTRUSION TRIM
17	63364-CP	10	SCR, 8-32 X 1/2, PAN HD, XREC, TAPPING, TYPE T, STL, BLK ZINC
18	800611	2	HORN FLARE S/A, XVLS
19	63366-CP	10	SCR, 8-32 X 3/4, TRS HD, XREC, STL, BLK ZINC
20	38865	10	WASHER, .171 X .375 X .062T, FLAT, NYLON, BLK
21	800594	3	LENS ASSY, HYDRA
22	301164-000	3	ND5A-16, NEO 3"DIA, 1.4" EXIT SYS
23	701323-001	1	BRKT, THROAT, PAINTED
24	701324	1	BRACKET, DRIVER, XVLS
25	63301-CP	12	SCR, 10-24 X 3/4, FLT HD, XREC, TYPE II, STL, BLK ZINC
26	38843-CP	24	WASHER, .250 X .562 X .065, FLT, STL, BLK ZINC
27	20637-CL	12	NUT, 10-24, HEX, NYLON INSERT LOCKING, ZINC CLR
28	63179-CP	12	SCR, 1/4-20 X 1-1/2, HEX SKT HD, CAP
29	28322	3.31LF	TAPE, FOAM (ISP#V-710), CLOSED CELL, .50 X .079THK
30	590959	3	GASKET, HORN
31	500289-000	15	FOAM, BLOCK, ACOUSTIC LENS, X-LINE
32	591059-000	2.979LF	TAPE, FOAM, 1.25 X .25 THK, LUNDELL #47590125 FOAM W/#1123 ADH
33	591027-001	4	TUBE, GUM RUBBER, .188 ID, .062 WALL, ATLANTIC RUBBER #188X062BL
34	607214-LCP	14	SCR, 10-24 X 7/8, PAN HD, XREC, STL, BLK ZINC
35	74487	2	FOAM, MIDBASS HORN, WALL, RIGHT, 220 ETHAFOAM, BLK
36	74490	2	FOAM, MIDBASS, HORN WALL, LEFT, 220 ETHAFOAM, BLK
37	590924	1	FOAM, MIDBASS TRANSITION, MIDDLE
38	62978-CP	14	SCR, 10-16 X 1, OVL HD, XREC, TYPE 1, TYPE AB, STL, BLK ZINC
39	38678	14	WASHER, #10, CSUNK, FINISHING, NYLON, BLK
40	535908	1	LABEL, RIGGING, X-LINE (NOT SHOWN)
41	535910	5	LABEL, WIRING, XVLS & XVLT (NOT SHOWN)
42	28347	16.2LF	TAPE, FOAM, .50 X .063THK, #V1515A3, CLSD CELL, BLK MYLAR BACK
43	585036-000	4	SCR, 10-16 X 1 3/4, X-REC, TYPE AB, SELF-TAPPING, OVL HD STL BLK ZINC
44	74485	2	FOAM, MIDBASS TRANSITION, 220 ETHAFOAM, BLK
ADHESIVES			
A	97282		LOCTITE, #242

